

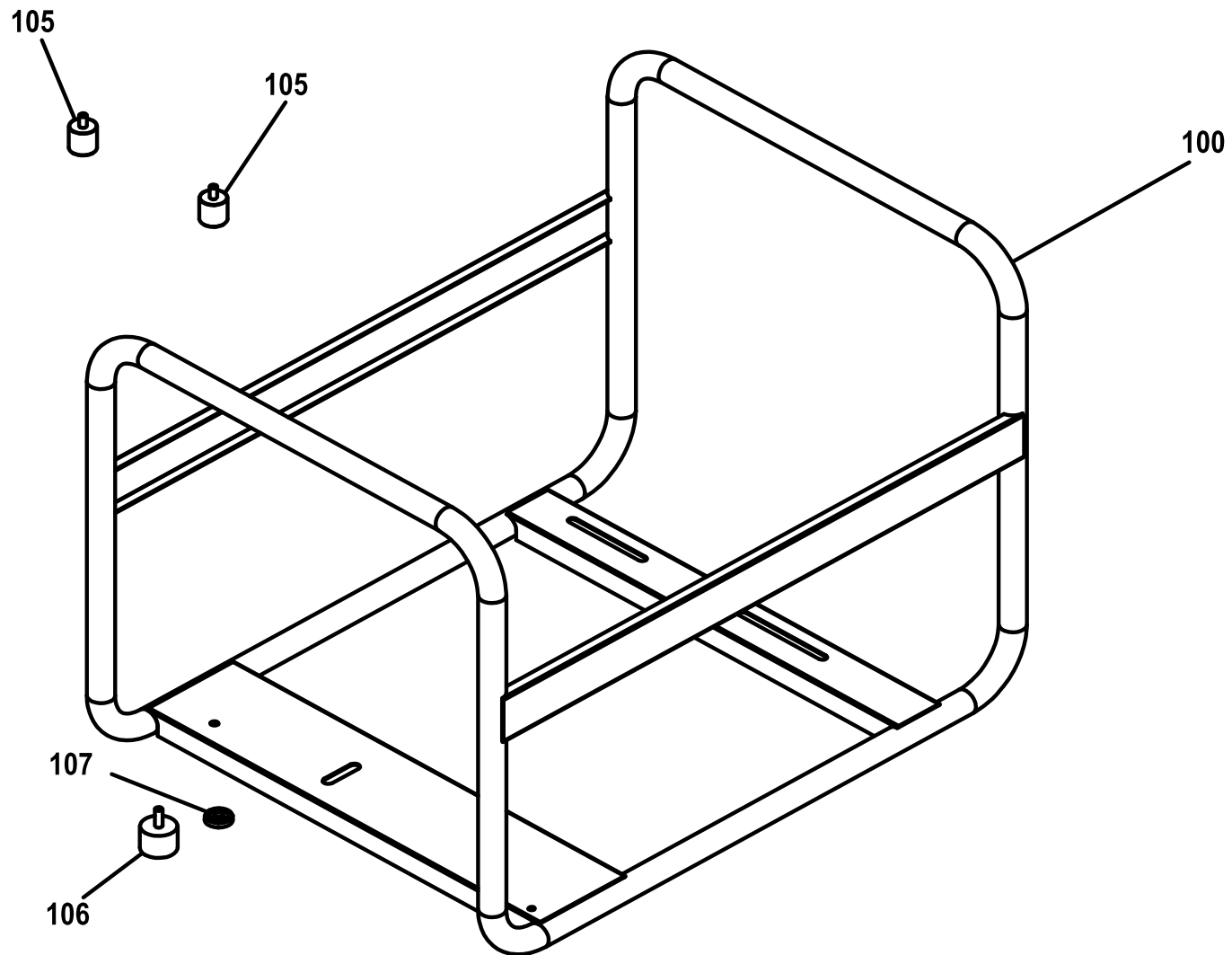
Spare Parts Catalogue

W220DC

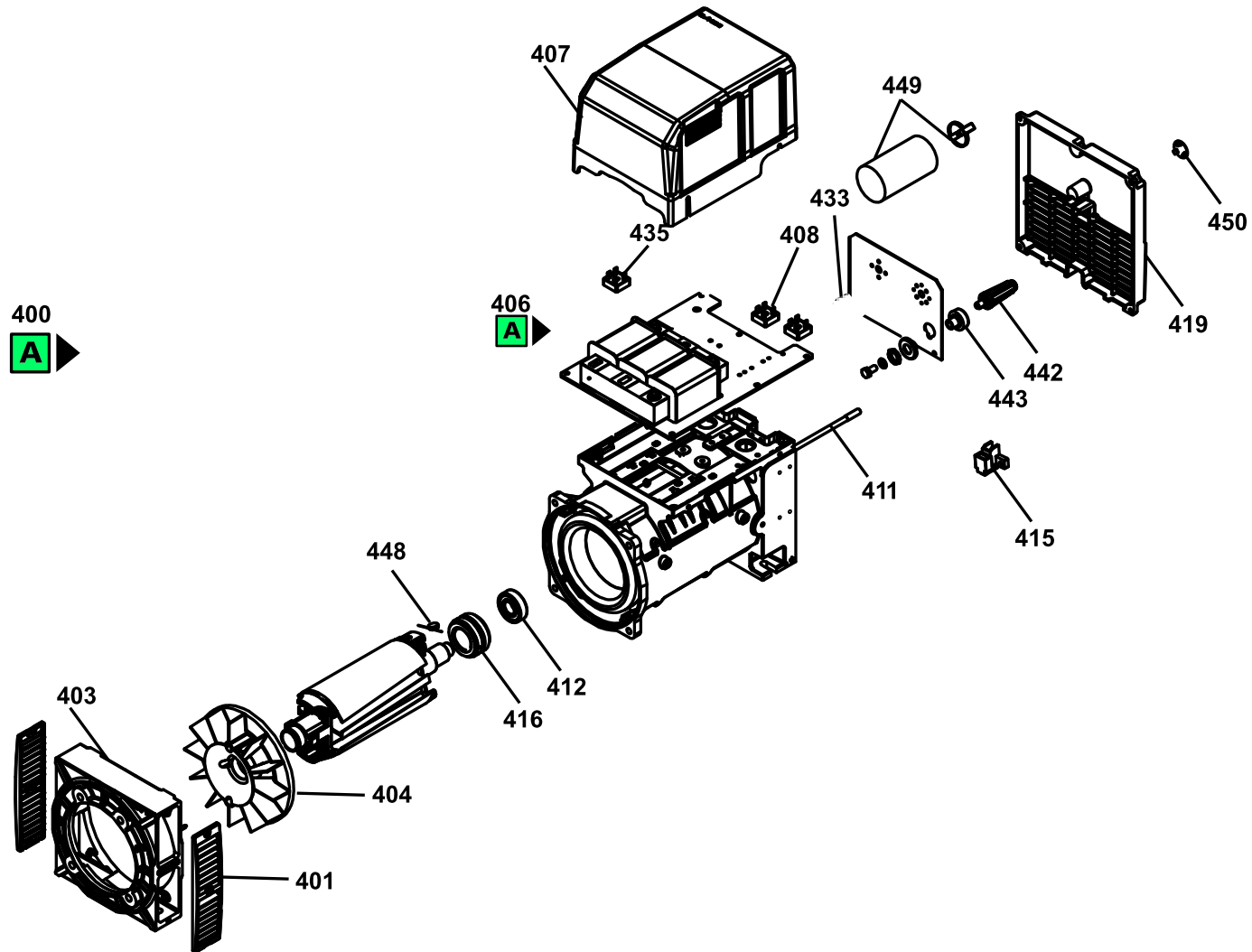
Motorwelders

Valid for machine code: LA220CHI000

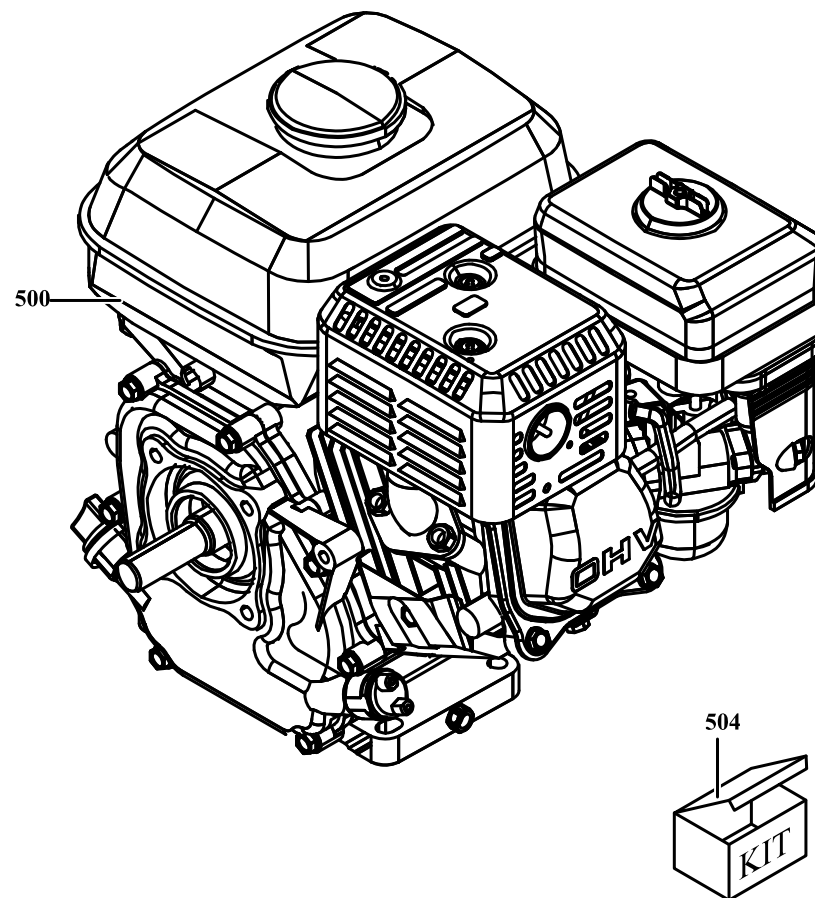
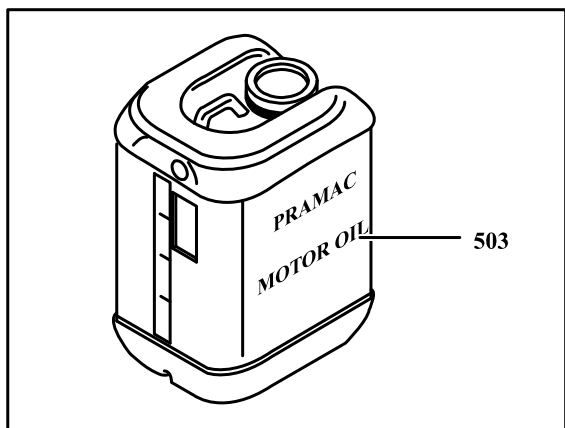
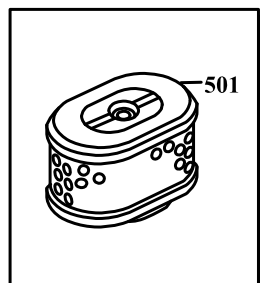
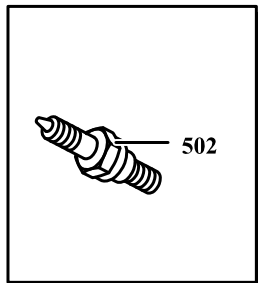
Revision: 0 (07/2015)



POSITION	PART NUMBER	DESCRIPTION	NOTES
100	VA10005020-PRAMACB	TELAIO W180-W220 VERNICIATO	
105	G052112	CYLINDRIC SILENT-BLOCK MF-30x30-M8x15-M8-60	
106	G052116	CYLINDRIC SILENT-BLOCK MF-40x45-M10x25-M10-45	
107	SA40023901	SPACER 6 mm NYLON SNAP-IN	



POSITION	PART NUMBER	DESCRIPTION	NOTES
400	ANV220SB0EAAZ	ALTERNATOR WS220TDC 6,5/230/400/50/3000 J609b - COVER 1 CEE 400V 16A + 1 CEE 230V 16A + 1 SCHUKO + 1 THREE PHASE BREAKER WITH IP PROTECTION + IP23 - NSM	
401	PAN1GGA10010	RETE DI PROTEZIONE	
403	PAN3SLA10012	SCUDO ANTERIORE J609	
404	PAN1VGA10003	FAN	
406	PAN00039	COMPLETE IMPEDANCE SET WS220TDC	
407	PAN1GGA10013	CUFFIA CHIUSA SUPERIORE ALTA PER T100/M100	
408	PAN00042	PONTE RADDRIZZATORE	
411	PAN00034	TIRANTE CENTRALE WS220TDC	
415	G70181	BRUSHES SET EG3-A L=300	
416	PAN00037	SLIP RING	
433	PAN00041	COMMUTATORE GENERATORE/SALDATRICE 10A 250V	
435	PAN00043	PONTE RADDRIZZATORE 35A	
442	PAN00036	WELDING PLUG	
443	PAN00035	WELDING SOCKET	
448	PANKVZ12A420	VARISTOR	
449	PAN7MEI0005	Welding current control selector	



POSITION	PART NUMBER	DESCRIPTION	NOTES
500	EHA130BB33X	Engine Honda GX390UT2 VXB9 Air_3000_Mech_J609b-_Handstart__Ver/Sp:	
501	PEH17210-ZE3-505	AIR FILTER GX390 GX270 EX REF: ZE3-010	
502	PEH98079-56876	SPARK PLUG	
503	P3KI00299	Kit Pramac Power	
504	P3KI00007	MAINTENANCE KIT E8000-ES8000-EXP. HGW180-HGW210-W170-W210-PW240-PW3000	