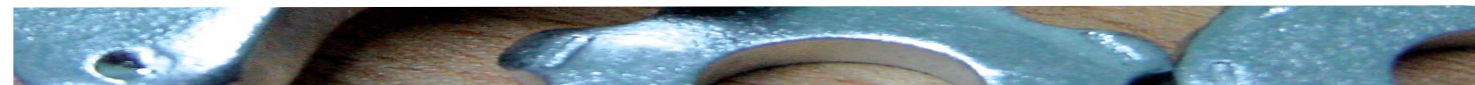


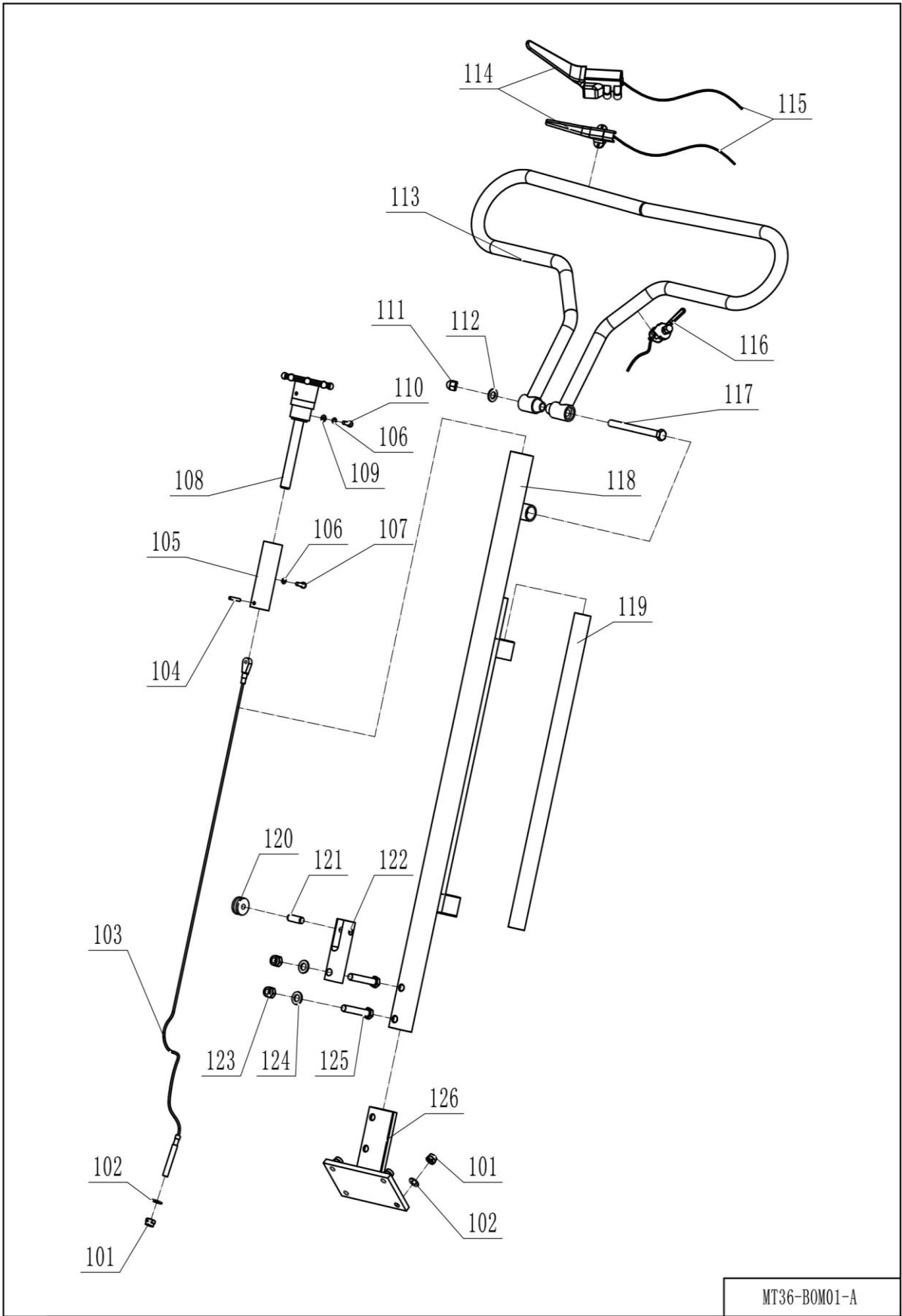


**MASALTA®**



# **PARTS MANUAL WALK-BEHIND POWER TROWEL MT36**



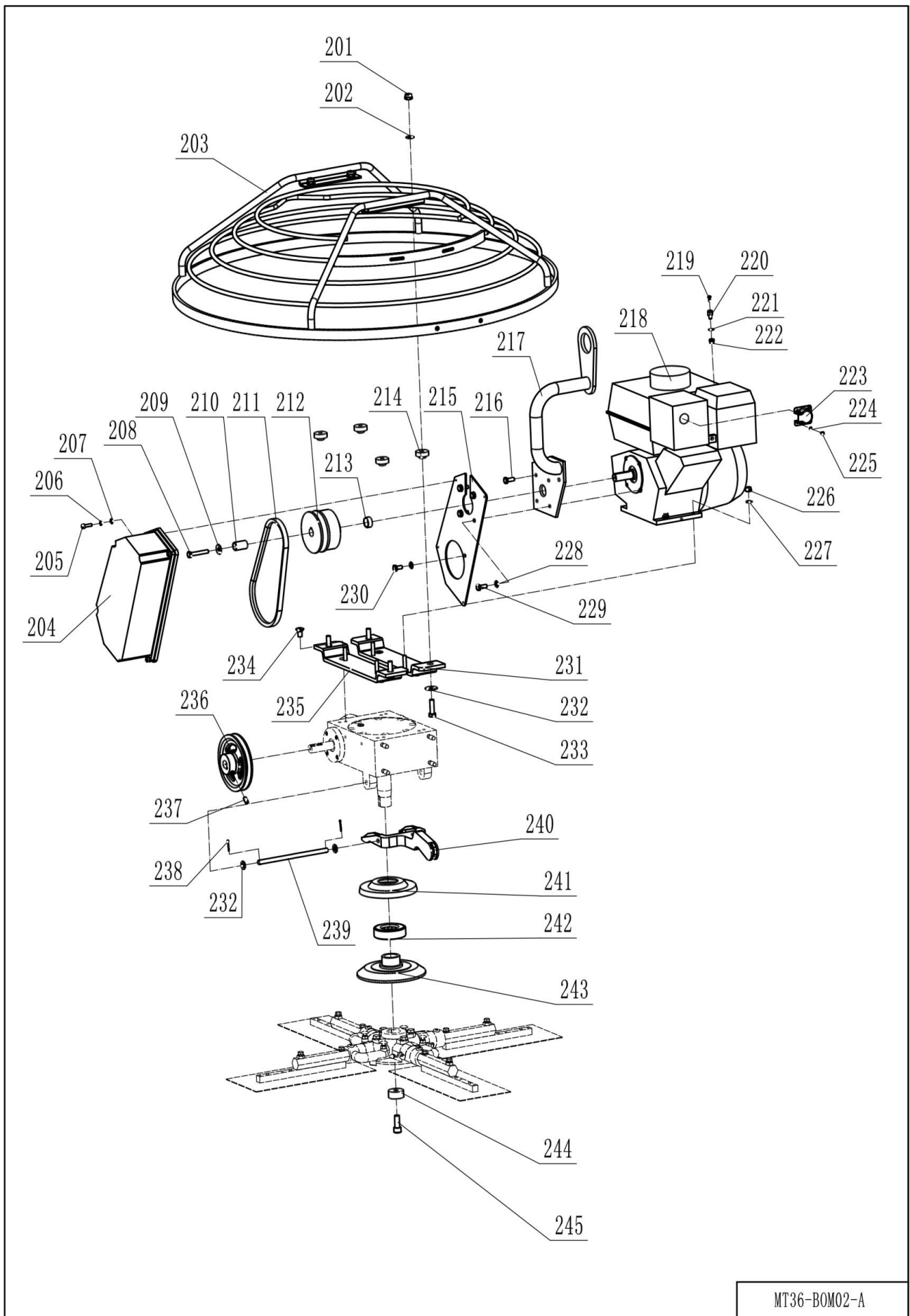


MT36-BOM01-A

**PARTS LIST 1**  
**MT36**

MT36-BOM01-A

ITEM NO.	PART NO.	DESCRIPTION	ERP NO.	QUANTY	REMARK
101	GB889.1-M10	LOCK SCREW $\Phi$ 10	20405006	5	
102	GB97.1-10	WASHER $\Phi$ 10	20501009	5	
103	MT36-05-03-02	WIRE. MT36	40101069	1	
104	GB879-6x35	RELISIENT PIN	20802301	1	
105	MT36.42.46-05-03-01	SCREW	40706007	1	
106	GB93-6	SPRING WASHER	20509004	2	
107	M6x8	SCREW	20306049	1	
108	MT36-05-02-00	TROWEL CONTROL ASSY.	54601125	1	
109	GB97.1-6	SPACER	20501005	1	
110	GB5783-M6x12	BOLT M6	20102051	1	
111	GB923-M12	COVER NUT	20415008	1	
112	GB97.1-12	WASHER 12	20501024	1	
113	MT36.42.46-05-06-04	ROUND HANDLE ASSY.	40305109	1	
	MT36.42.46-05-06-04-SJ	TRIANGULAR HANDLE ASSY.	40305131	1	
114	MT36-05-06-05W	SAFETY STOP SWITCH ASSY.	54601013	1	OLD
	MT. XHKG-170	ON-OFF SWITCH	41403100	1	NEW
115	MT360100039	CABLE ASSY.	54601161	1	
116	MT36.42.46-05-07-01ZJ	TROLLEY CONTROL ASSY.	54601156	1	
	MT36/42/46-05-07-01	TROLLEY CONTROL ASSY. FOR (3301)	41404015	1	3301
	MT36-05-07-01 (EY20)	TROLLEY CONTROL ASSY. FOR EY20	41404016	1	EY20
117	GB5782-M12x130	BOLT M12	20101115	1	
118	MT36-05-01-00	HANDLE LEVER ASSY.	54601008	1	
119	MT36-05-01-06	LIFT ROD (MT36)	40408006	1	
120	MT36-05-03-04	PULLEY	41405019	1	
121	GB119-10x35	PIN	20801006	1	
122	MT36.42.46-05-03-03	PULLEY TRACKET	40203315	1	
123	GB889.1-M12	LOCK SCREW M11	20405007	2	
124	GB97.1-12	WASHER 12	20501010	2	
125	GB5782-M12x70	BOLT M12x70	20101099	2	
126	MT36-05-04-01	JUNCTION PLATE	40201085	1	



MT36-BOM02-A

**PARTS LIST 2**  
**MT36**

MT36-BOM02-A

ITEM NO.	PART NO.	DESCRIPTION	ERP编号	QTY	REMARK
201	GB889.1-M10	LOCK SCREW M10	20405006	4	
202	GB97.1-10	WASHER 10	20501009	4	
203	MT36-01-00-00	PROTECTIVE RING ASSY.	40302067	1	
	MT36-01-00-BY	PROTECTIVE RING ASSY. (FOR TROLEY WHEEL)	40302068	1	
204	MT36-06-00-03	BELT GUARD	40301075	1	
205	GB70.1-M6x20	SCREW M6X20	20306069	4	
	GB70.1-M6x25	SCREW M6X25	20306077	4	
206	GB93-6	SPRING WASHER 6	20509022	4	
207	GB97.1-6	WASHER 6	20501023	4	
208	GB5783-M8x50	BOLT	20102110	1	
	GB5783-M8x60	BOLT	20102112	1	
	5/16-24x38	BOLT (Q)	20109036	1	
	5/16-24x45	BOLT (Q)	20109032	1	
	7/16-20x25	BOLT (Q)	20109030	1	
209	8x30x3	FLAT WASHER	20504011	1	
	GB96.1-12	BIG WASHER	20504006	1	
210	MT36-02-00-07G	PIPE FOR CLUTCH (S ENGINE)	41004010	1	
	MT36-02-00-07Y	PIPE FOR CLUTCH (Q ENGINE)	41004012	1	
	MT36-02-00-07C.GZ	LONGER PIPE FOR CLUTCH	40504193	1	
	MT36-02-00-07C.YZ	LONGER PIPE FOR CLUTCH	40504191	1	
211	AV660Li	A-BELT	21201158	1	
	A650Li	A-BELT	82202013	1	
	AV710Li	A-BELT	21201161	1	
212	MT36-02-00-00G	CLUTH ASSY. (S ENGINE)	54601002	1	
	MT36-02-00-00Y	CLUTCH ASSY. (Q ENGINE)	54601105	1	
213	MT36-06-00-04G	CLUTCH ADJUSTING SLEEVE	40504134	1	
	MT36-06-00-04Y	CLUTCH ADJUSTING SLEEVE	40504160	1	
	MT36-06-00-04C.GZ	CLUTCH ADJUSTING SLEEVE (LONGER)	40504192	1	
	MT36-06-00-04C.YZ	CLUTCH ADJUSTING SLEEVE (LONGER)	40504190	1	
214	MT36-11-01-01	VIBRATION DAMPER	41201126	4	
215	MT36-06-00-02	MOUNTING PLATE, BELT GUARD	40206102	1	
216	GB70.3-M8x20	SUNK SCREW M8	20308111	2	
	5/16-24x25	SUNK SCREW (Q)	99901044	2	
217	MT36-B-DG	LIFTING HOOK	54601098	1	
	GX160H1-SX	HONGA ENGINE GX160H1 SX	41401013	1	
	GX160UT2-SX4	HONGA ENGINE GX160UT2 SX4	41401001	1	
	EX17	ROBIN EX17	41401024	1	
	EY20	ROBIN EY20	41401029	1	

**PARTS LIST 2**  
**MT36**

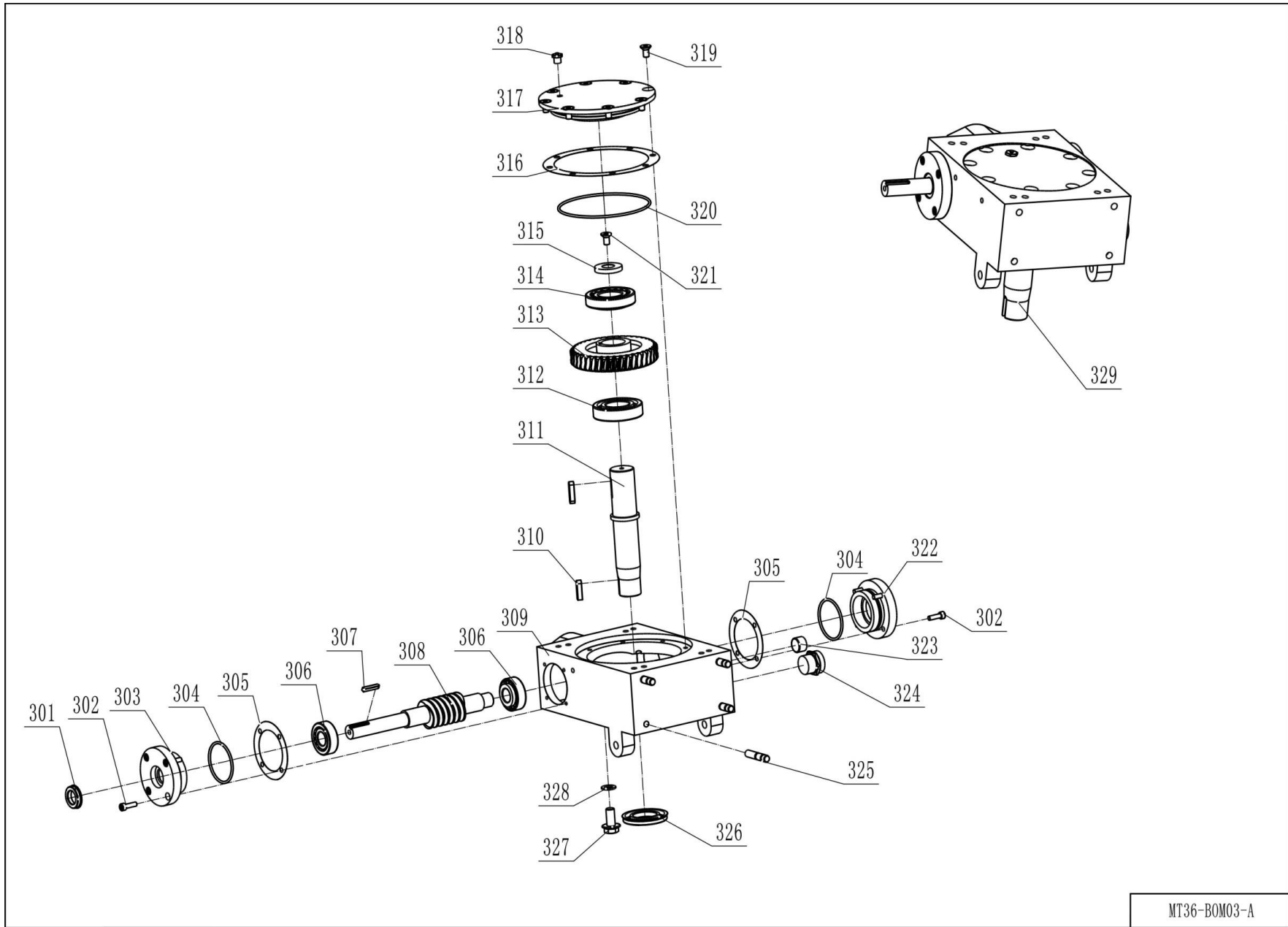
MT36-BOM02-A

ITEM NO.	PART NO.	DESCRIPTION	ERP编号	QTY	REMARK
218	GX200U-SM14	HONDA GX200 SM14	41401012	1	
	GX160H1-QX	HONDA GX160H1 QX	41401014	1	
	GX160UT2-QX4	HONDA GX160UT2 QX4	41401002	1	
	G200F	HONDA G200F	41401042	1	
	GX270H-SH	HONDA GX270H SH	41401016	1	
	GX270U-QA2	HONDA GX270U QA2	41401003	1	
	G270F	LONCIN G270F	41401095	1	
219	GB818-M3x8	SCREW M3X8	20301010	1	
220	MT36-05-07-02	BOLT	40203310	1	
221	GB97. 1-5	WASHER 5	20501021	1	
222	GB889. 1-M5	LOCK NUT M5	20405021	1	
223	MT36-11-04-01	GUIDE COVER (MT36)	40204074	1	
224	GB93-4	SPRING WASHER 4	20509001	2	
225	GB818-M4x8	SCREW M4X8	20301001	2	
	GB12618-3. 2x7	RIVET 3. 2X7	20705003	3	
226	GB889. 1-M8	LOCK NUT M8	20405004	4	
227	GB97. 1-8	WASHER 8	20501007	4	
	GB96. 1-8	FLAT WASHER 8	20504003	4	
228	GB97. 1-8	WAHSER 8	20501007	5	
229	GB5783-M8x20	BOLT M8X20	20102101	4	
	GB5783-M8x25	BOLT M8X25	20102102	4	
	5/16-24x20	BOLT 24X20	20109033	4	
	5/16-24x25	BOLT 24X25	20109031	4	
230	GB5783-M8x16	BOLT M8X16	20102116	1	
	GB5783-M8x20	BOLT M8X20	20102101	1	
231	MT36-06-01-02-BJ	RIGHT PLATE ASSEMBLY (MT36)	54601131	1	
232	GB96. 1-10	FLAT WASHER 10	20504005	6	
233	GB5783-M10x35	BOLT M10X35	20102155	4	
234	GB70. 3-M10x20	SUNK SCREW M10X20	20308147	4	
	GB70. 3-M10x20	SUNK SCREW M	20308147	8	
235	MT36-06-01-01-BJ	LEFT PLATE ASSEMBLY	54601130	1	
	MT42. 46-06-01-01-BJ	LEFT PLATE ASSEMBLY	54601133	1	
236	MT36-06-00-01	PULLEY	40607048	1	
237	GB78-M8x16	SCREW M8X16	20312009	1	
238	GB91-2. 5x16	PIN	20805005	2	
239	MT36-05-05-02	PIN FOR FORK	40102022	1	
240	MT36-05-05-01	FORK	40101059	1	
241	MT36-04-00-01	BEARING PLATEN	40503033	1	
242	MT36-04-00-02	BEARING 51209	21012012	1	
243	MT36. 42. 46-04-00-05	BLADE PLATEN	40503032	1	
244	MT36-04-00-05	WASHER	41201125	1	

**PARTS LIST 2**  
**MT36**

MT36-BOM02-A

ITEM NO.	PART NO.	DESCRIPTION	ERP编号	QTY	REMARK
245	GB70.1-M12x30	SOCKET CAP SCREW	20306014	1	



MT36-BOM03-A

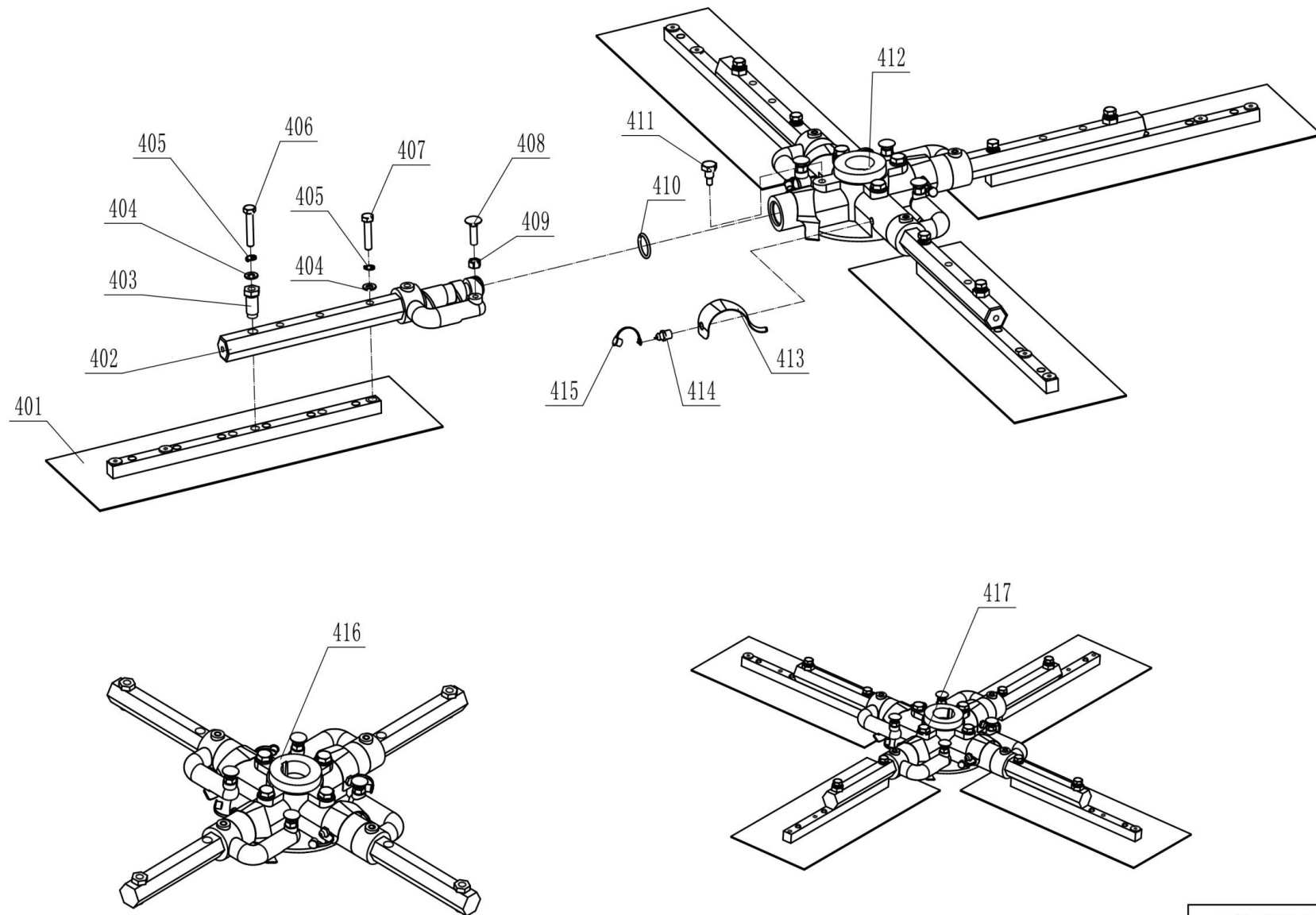


# PARTS LIST 3

## MT36

MT36-BOM03-A

ITEM NO.	PART NO.	DESCRIPTION	ERP编号	QTY	REMARK
301	GB13871-TC20x32x7	SEAL RING	21106038	1	
302	GB70.1-M6x20	SOCKET CAP SCREW	20306048	8	
303	MT36-03-00-05	FLANGE, INPUT SHAFT	40503034	1	
304	GB3452.1-55x3	O-RING	21101021	2	
305	MT36-03-00-06	PLATE, SEAL	40504141	2	
306	GB297-32204	BEARING	21007005	2	
307	GB1096-5x30	KEY	20901055	1	
308	MT36-03-00-07	GEAR, WORM & SHAFT ASSY.	40405008	1	
309	MT36.42.46-03-00-01	CASE, GEAR	40901047	1	
310	GB1096-8x30	KEY A	20901163	2	
311	MT36-03-00-09	TURBOSHAFT	40403016	1	
312	GB276-6207-2RS	BEARING 6207	21001086	1	
313	MT36-03-00-08	GEAR, WORM	40605001	1	
314	GB297-30207	BEARING 30207	21007004	1	
315	MT36-03-00-10	WAHSE	40504139	1	
316	MT36-03-00-03	ADJUSTING WASHER (BIG)	40504140	1	
317	MT36-03-00-02	TOP COVER	40201082	1	
318	MT36-03-00-11	VENT VALVE	40402068	1	
319	GB70.3-M8x16	SOCKET CAP SCREW	20308110	8	
320	GB3452.1-130x3	O-RING	21101019	1	
321	GB70.3-M8x20	SOCKET CAP SCREW	20308111	1	
322	MT36-03-00-04	COVER	41201128	1	
323	ZG1/2	HEXAGONAL HEAD PLUG	21102004	1	
324	GB1160.2-M27x1.5	OIL GAUGE	21110007	1	
325	GB901-M10x40	DOWEL SCREW	20110019	4	
326	GB13871-TC35x54x8	SEAL RING	21106040	1	
327	JB1000-M12x1.25	OUTER HEXAGONAL PLUG	21103006	1	
328	JB1002-12	COPPER PAD	21105007	1	
329	MT36-03-00-00	DECELERATOR ASSY.	54601006	1	

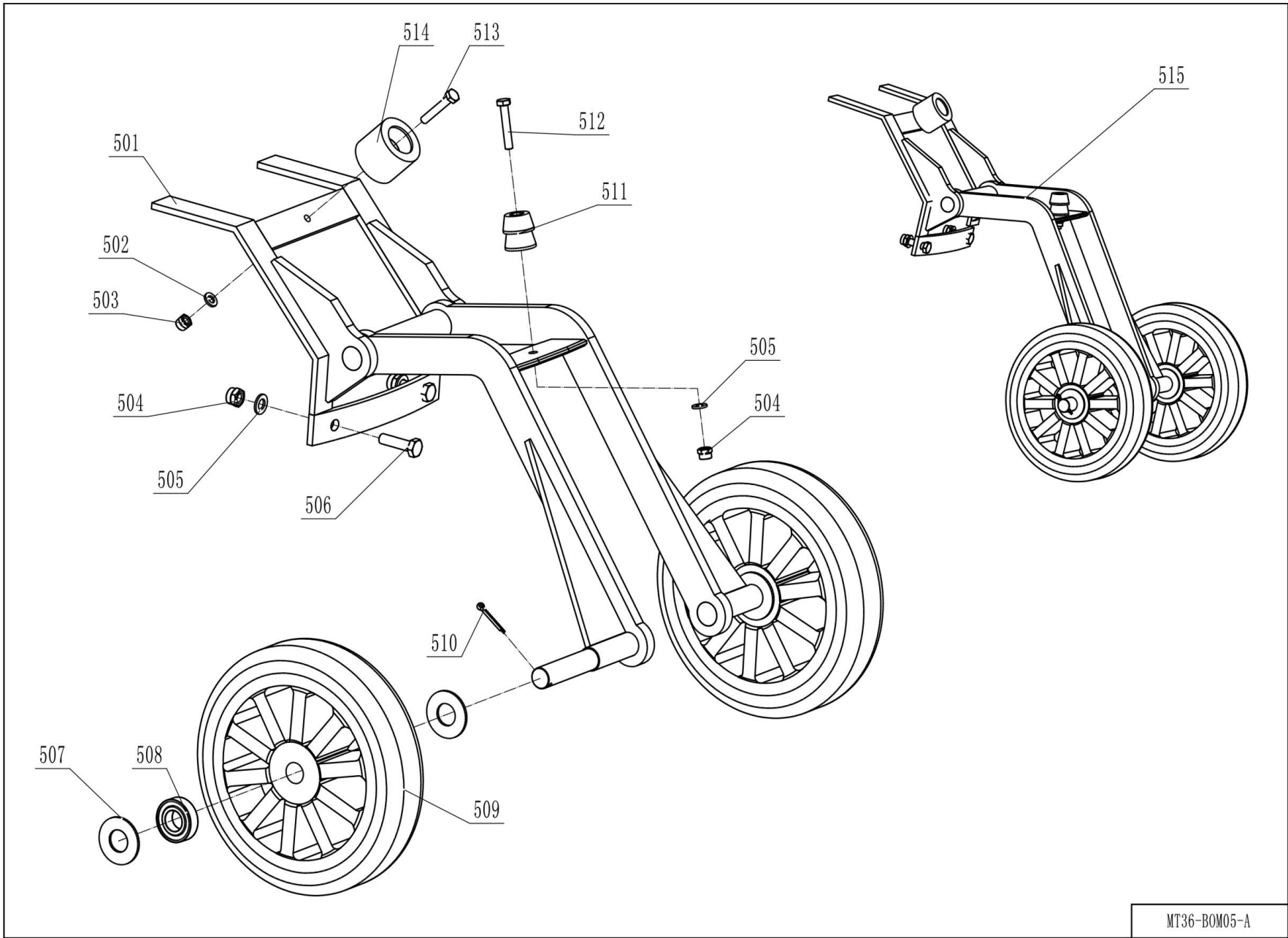


MT36-BOM04-A

**PARTS LIST 4**  
**MT36**

MT36-BOM04-A

ITEM NO.	PART NO.	DESCRIPTION	ERP编号	QTY	REMARK
401	MT36-04-00-11	BLADE, MT36	40302070	4	
402	MT36-06-PWT	TROWEL ARM EXTENDED, MT36	40101084	4	
403	MT36-04-00-08	BOLT FOR ADJUSTING BLADE M14*1.0	40401053	4	
404	GB97.1-8	SPACER	20501007	8	
405	GB93-8	SPRING WASHER	20509006	8	
406	5/16-18UNFx50	BOLT 50	20109021	4	
407	5/16-18UNFx38	BOLT 38	20109022	4	
408	GB14-M8x30	BOLT M8X30	20110021	4	
409	GB6170-M8	I TYPE NUT M8	20401004	4	
410	GB3452.1-24x3	O RING	21101020	4	
411	MT36-04-00-06	BOLT	40401054	4	
412	MT36-04-00-04	SPIDER PLATE ONLY	40302069	1	
413	MT36-04-00-10	SPRING STRIP	40201081	4	
414	GB11152-M10x1	FUEL CUP	20426027	4	
415	M6	CUP COVER	41201127	4	
416	MT36.1	SPIDER PLATE ASSY. (WITHOUT BLADE)	54601158	1	
417	MT36-04-00-00	SPIDER PLATE ASSY. (WITH BLADE)	54601005	1	



MT36-BOM05-A

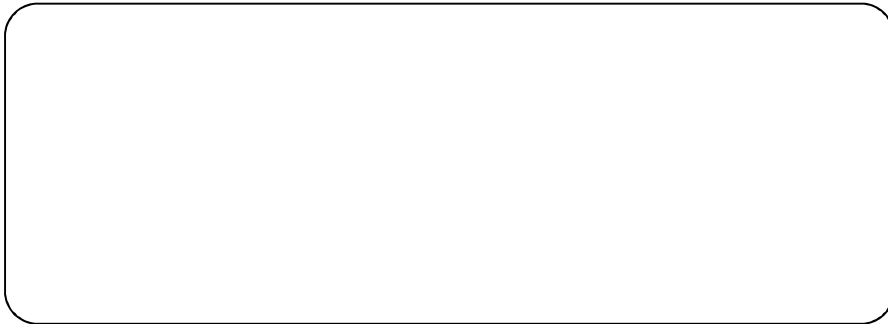
**PARTS LIST 5**  
**MT36**

MT36-BOM05-A

ITEM NO.	PART NO.	DESCRIPTION	ERP编号	QTY	REMARK
501	MT36.BY.01	WHEEL STAND	40101088	1	
502	GB97.1-6	FLAT WASHER	20501005	2	
503	GB889.1-M6	LOCK NUT M6	20405002	2	
504	GB889.1-M8	LOCK NUT M8	20405004	2	
505	GB97.1-8	FLAT WASHER	20501007	2	
506	GB5783-M8x25	HEXAGONAL HEAD BOLT	20102102	2	
507	35x18x3	FLAT WASHER	20519010	4	
508	GB276-6003-2RS	BEARING	21001085	4	
509	200x15x56	WHEEL	41405026	2	
510	GB91-3.2x36	PIN	20805050	2	
511	MT36.BY-01	RUBBER LOCATING BLOCK	41105018	1	
512	GB70.1-M6x30	SOCKET SCREW	20306058	1	
513	GB5783-M6x20	HEXAGONAL BOLT	20102054	1	
514	MT36.BY-02	RUBBER LOCATING BLOCK	41105019	1	
515	MT36-BY	WHEEL ASSY.	54601001	1	



*Distributed By*



MASALTA ENGINEERING CO., LTD

Add: 20 Dalian Road, Baohe Industrial Estate, Hefei, China

Tel: 86-551-64846600, 64846601 Fax: 86-551-64846616

E-mail: [sales@masalta.com.cn](mailto:sales@masalta.com.cn), [masalta@mail.hf.ah.cn](mailto:masalta@mail.hf.ah.cn),

[Http://www.masalta.com.cn](http://www.masalta.com.cn)