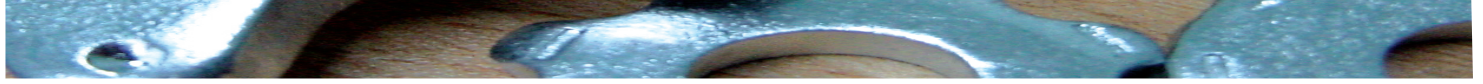


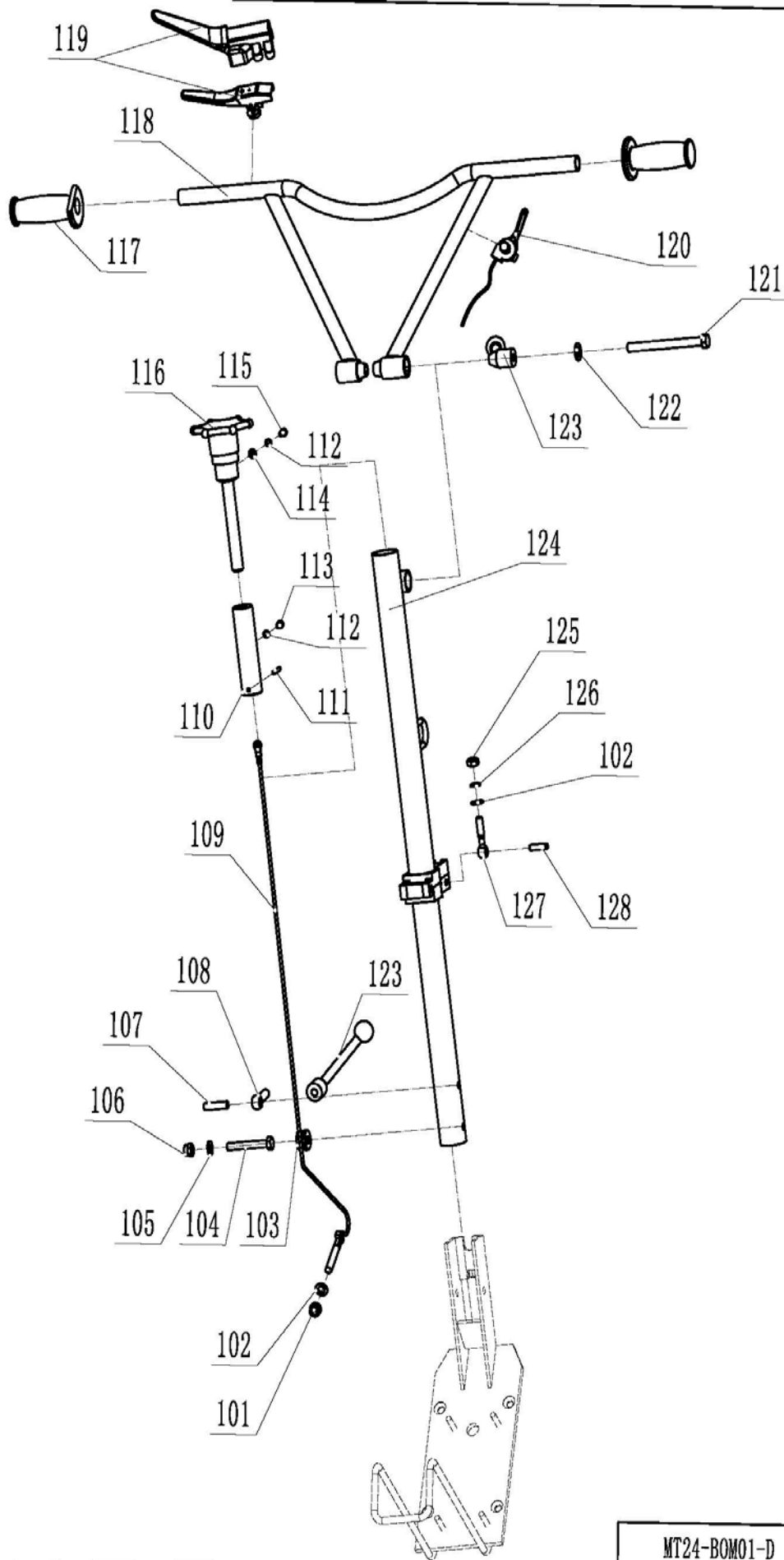


MASALTA®



PARTS MANUAL EDGING POWER TROWEL MT24



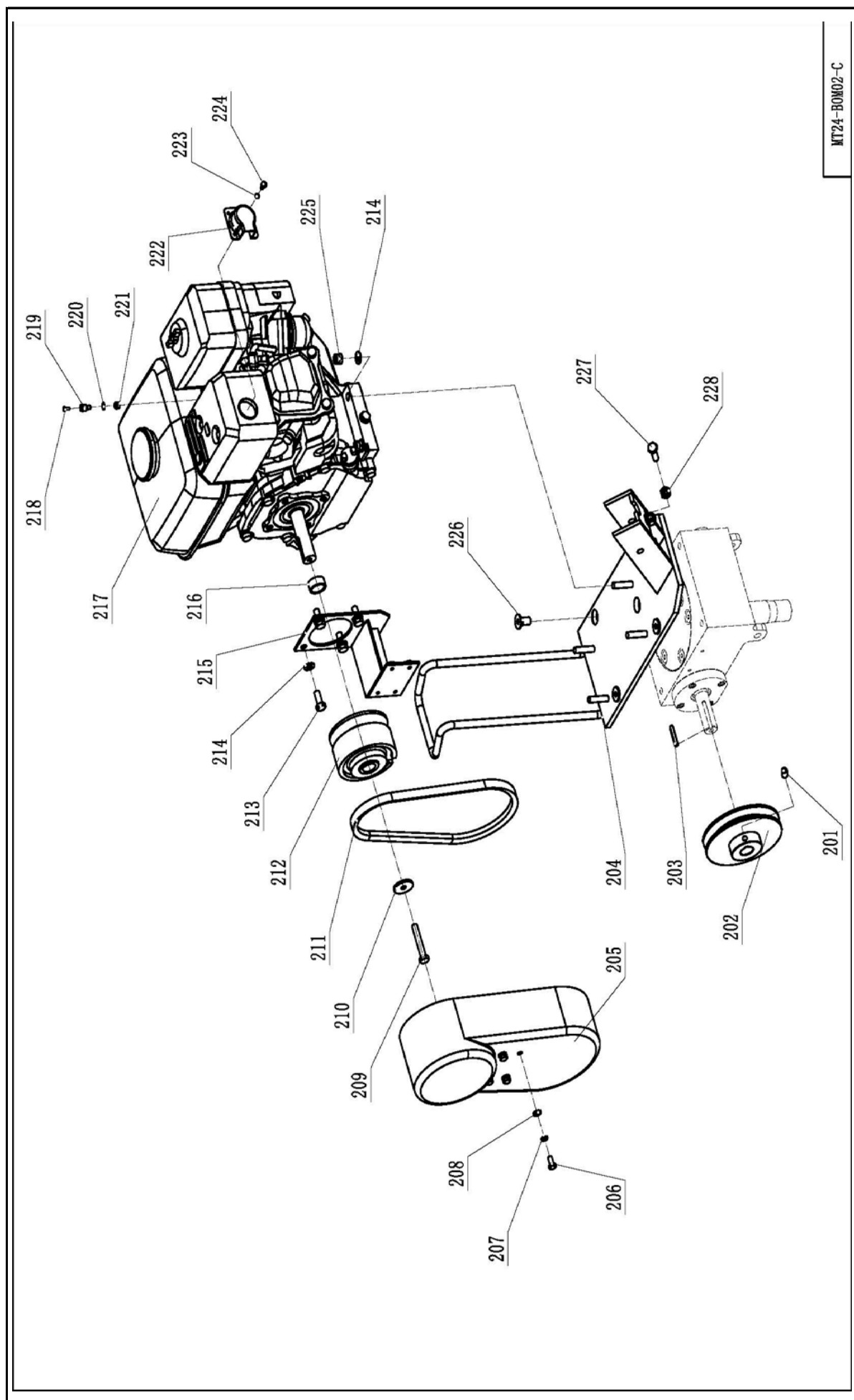


MT24-BOM01-D

MT24 PARTS LIST OF OPERATING HANDLE

No. MT24-BOM01-D

ITEM NO.	PART NO.	DESCRIPTION	QTY	REMARK	ERP No.
101	GB889. 1-M10	LOCK SCREW Φ10	1		20405006
102	GB97. 1-10	FLAT WASHER Φ10	2		20501009
103	MT36-05-03-04	PULLEY	1	BORROWED PARTS	41405019
104	GB5782-M10x70	BOLT M10x70	1		20101058
105	GB97. 1-10	WASHER 10	1		20501020
106	GB889. 1-M10	LOCK SCREW Φ10	1		20405020
107	GB119-10x40	PIN	1		20801007
108	M12X40	SLING BOTL	1		21302014
109	MT24-02-00-01	#24 WIRE.	1		21399003
110	MT24-02-01	SCREW	1		40706008
111	GB879-6×30	SPING PIN	1		20802202
112	GB93-6	SPRING WASHER	2		20509004
113	GB70. 1-M6×8	NUT STAINLESS STEEL	1		20306049
114	GB97. 1-6	FLAT WASHER	1		20501005
115	GB5783-M6×12	BOLT	1		20102051
116	MT24. 30-02-00-03	TROWEL CONTROL ASSY.	1		54601011
117	MG12-0731	HANDLE SLEEVE	2		41202006
118	MT24-03-04	TRIANGULAR HANDLE	1		40305120
119	MT36-05-06-05W	SAFETY STOP SWITCH ASSY.	1	OLD	54601013
	MT. XHKG-170	ON-OFF SWITCH	1	NEW	41403100
120	MT36. 42. 46-05-07-01ZJ	TROLLEY CONTROL ASSY.	1		54601156
121	GB5782-M12x130	BOLT M10x130	1		20101115
122	GB97. 1-12	WASHER 12 STAINLESS STEEL	1		20501024
123	MT24-03-03-10	HANDLE ROD BALL	2		40101061
124	MT24-03-01	HANDLE LEVER ASSEM. (MT24/30)	1		40408009
125	GB6170-M10	I-TYPE HEXAGON NUT	1		20401005
126	GB93-10	SPRING WASHER	1		20509008
127	M10X50	SLING BOTL M10X50	1		21302016
128	GB879. 1-8×30	SPING PIN	1		20802255

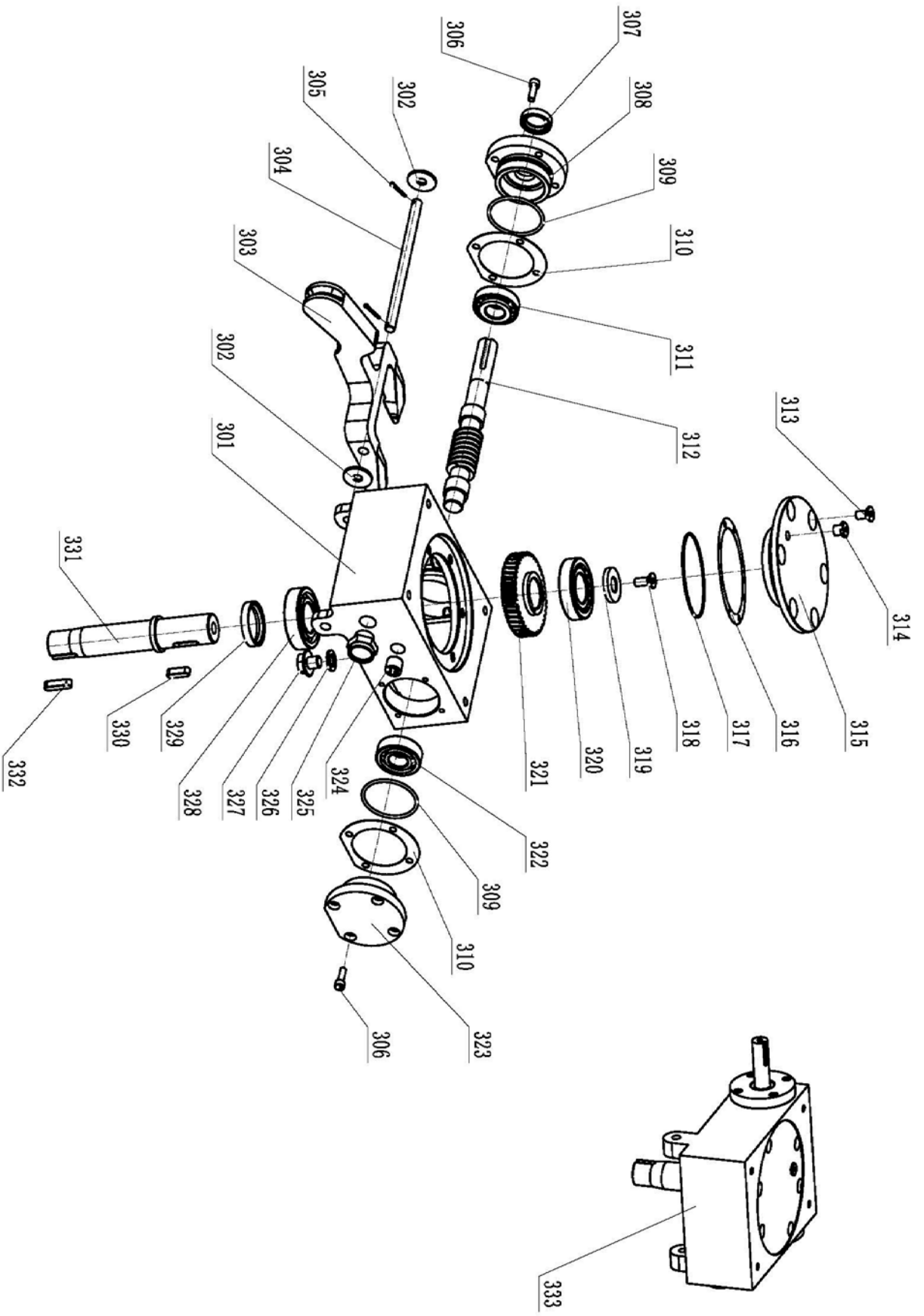


MT24-BOM02-C

MT24 PARTS LIST OF ENGINE

No. : MT24-BOM02-C

ITEM NO.	PART NO.	DESCRIPTION	QTY	REMARK	ERP No.
201	GB78-M8x16	HEX HEAD SCREW M8	1		20312009
202	MT24-00-02	BELT PULLEY	1		40607050
203	GB1096-5x30	A KEY	1		20901055
204	MT24-04-00	ENGINE BOTTOM PLATE ASSY.	1		40207272
205	MT24-00-01	BELT COVER	1		40301085
206	GB5783-M6x12	HEX BOLT	4		20102051
207	GB93-6	SPRING WASHER	4		20509004
208	GB97.1-6	FLAT WASHER	4		20501005
209	GB5783-M8x50	HEX BOLT	1	SX	20102110
	5/16-24x38	OUTER HEX COUNTERSUNK SCREW U. S.	1	QX	20109036
210	8x30x3	LARGE WASHER	1		20504011
211	AV585Li	BELT	1		21201159
212	MT24-01-00-A	CLUTCH ASSY. -A	1	SX	54601106
	MT24-01-01-B	CLUTCH ASSY. -B	1	QX	54601107
213	GB5783-M8x20	HEX BOLT	4	SX AND G200F	20102101
	5/16-24x20	OUTER HEX COUNTERSUNK SCREW U. S.	4	QX EXCEPT G200F	20109033
214	GB97.1-8	FLAT WASHER	8		20501007
215	MT24-00-04	MOUNTING PLATE, BELT GUARD	1		40204075
216	MT36-06-00-04G	CLUTCH ADJUSTING SLEEVE Φ 20	1	SX	40504134
	MT36-06-00-04Y	CLUTCH ADJUSTING SLEEVE Φ 19.05	1	QX	40504160
217	GX160H1-SX	HONDA GX160H1-SX	1	SX	41401013
	GX160UT2-SX4	HONDA GX160UT2-SX4	1		41401001
	EX17	ROBIN EX17	1		41401024
	GX160H1-QX	HONDA GX160H1-QX	1	QX	41401014
	GX160UT2-QX4	HONDA GX160UT2-QX4	1		41401002
	G200F	LONCIN G200F	1		41401042
218	GB818-M3x8	CROSS RECESS HEAD SCREW	1		20301010
219	MT36-05-07-02	BOLT	1		40203310
220	GB97.1-5	FLAT WASHER	1		20501021
221	GB889.1-M5	LOCK SCREW	1		20405021
222	MT36-11-04-01	GUIDE COVER	1		40204074
223	GB93-4	SPRING WASHER	2		20509001
224	GB818-M4x8	CROSS RECESS HEAD SCREW	2		20301001
225	GB889.1-M8	LOCK SCREW	4		20405004
226	GB70.3-M10x20	SUNK SCREW	4		20308147
227	GB5783-M8x30	BOLT M8x30	1		20102125
228	GB6170-M8	I-TYPE HEX NUT	1		20401004

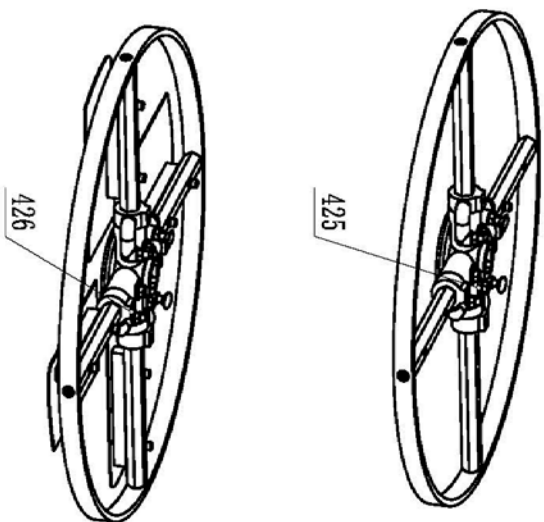
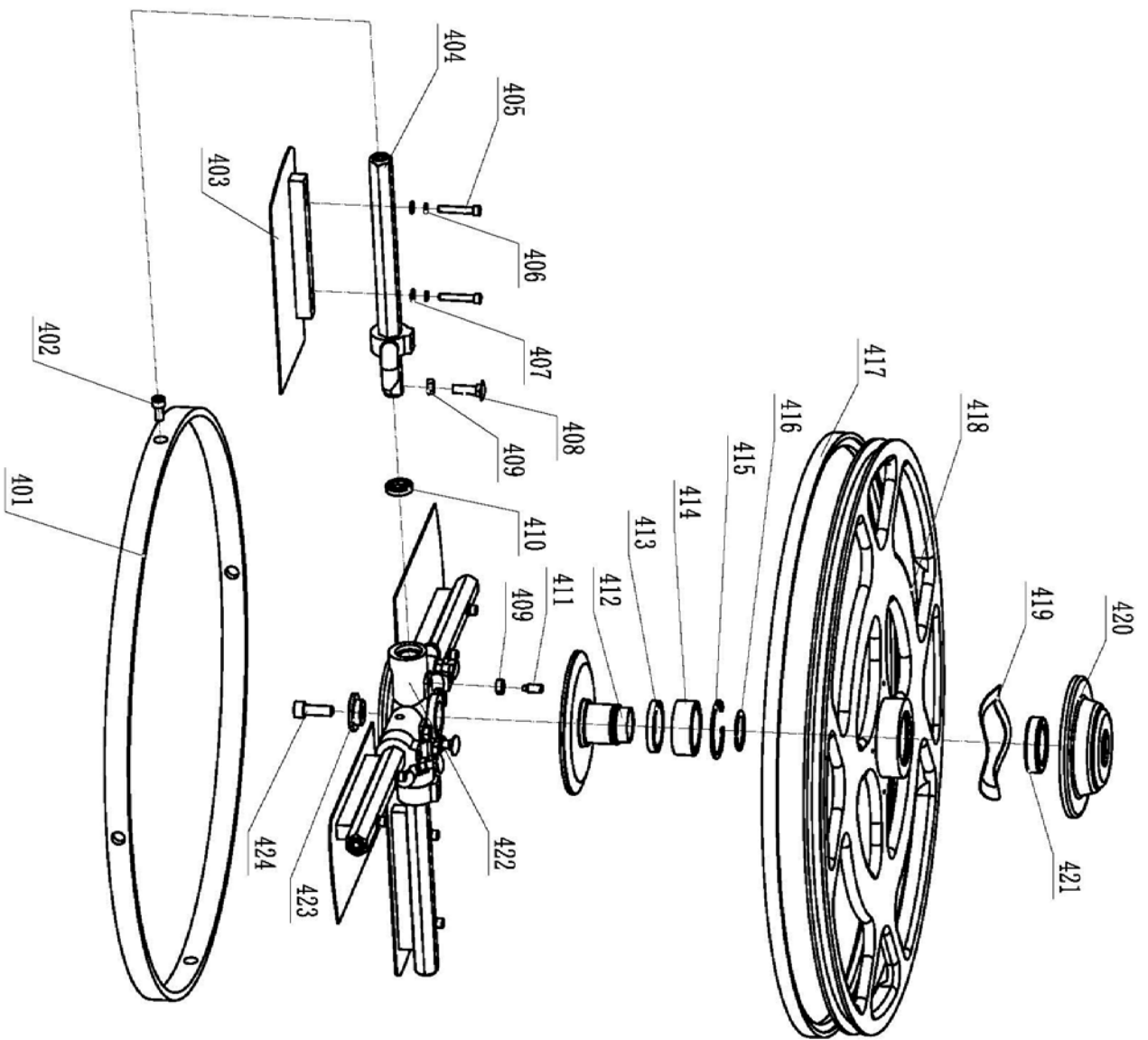


MP24-BOM03-B

MT24 PARTS LIST OF REDUCING MECHANISM

No. : MT24-BOM03-B

ITEMS NO.	PART NO.	DESCRIPTION	QTY	REMARK	ERP No.
301	MT24-05-01	GEAR BOX	1		40901048
302	GB96.1-10	LARGE WASHER	2		20504005
303	MT30-05-05-01	FORK	1		40102027
304	MT24-05-06	FORK PIN	1		40102026
305	GB91-2.5x16	PIN STAINLESS STEEL	2		20805005
306	GB70.1-M6x18	SOCKET CAP SCREW	8		20306047
307	GB13871-TC20x32x7	O-RING	1		21106038
308	MT24-05-11	COVER	1		40503040
309	GB3452.1-45x3	O-TYPE SEAL RING	2		21101023
310	MT24-05-08	ADJUSTMENT WASHER (SMALL CAP)	2		40504150
311	GB297-30204	TAPERED ROLLER BEARING	1		21007007
312	MT24-05-10-B	WORM	1		40405010
313	GB70.3-M8x16	SUNK SCREW	6		20308110
314	MT36-03-00-11	VENTILATING VALVE	1		40402068
315	MT24-05-03	TOP COVER	1		40503039
316	MT24-05-02	ADJUSTMENT WASHER (BIG CAP)	1		40504142
317	GB3452.1-130x3	O-TYPE SEAL RING	1		21101019
318	GB70.3-M8x20	HEX SUNK SCREW	1		20308111
319	MT24-05-04	TURBO WASHER	1		40605003
320	GB297-30206	TAPERED ROLLER BEARING	1		21007006
321	MT24-05-05-B	WORM GEAR	1		40605004
322	GB276-6204-2RS	BEARING 6204	1		21001089
323	MT24-05-09	COVER	1		41201137
324	ZG3/8	HEXAGONAL HEAD PLUG	1		40505070
325	GB1160.2-M20x1.5	OIL GAUGE-GLASS	1		21110008
326	JB1002-12	COPPER PAD	1		21105007
327	JB1000-M12x1.25	OUTER HEXAGONAL PLUG	1		21103006
328	GB276-6206-2RS	BEARING 6206	1		21001060
329	GB13871-TC30x45x7	O-RING	1		21106041
330	GB1096-8x25	A KEY	1		20901154
331	MT24-05-07-B	WORM SHAFT	1		40605009
332	GB1096-8x30	A KEY	1		20901163
333	MT24-05-00-B	REDUCER ASSY	1		54601102



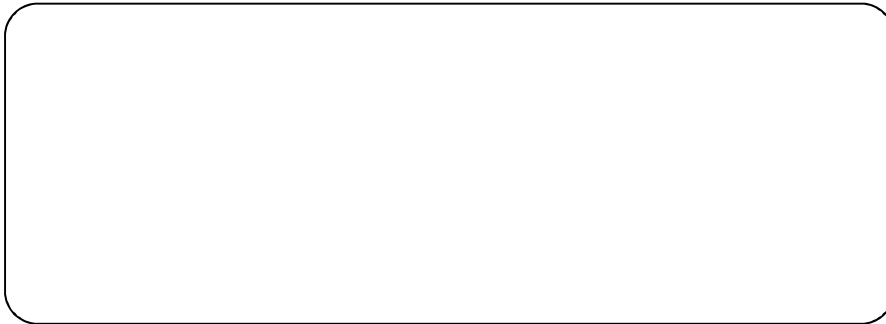
MT24 PARTS LIST OF SPIDER

No. : MT24-BOM04-C

ITEM NO.	PART NO.	DESCRIPTION	QTY	REMARK	ERP No.
401	MT24-06-09	OUTER RING	1		40507021
402	GB70.1-M8x16	INNER HEX SCREW M8X16	4		20306101
403	MT24-06-08	COMBINATION BALDE 4.75X9	1	1 unit/ 4pcs	40302077
404	MT24-06-PWT	TROWEL ARM EXTENDED	4		40101081
405	1/4-20UNCx38	SCREW U. S.	8		20109023
406	GB93-6	SPRING WASHER	8		20509004
407	GB97.1-6	FLAT WASHER	8		20501005
408	GB14-M8x30	BOLT M8X30	4		20110021
409	GB6170-M8	I TYPE NUT M8	8		20401004
410	DHS20x28x5	OIL SEAL	4		40501039
411	MT24-04-00-06	BOLT	4		40302078
412	MT24-06-02	BALDE PRESS PLATE	1		40503037
413	GB276-6808-2RS	BEARING 6808	1		21001081
414	NK40-20	BEARING	1		21012018
415	GB893.1-55	ELASTIC COOLAR FOR HOLE	1		20602017
416	GB895.2-40	WIRE COLLAR FOR SHAFT	1		20605004
417	B1854Li	ALUMINUM RING BELT#24	1		21201160
418	MT24-06-05-BZJ	ALUMINUM RING	1	MASALTA	54601129
	Z-MT24-06-05-BZJ	ALUMINUM RING	1	NEUTRAL	54601145
419	MT30-06-10	WAVE WASHER	1		20511009
420	MT24-06-01	BEARING PLATE	1		40503038
421	MT24-70106	CUSTOMIZATION BEARING	1		21012013
422	MT24-06-04	SPIDER #24	1		40302076
423	MT24-05-12	SPIDER WASHER	1		40504149
424	GB70.1-M10x30	SOCKET CAP SCREW	1		20306163
425	MT24.1	SPIDER (NO BLADE)	1		54601082
426	MT24.2	SPIDER (WITH BLADE)	1		54601121



Distributed By



MASALTA ENGINEERING CO., LTD

Add: 20 Dalian Road, Baohe Industrial Estate, Hefei, China

Tel: 86-551-64846600, 64846601 Fax: 86-551-64846616

E-mail: sales@masalta.com.cn, masalta@mail.hf.ah.cn,

[Http://www.masalta.com.cn](http://www.masalta.com.cn)