



MASALTA®



PARTS LIST

SINGLE DRUM VIBRATORY ROLLER

MSR58 SERIES

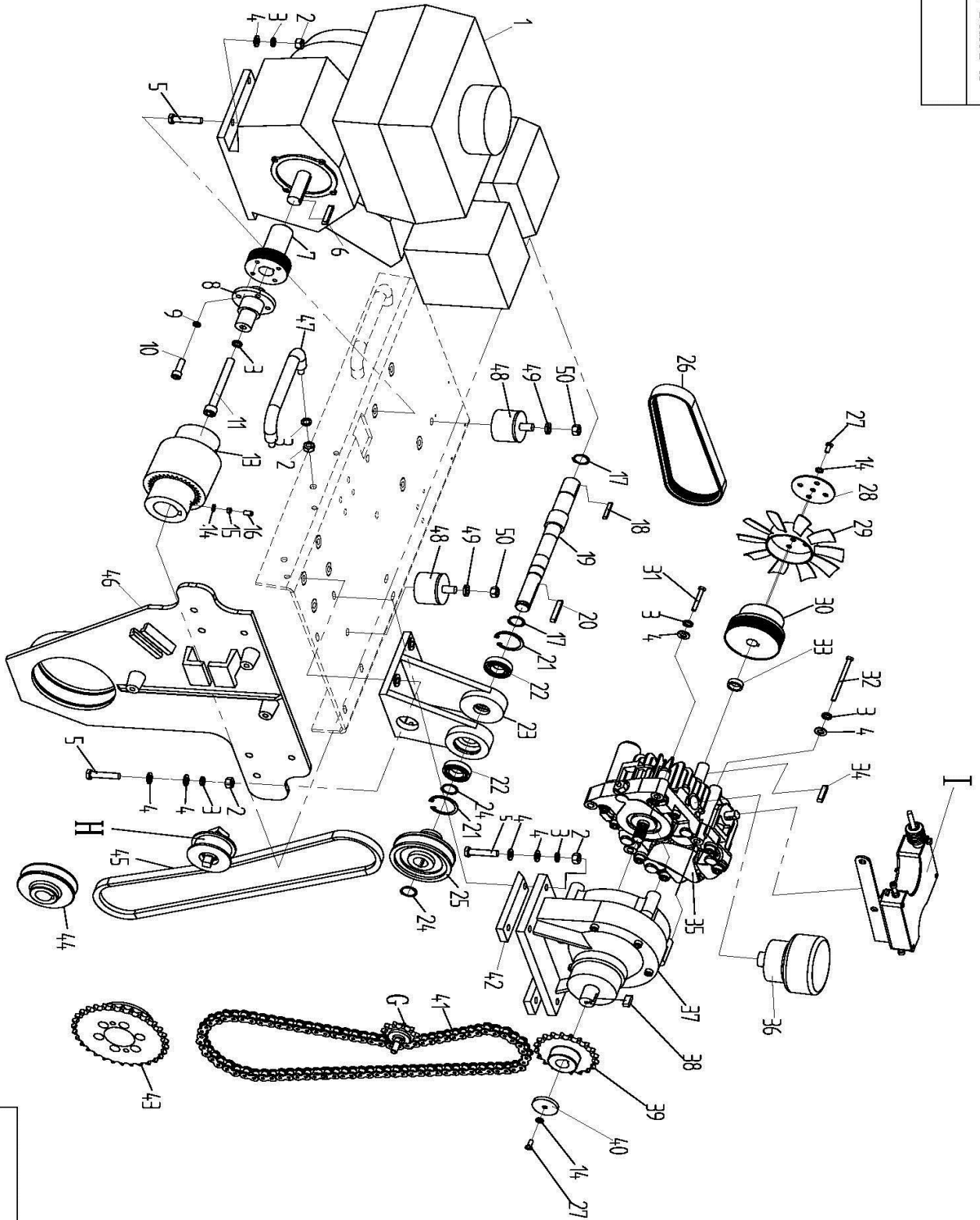


PARTS LIST 1 MSR58 SERIES

TRANSMISSION

MYZSK180-BOM01-A

MYZSK180-BOM01-A



PARTS LIST 1

MSR58 SERIES

TRANSMISSION

MYZSK180-BOM01-A

ITEM NO.	PART NO.	DESCRIPTION	ERP NO.	QTY	REMARK
1	GX160H1-SX	ENGINE	41401013	1	
	GX160H1-QX	ENGINE	41401014	1	
2	GB889-M8	HEXAGON LOCK NUT M8	20405004	12	
3	GB93-8	SPRING WASHER Φ 8	20509006	17	
4	GB97.1-8	FLAT WASHER Φ 8	20501007	16	
5	GB5783-M8*45	HEX BOLT M8*45	20102108	12	
6	GB1096-5*30	FLAT KEY 5*30	20901055	1	COME WITH ENGINE
7	MYZSK180.00.01.03A-GZ	PULLEY	40607009	1	
	MYZSK180.00.01.03A-YZ	PULLEY	40607025	1	
8	MYZSK180.00.01.36	JOINT SHAFT	40402069	1	SX
	MYZSK180.00.01.37	JOINT SHAFT	40402103	1	QX
9	GB97.1-6	FLAT WASHER Φ 6	20501005	6	
10	GB70.1-M6*25	SOCKET HEAD SCREW M6*25	20306055	4	
11	GB70.1-M8x90	SOCKET HEAD SCREW M8*90	20306125	1	QX
	GB70.1-M8x100	SOCKET HEAD SCREW M8*100	20306115	1	SX
13	NL2	COUPLING	82207001	1	
14	GB93-6	SPRING WASHER Φ 6	20509005	9	
15	GB889-M6	HEXAGON LOCK NUT M6	20405002	2	
16	GB78-M6x16	SOCKET HEAD SCREW M6*16	20312004	2	
17	GB894.1-20	RETAINING RING 20	20601008	2	
18	GB1096-6*18	FLAT KEY 6*18	20901100	1	
19	MYZSK180.00.01.09B	TRANSMISSION SHAFT	40403002	1	
20	GB1096-5*40	FLAT KEY 5*40	20901056	1	
21	GB893.1-37	RETAINING RING 37	20602005	2	
22	GB276-61904	BEARING 61904-2RZ	21001002	2	
23	MYZSK180.00.01.10	BEARING BLOCK	40801001	1	
24	GB894.1-19	RETAINING RING 19	20601007	2	

PARTS LIST 1

MSR58 SERIES

TRANSMISSION

MYZSK180-BOM01-A

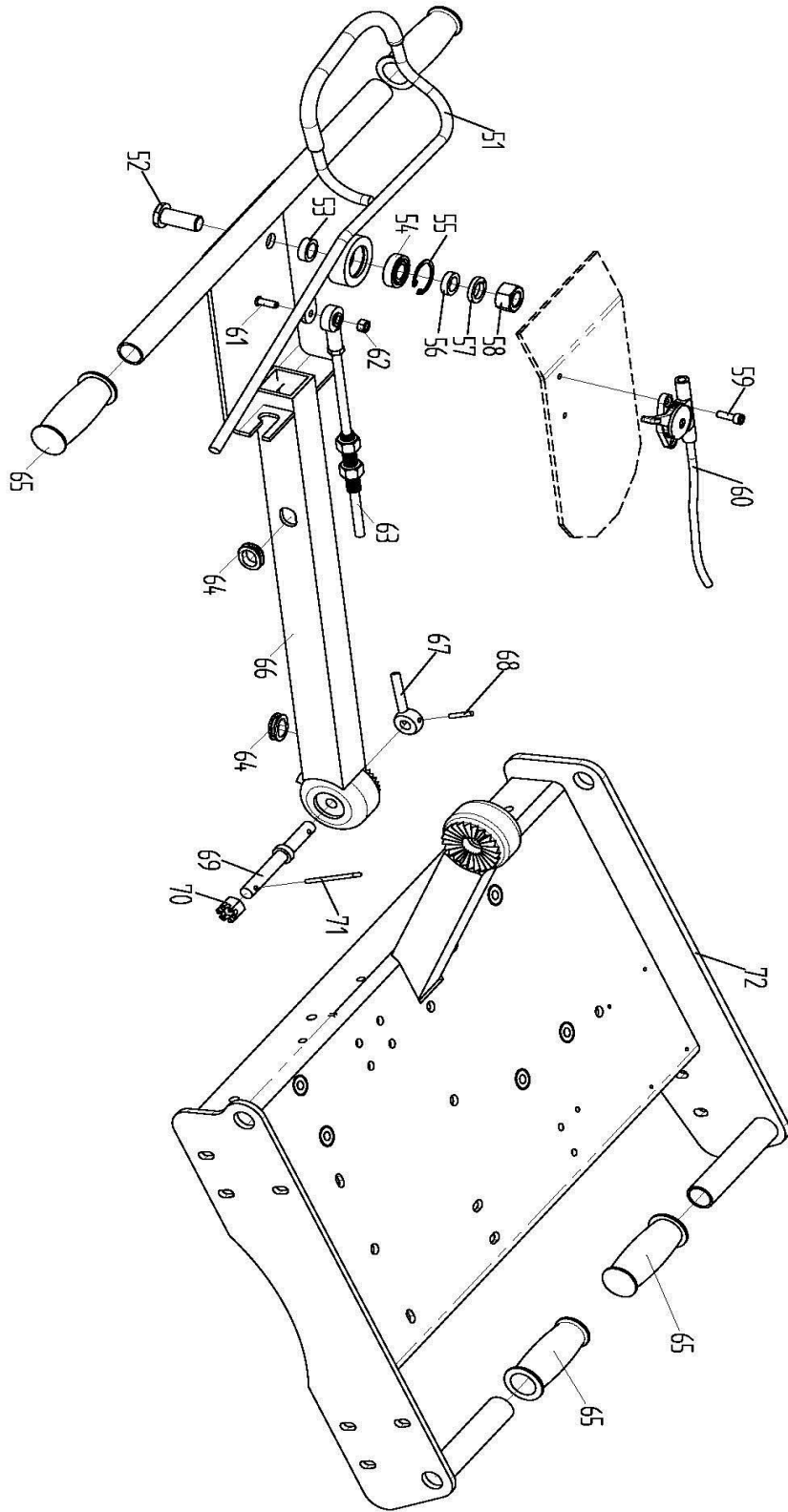
ITEM NO.	PART NO.	DESCRIPTION	ERP NO.	QTY	REMARK
25	MYZSK180.00.20YZ	CLUTCH ASSY	53501005	1	
26	GB16588-543	RIBBED BELT PJ TYPE	21201100	1	
27	GB5783-M6*20	HEX BOLT M6*20	20102054	6	
28	MYZSK180.00.01.40	FAN PRESSURE PAD	40201015	1	
29	MYZSK180.00.01.39	FAN BLADE	41205017	1	
30	MYZSK180.00.01.19	BDU PULLEY	40607008	1	
31	GB5783-M8*60	HEX BOLT M8*60	20102112	2	
32	GB5783-M8*130	HEX BOLT M8*130	20102113	2	
33	MYZSK180.00.01.34	BDU SHAFT GASKET	40504028	2	
34	GB1096-5*30	FLAT KEY 5*30	20901055	1	
35	BDU-10S-5107	BDU HYDRAULIC TRANSMISSION UNIT	41407005	1	
36	BDU-10S-TANK	BDU OIL TANK	41206003	1	
37	MYZSK180.00.01.16	WB100 MODIFIED FIGURE OF REDUCER	53501002	1	
38	GB1096-6*18	FLAT KEY 6*18	20901100	1	
39	MYZSK180.00.01.15	MINOR SPROCKET WHEEL	40606002	1	
40	MYZSK180.00.01.28	PRESSURE MAD OF MINOR SPROCKET WHEEL	40504027	1	
41	GB1243-79节	CHAIN TG127-79	21202001	1	
42	MYZSK180.00.01.17	REDUCER BASE PLATE	40203057	2	
43	MYZSK180.00.02.09	LARGE SPROCKET WHEEL	40606003	1	
44	MYZSK180.00.02.10	SMALL PULLEY	40607010	1	
45	GB11544-XPA1036	V-TYPE BELT XPA1036	21201006	1	
46	MYZSK180.00.02.08	SUPPORT PLATE RIGHT	40209002	1	
47	A73E6-42362	HANDLE ASSY	41003051	2	
48	MH4025R.00.04.02-12	DAMPING RUBBER MAT	41201031	2	
49	GB97.1-10	FLAT WASHER Φ10	20501009	2	
50	GB889-M10	HEXAGON LOCK NUT M10	20405006	2	

PARTS LIST 2
MSR58 SERIES

ARMREST ASSY

MYZSK180-BOM02-A

MYZSK180-BOM02-A



PARTS LIST 2
MSR58 SERIES

ARMREST ASSY

MYZSK180-BOM02-A

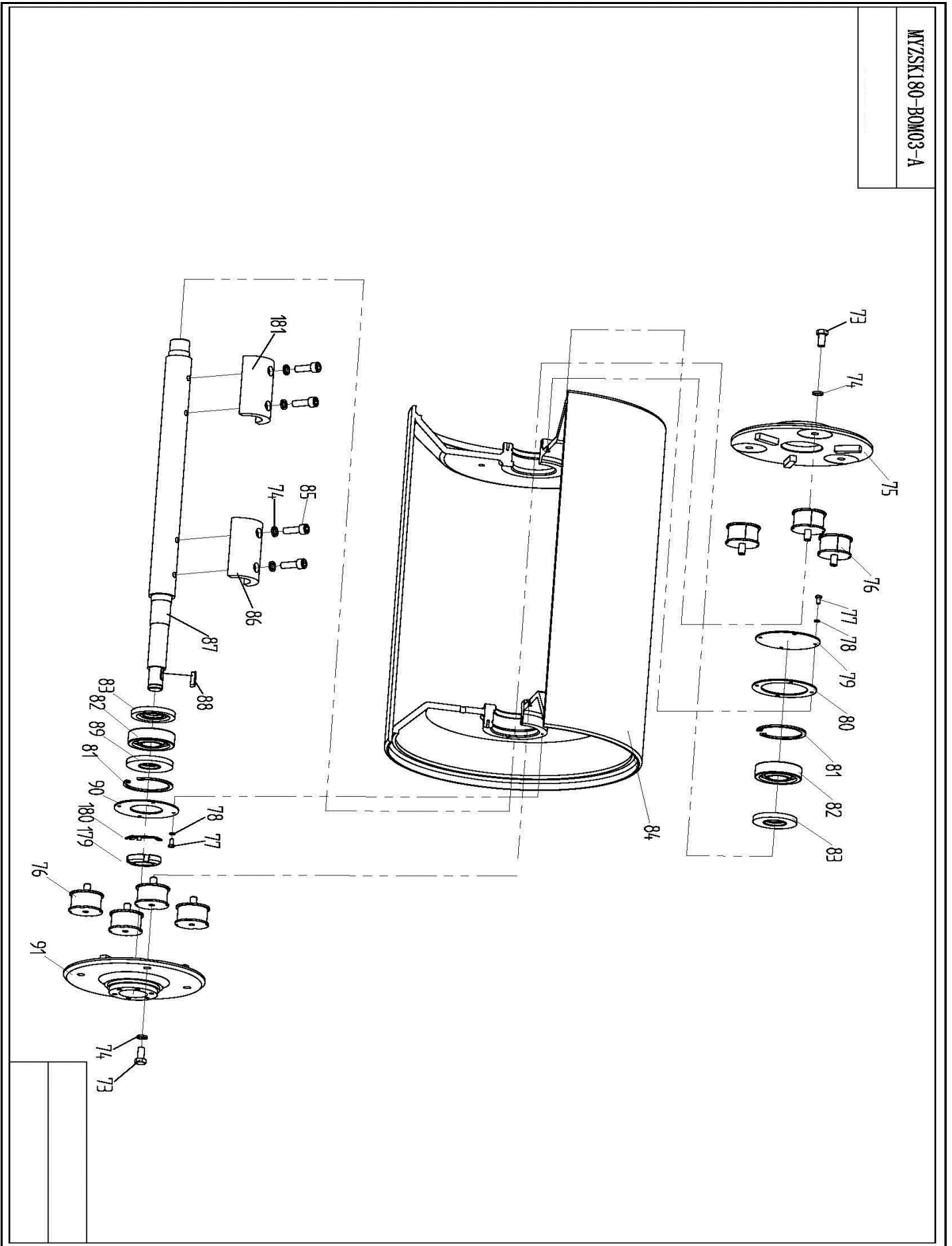
ITEM NO.	PART NO.	DESCRIPTION	ERP NO.	QTY	REMARK
51	MYZSK180.00.03-01	CONTROL LEVER	40305002	1	
52	MYZSK180.00.03-04	CONTROL LEVER SHAFT	40402020	1	
53	MYZSK180.00.03-05	LINER GASKET	40504029	1	
54	GB276-6002	BEARING 6002-2LS	21001051	1	
55	GB893.1-32	RETAINING RING 32	20602004	1	
56	MYZSK180.00.03-06	UPPER GASKET	40504030	1	
57	GB93-14	SPRING WASHER Φ 14	20509010	1	
58	GB6173-M14*1.5	HEX THIN NUT M14*1.5	20407003	1	
59	GB70.1-M6*20	SOCKET HEAD SCREW M6*20	20306053	2	
60	YKID-060DF1550H035	YKID CONTROLLER	41403019	1	
61	GB5783-M6*20	HEX BOLT M6X20	20102054	1	
62	GB889-M6	HEXAGON LOCK NUT M6	20405002	1	
63	080BB1040H040	PUSH-PULL SOFT SHAFT ASSY	41403018	1	
64	MYZSK180.00.03/08	SLEEVE	41404003	2	
65	MG12-0731	LEVER SLEEVE Φ 24*110	41202006	4	
66	MYZSK180.00.03-02	ARMREST BODY	40306001	1	
67	JB7270.8-BM12*80	BALL HANDLE BM12*80	21301001	1	
68	GB897.1- Φ 4*25	ELASTIC CYLINDRICAL SHAW Φ 4*25	20802101	1	
69	MYZSK180.00.03-07	STUD	40401013	1	
70	GB6178-M12	TYPE-1 SLOTTED NUT M12	20409001	1	
71	GB91-3*40	COTTER PIN 3*40	20805051	1	
72	MYZSK180.00.01.01B	BASEBOARD WELDMENT	40302011	1	

PARTS LIST 3 MSR58 SERIES

STEEL WHEEL ASSY

MYZSK180-BOM03-A

MYZSK180-BOM03-A



PARTS LIST 3
MSR58 SERIES

STEEL WHEEL ASSY

MYZSK180-BOM03-A

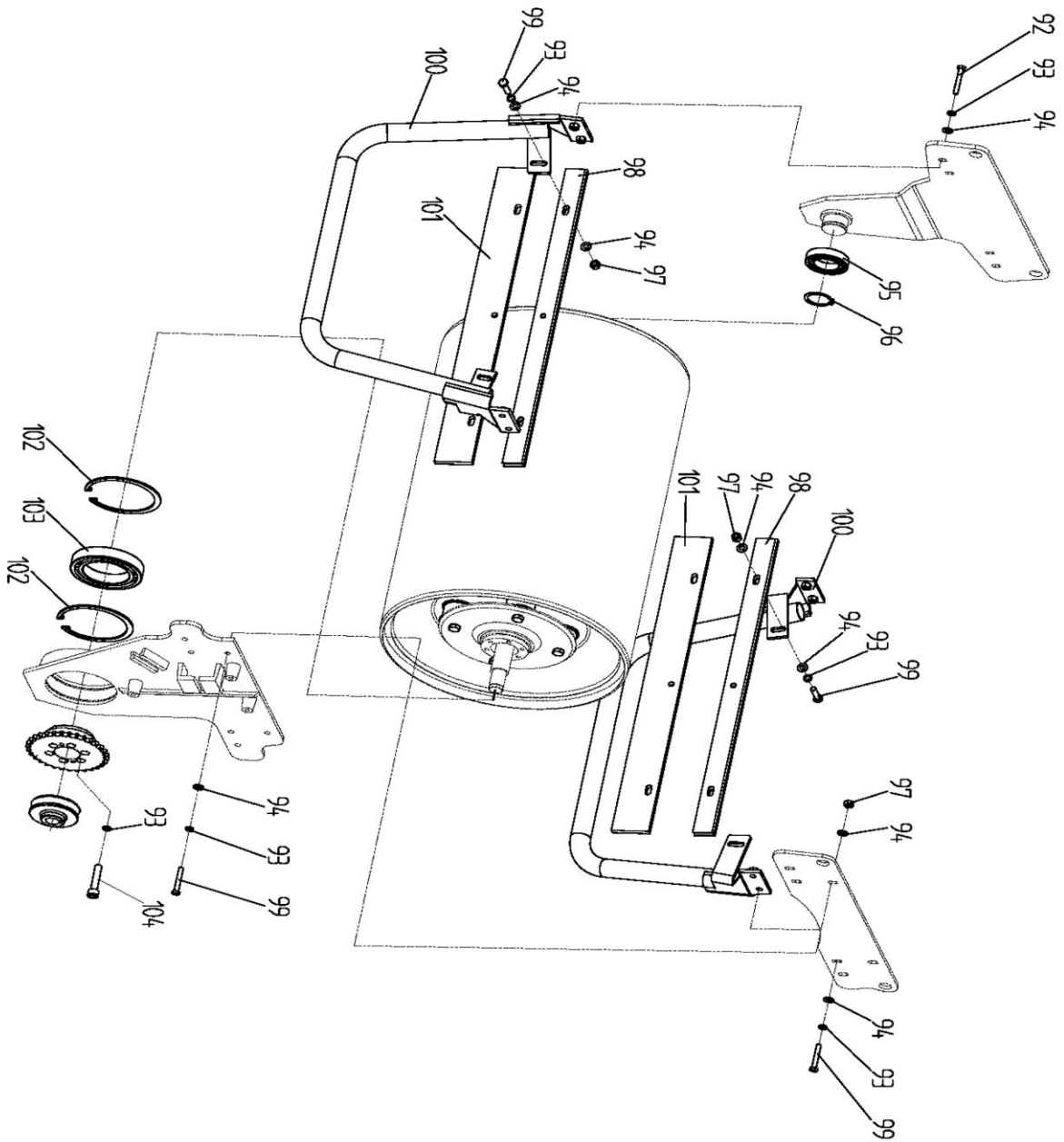
ITEM NO.	PART NO.	DESCRIPTION	ERP NO.	QTY	REMARK
73	GB5783-M10*20	HEX BOLT M10*20	20102150	7	
74	GB93-10	SPRING WASHER Φ10	20509008	11	
75	MYZSK180.00.02.02	SUPPORT PLATE LEFT	40501009	1	
76	MYZSK180.00.02.06	DAMPING PAD	41201008	7	
77	GB5783-M5*12	HEX BOLT M5*12	20102001	8	
78	GB93-5	SPRING WASHER Φ5	20509002	8	
79	MYZSK180.00.02.03	REAR END COVER	40503008	1	
80	MYZSK180.00.02.13	PAPER WASHER	41302001	1	
81	GB893.1-72	RETAINING RING 72	20602011	2	
82	GB283-NJ306E	ROLLER BEARING NJ306E	21004004	2	
83	GB13871-68*32*8	DELF-SEAL PACKING 68*32*8	21106004	2	
84	MYZSK180.00.02.01	ROLLER	40505012	1	
85	GB70.1-M10*30	SOCKET HEAD SCREW M10*30	20306153	4	
86	MYZSK180.00.02.04	VIBRATION BLOCK	40705005	1	
181	MYZSK180.00.02.14	VIBRATION BLOCK	40705043	1	
87	MYZSK180.00.02.05	VIBRATION SHAFT (SMALL)	40406017	1	
88	GB1096-6x22	FLAT KEY A TYPE 8*20	20901104	1	
89	GB13871-72*30*8	DELF-SEAL PACKING 72*30*8	21106005	1	
90	MYZSK180.00.02.12	FRONT CAP	40503009	1	
91	MYZSK180.00.02.07	BRACKET, RIGHT	40501010	1	
179	GB812-M20x1.5	NUT M20x1.5	20412006	1	
180	GB858-20	NUT 20	20516002	1	

PARTS LIST 4
MSR58 SERIES

SUPPORT ASSY

MYZSK180-BOM04-A

MYZSK180-BOM04-A



PARTS LIST 4
MSR58 SERIES

SUPPORT ASSY

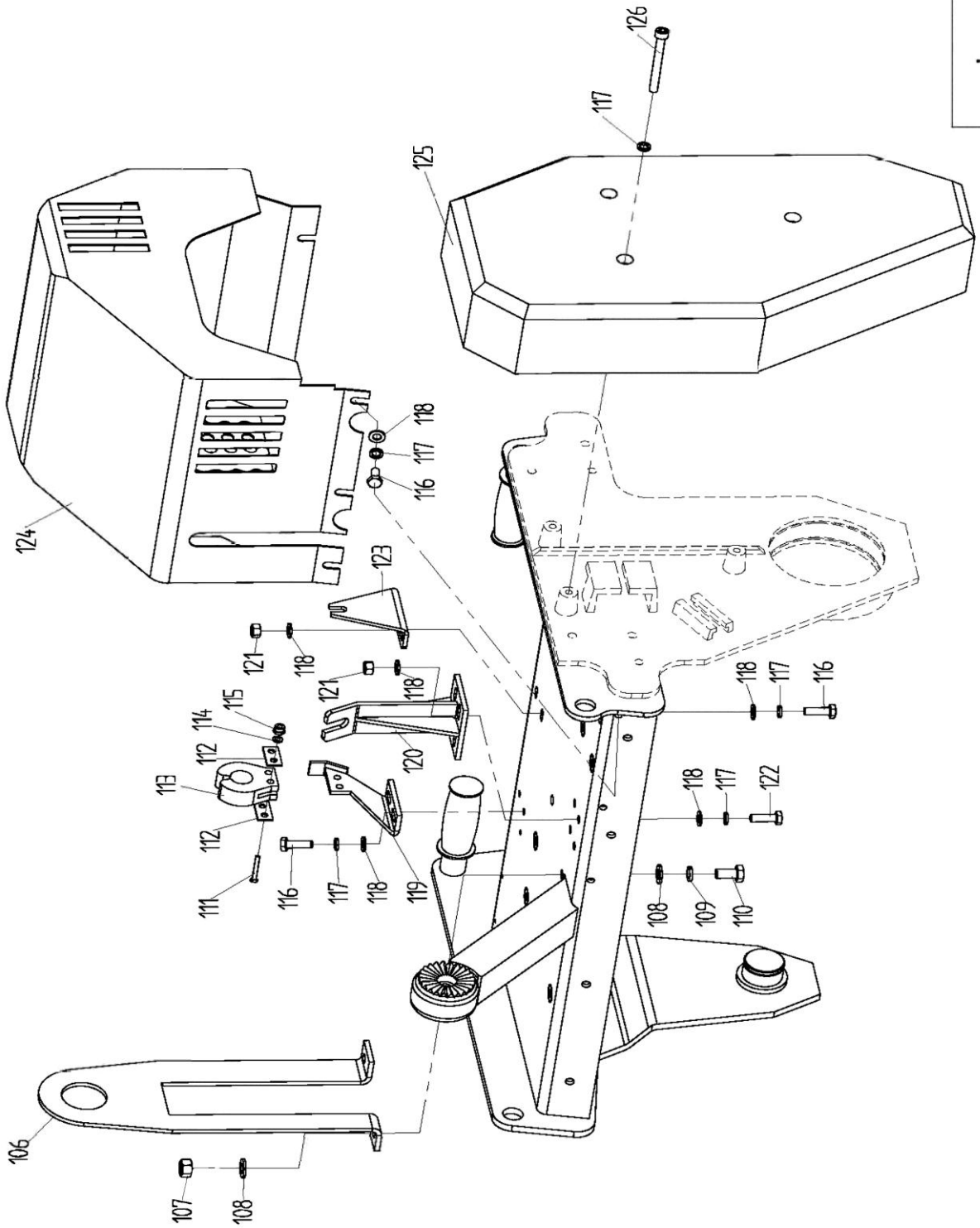
MYZSK180-BOM04-A

ITEM NO.	PART NO.	DESCRIPTION	ERP NO.	QTY	REMARK
92	GB5783-M8*25	HEX BOLT M8*25	20102102	4	
93	GB93-8	SPRING WASHER Φ8	20509006	20	
94	GB97.1-8	FLAT WASHER Φ8	20501007	20	
95	GB276-6008	BEARING 6008-2RZ	21001008	1	
96	GB894.1-40	RETAINING RING 40	20601016	1	
97	GB889-M8	HEXAGON LOCK NUT M8	20405004	6	
98	MYZSK180.00.01.12	SCRAPER	40209001	2	
99	GB5783-M8*35	HEX BOLT M8*35	20102106	10	
100	MYZSK180.00.01.11	SUPPORT PLATE WELDMENT	40305001	2	
101	MYZSK180.00.01.13	SCRAPER	41203016	2	
102	GB893.1-115	RETAINING RING 115	20602014	2	
103	GB276-6015	BEARING 6015-2RZ	21001011	1	
104	GB70.1-M8*50	SOCKET HEAD SCREW M8*50	20306108	6	

PARTS LIST 5 MSR58 SERIES

BOTTOM MOUNTING ASSY

MYZSK180-BOM05-A



MYZSK180-BOM05-A

PARTS LIST 5
MSR58 SERIES

BOTTOM MOUNTING ASSY

MYZSK180-BOM05-A

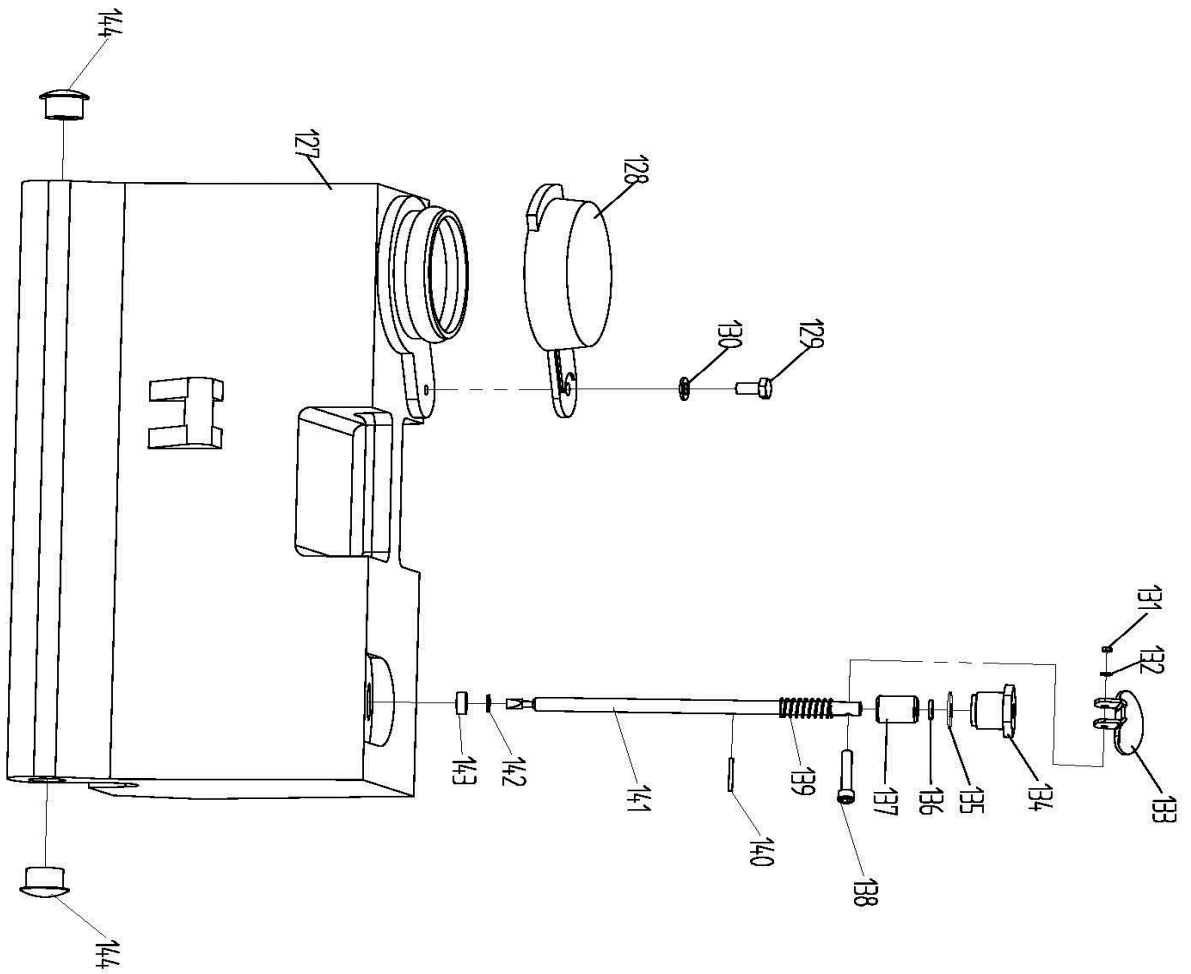
ITEM NO.	PART NO.	DESCRIPTION	ERP NO.	QTY	REMARK
106	MYZSK180.00.01.06	CENTRAL LIFTING PLATE	40205001	1	
107	GB889-M10	HEXAGON LOCK NUT M10	20405006	2	
108	GB97.1-10	FLAT WASHER Φ 10	20501009	4	
109	GB93-10	SPRING WASHER Φ 10	20509008	2	
110	GB5783-M10*20	HEX BOLT M10*20	20102150	2	
111	GB5783-M6*40	HEX BOLT M6*40	20102060	2	
112	MH4012.00.18	BLOCK GASKET	40203058	2	
113	MH4012.00.17C	RUBBER BLOCK	41205011	1	
114	GB97.1-6	FLAT WASHER Φ 6	20501005	2	
115	GB889-M6	HEXAGON LOCK NUT M6	20405002	2	
116	GB5783-M8*20	HEX BOLT M8*20	20102101	7	
117	GB93-8	SPRING WASHER Φ 8	20509006	12	
118	GB97.1-8	FLAT WASHER Φ 8	20501007	13	
119	MYZSK180.00.01.30	WATER TANK HANGING PLATE	40301013	1	
120	MYZSK180.00.01.07A	SUPPORT PLATE OF PUSH-PULL SOFT SHAFT	40302012	1	
121	GB889-M8	HEXAGON LOCK NUT M8	20405004	4	
122	GB5783-M8*30	HEX BOLT M8*30	20102105	2	
123	MYZSK180.00.01.05	BDU FRAME	40204014	1	
124	MYZSK180.00.01.14	UPPER PROTECTIVE FRAME	40902008	1	NEUTRAL
	MYZSK180.00.01.14TA	UPPER PROTECTIVE FRAME	40902026	1	MASALTA
125	MYZSK180.00.02.11	SIDE PROTECTIVE FRAME	40301014	1	
126	GB70.1-M8*70	SOCKET HEAD SCREW M8*70	20306110	3	

PARTS LIST 6
MSR58 SERIES

WATER TANK ASSY

MYZSK180-BOM06-A

MYZSK180-BOM06-A



PARTS LIST 6
MSR58 SERIES

WATER TANK ASSY

MYZSK180-BOM06-A

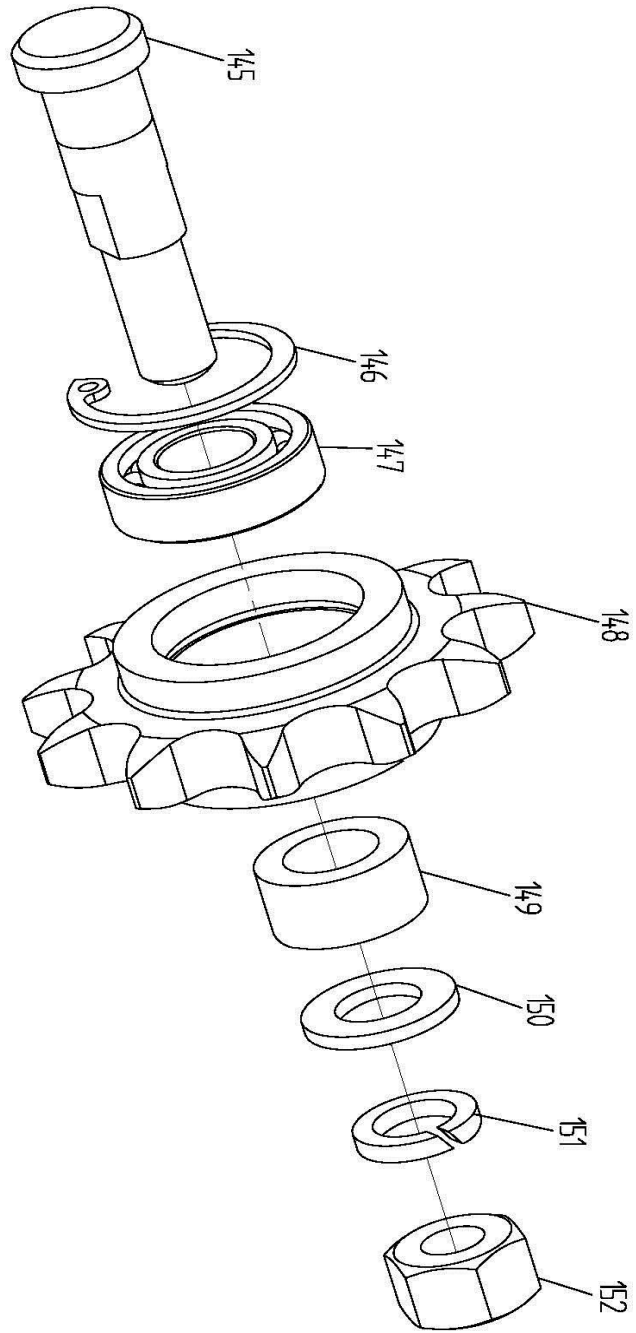
ITEM NO.	PART NO.	DESCRIPTION	ERP NO.	QTY	REMARK
127	MYZSK180.00.04.01	WATER TANK	41207004	1	
128	MYZSK180.00.04.11	WATER TANK CAP	41205013	1	
129	GB5783-M10*20	HEX BOLT M10*20	20102150	1	
130	GB97.1-10	FLAT WASHER Φ 10	20501009	1	
131	GB889-M5	HEXAGON LOCK NUT M5	20405001	1	
132	GB97.1-5	FLAT WASHER Φ 5	20501003	1	
133	MYZSK180.00.04.02	DRAIN HANDLE	40209003	1	
134	MYZSK180.00.04.05	END SOCKET	41101022	1	
135	GB3452.1-30x2.65	O RING 30*2.65	21101354	1	
136	GB3452.1-12.5*2.65	O RING12.5*2.65	21101050	1	
137	MYZSK180.00.04.07	SLIDING SLEEVE	41201027	1	
138	GB70.1-M5*30	SOCKET HEAD SCREW M5*30	20306006	1	
139	MYZSK180.00.04.08	SPRING	40103015	1	
140	GB897.1-3*30	LASTIC CYLINDRICAL SHAW 3*30	20802050	1	
141	MYZSK180.00.04.04	SHAFT	40406018	1	
142	MYZSK180.00.04.12	GASKET	40504031	1	
143	MYZSK180.00.04.09	SEALING GASKET	41201028	1	
144	MYZSK180.00.04.10	END SOCKET	41202007	2	

PARTS LIST 7
MSR58 SERIES

CHAIN TENSION ASSY

MYZSK180-BOM07-A

MYZSK180-BOM07-A



PARTS LIST 7
MSR58 SERIES

CHAIN TENSION ASSY

MYZSK180-BOM07-A

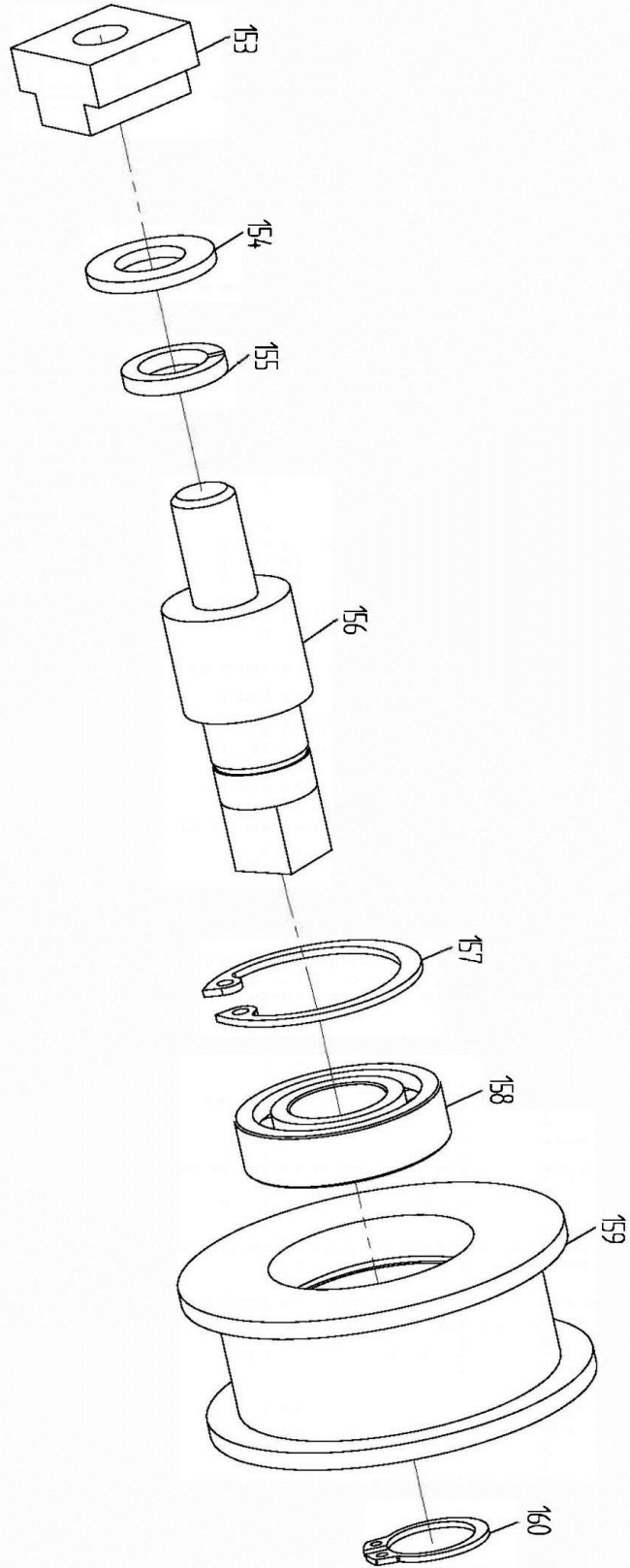
ITEM NO.	PART NO.	DESCRIPTION	ERP NO.	QTY	REMARK
145	MYZSK180.00.01.20-3	TENSIONER SPROCKET SHAFT	40402019	1	
146	GB893.1-22	RETAINING RING Φ 22	20602002	1	
147	GB276-61900S	BEARING 61900-2RZ	21001067	1	
148	MYZSK180.00.01.20-1	TENSIONER SPROCKET	40606001	1	
149	MYZSK180.00.01.20-2	TENSIONER SPROCKET PRESSURE MAD	40504026	1	
150	GB97.1-8	FLAT WASHER Φ 8	20501007	1	
151	GB93-8	SPRING WASHER Φ 8	20509006	1	
152	GB889-M8	HEXAGON LOCK NUT M8	20405004	1	

PARTS LIST 8
MSR58 SERIES

BELT TENSION ASSY

MYZSK180-BOM08-A

MYZSK180-BOM08-A



PARTS LIST 8
MSR58 SERIES

BELT TENSION ASSY

MYZSK180-BOM08-A

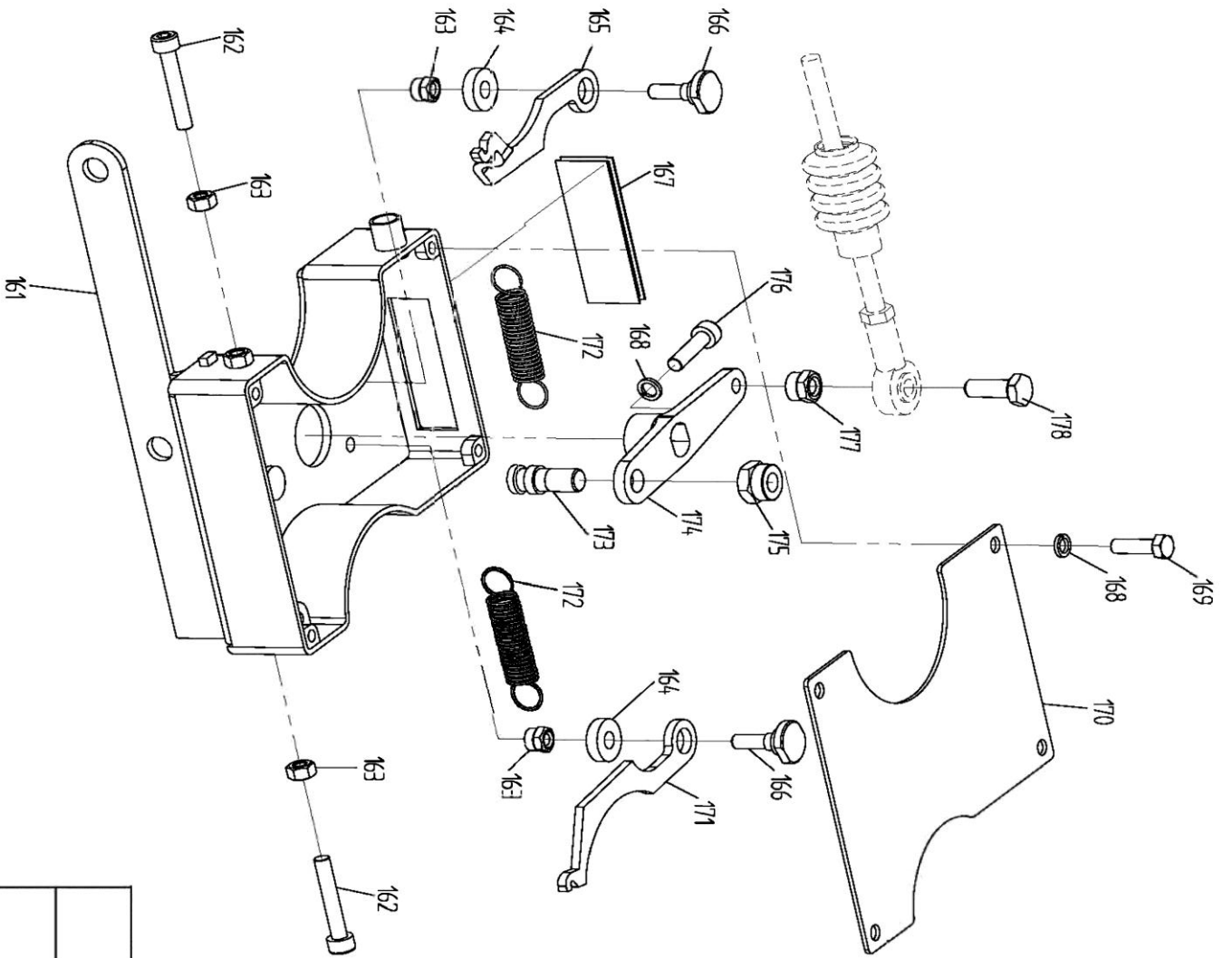
ITEM NO.	PART NO.	DESCRIPTION	ERP NO.	QTY	REMARK
153	MYZSK180.00.01.18-2	T NUT	40205003	1	
154	GB97.1-10	FLAT WASHER Φ 10	20501009	1	
155	GB93-10	SPRING WASHER Φ 10	20509008	1	
156	MYZSK180.00.01.18-3	BELT TENSION WHEEL SHAFT	40403001	1	
157	GB893.1-32	RETAINING RING 32	20602004	1	
158	GB276-6002	BEARING 6002-2RZ	21001004	1	
159	MYZSK180.00.01.18-1	BELT TENSION WHEEL	40506009	1	
160	GB894.1-15	RETAINING RING 15	20601005	1	

PARTS LIST 9
MSR58 SERIES

WALKING CONTROL ASSY

MYZSK180-BOM09-A

MYZSK180-BOM09-A



PARTS LIST 9
MSR58 SERIES

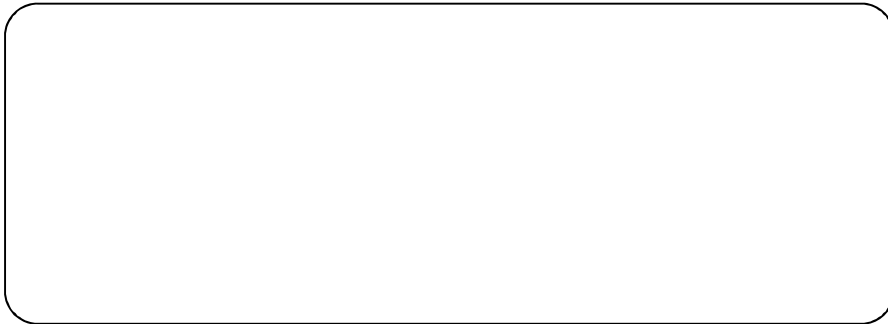
WALKING CONTROL ASSY

MYZSK180-BOM09-A

ITEM NO.	PART NO.	DESCRIPTION	ERP NO.	QTY	REMARK
161	MYZSK180.00.01.22-1	CONTROL BOX	40304004	1	
162	GB70.1-M5*30	SOCKET HEAD SCREW M5*30	20306006	2	
163	GB889-M5	HEXAGON LOCK NUT M5	20405001	4	
164	MYZSK180.00.01.22-9	GASKET	40504025	2	
165	MYZSK180.00.01.22-3	UPPER RESET FOLK	40206014	1	
166	MYZSK180.00.01.22-8	FOLK PIN	40402017	2	
167	MYZSK180.00.01.22-11	SEAL BLOCK	41204005	1	
168	GB93-5	SPRING WASHER Φ 5	20509002	5	
169	GB5783-M5*16	HEX BOLT M5*16	20102002	4	
170	MYZSK180.00.01.22-10	CONTROL BOX CAP	40201013	1	
171	MYZSK180.00.01.22-4	UNDER RESET FOLK	40206015	1	
172	MYZSK180.00.01.22-5	TENSION SPRING	40103014	2	
173	MYZSK180.00.01.22-6	LIMITED POST	40402016	1	
174	MYZSK180.00.01.22-7	BDU CONTROL LEVER	40201012	1	
175	GB889-M8	HEXAGON LOCK NUT M8	20405004	1	
176	GB70.1-M5*20	SOCKET HEAD SCREW M5*20	20306005	1	
177	GB889-M6	HEXAGON LOCK NUT M6	20405002	1	
178	GB5783-M6*20	HEX BOLT M6*20	20102054	1	



Distributed By



MASALTA ENGINEERING CO., LTD

Add: 20 Dalian Road, Baohe Industrial Estate, Hefei, China

Tel: 86-551-64846600, 64846601 Fax: 86-551-64846616

E-mail: sales@masalta.com.cn, masalta@mail.hf.ah.cn,

[Http://www.masalta.com.cn](http://www.masalta.com.cn)