



MASALTA®



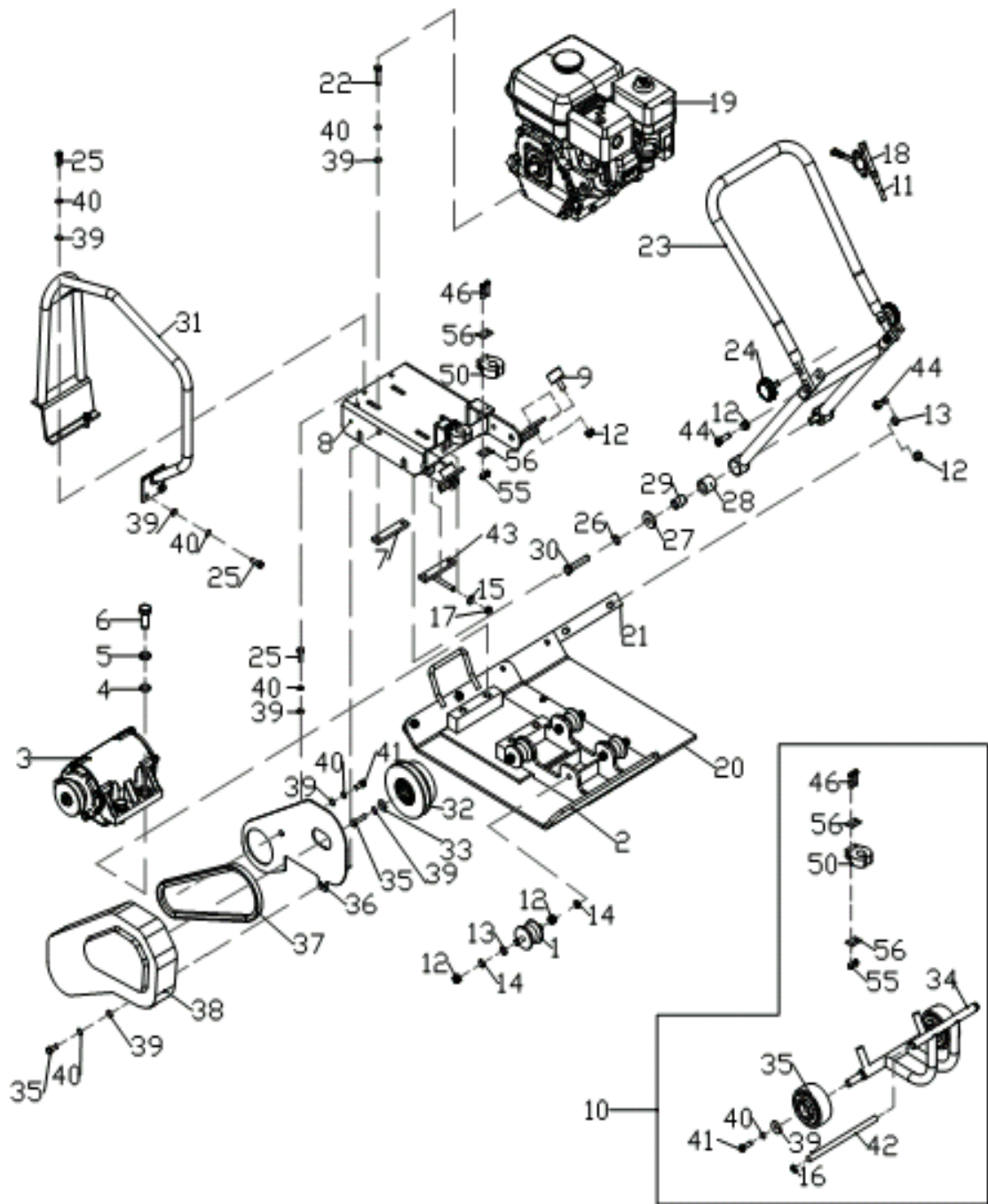
OPERATION MANUAL PLATE COMPACTOR MS60



WARNING

CE

To reduce the risk of injury, all operators and maintenance personnel must read and understand these instructions before operating, changing accessories, or performing maintenance on Masalta power equipment. All possible situations cannot be covered in these instructions. Care must be exercised by everyone using, Maintaining or working near this equipment.



MS60 PARTS LIST 1

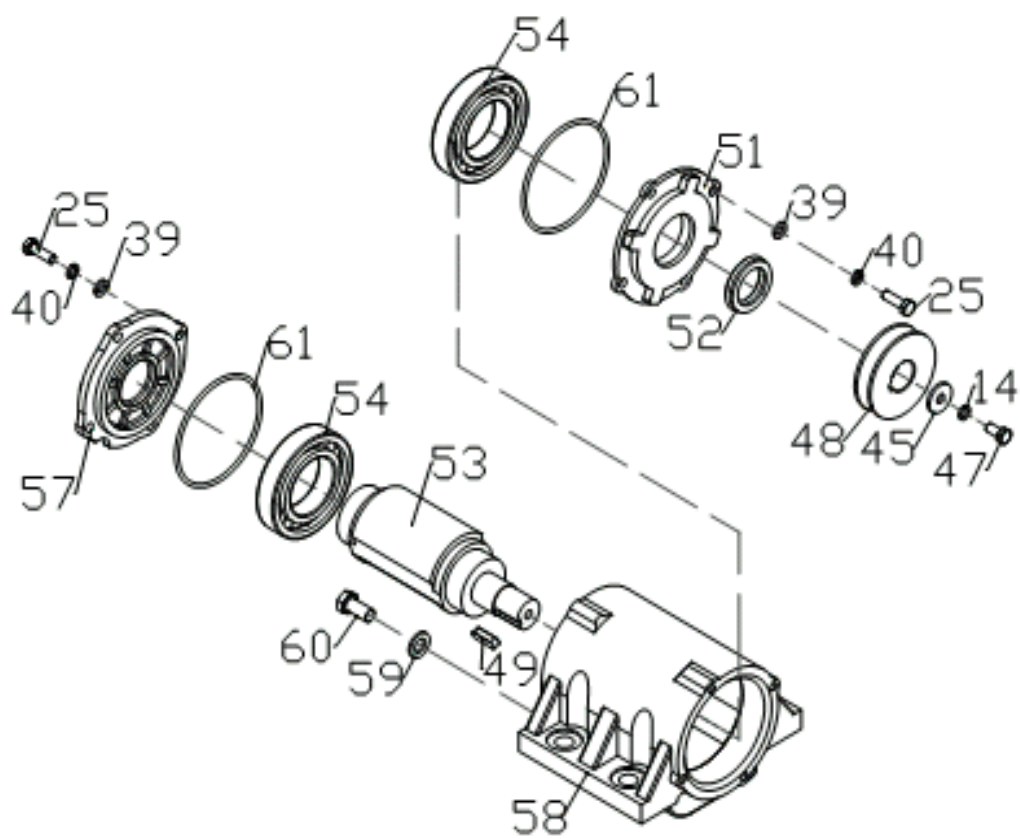
MS60 PARTS LIST 1

ITEM NO.	PART NO.	DESCRIPTION	QTY	WEIGHT(KG)	REMARK
1	103100	SHOCK ABSORBER	4	0.18	
2	103000	BASE PLATE	1	18.2	
3	104000	VIBRATOR ASSY	1	7.5	
4	095016	WASHER 16-GB93	4	0.008	
5	093016	SPRING WASHER 16-GB93	4	0.006	
6	057016-40	BOLT M16 X 40 - GB5783-86	4	0.09	
7	105100	ENGINE NUT	1	0.1	
8	105000	ENGINE MOUNTING PLATE WITH WHEEL PLATE	1	4.9	
9	106100	CUSHION PAD	2	0.06	
10	108000	WHEEL ASSY.	1	1.76	
11	109001	THROTTEL CABLE	1	0.06	
12	061010	NUT M10 - GB6170	15	0.009	
13	095010	WASHER 10 - GB95	7	0.001	
14	093010	SPRING WASHER 10-GB93	9	0.002	
15	109004	SMALL WASHER	1	0.01	
16	109005	WASHER 12	2	0.001	
17	061006	NUT M6	1	0.004	
18	109002	THROTTEL CONTROL	1	0.09	
19		ENGINE	1		
20	103001	RUBBER MAT (OPTIONAL)	1	1.59	
21	103002	FIX STRIP (OPTIONAL)	1	0.55	
22	057008-40	BOLT M8 X 40 - GB5783	4	0.017	
23	106000	FOLDABLE HANDLE ASSY.	1	3.2	
24	106007	KNOB	2	0.06	
25	057008-25	BOLT M8 X 25 - GB5783	13	0.016	
26	093012	SPRING WASHER 12 - GB93	2	0.004	
27	096012	WASHER 12 - GB96	2	0.013	
28	106002	RUBBER MOUNT	2	0.02	

(TO BE CONTINUED)

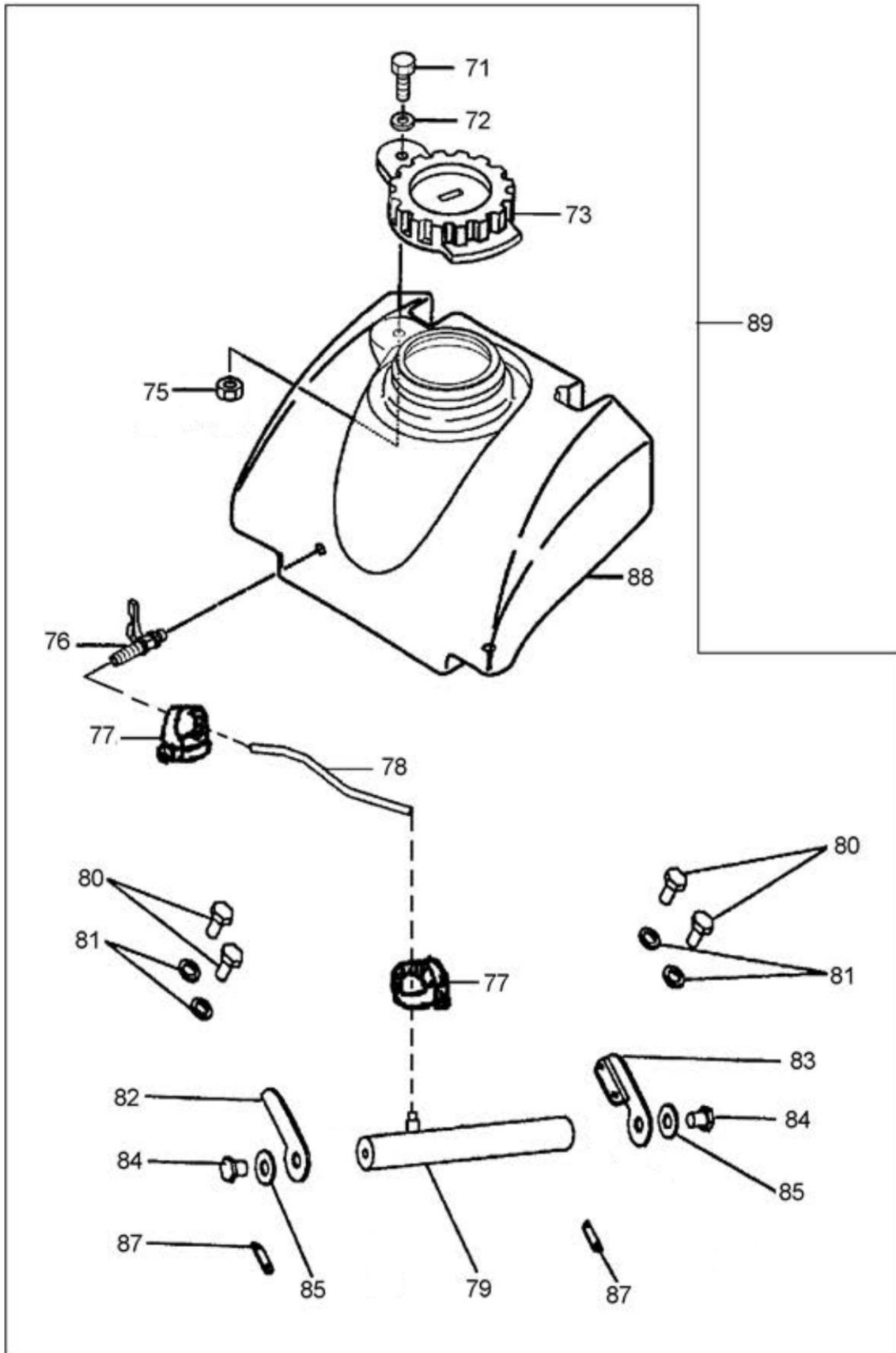
MS60 PARTS LIST 1

ITEM NO.	PART NO.	DESCRIPTION	QTY	WEIGHT(KG)	REMARK
29	106003	COLLAR	2	0.05	
30	057012	BOLT M12 x 60-GB5782	2	0.09	
31	101100	PROTECTIVE FRAME (OPTIONAL)	1	2.47 (P.) 2.67 (D.)	
32	152000	CLUTCH PULLEY ASSY.	1	2.3	
33	152005	CLUTCH WASHER	3	0.012	
34	108001	WHEEL SHAFT	1	1.11	
35	108002	WHEEL	2	0.27	
36	107001	INSIDE BELT COVER	1	1.07	
37	011544	V-BELT SPA - GB11544	1	0.09	
38	107000	BELT COVER	1	0.73	
39	095008	WASHER 8 - GB95	19	0.001	
40	093008	SPRING WASHER 8-GB93	21	0.002	
41	057008-20	BOLT M8 X 20 - GB5783	3	0.013	
42	108100	WHEEL SHAFT	1	0.19	
43	105003	NUT STRIP	1	0.13	
44	057010-30	BOLT M10X30-GB5783 (OPTIONAL)	2	0.025	
50	105001	RUBBER CLIP	2	0.036	
55	061006	NUT M6	4	0.002	
56	105002	CLIP PLATE	4	0.007	



MS60 PARTS LIST 2

ITEM NO.	PART NO.	DESCRIPTION	QTY	WEIGHT(KG)	REMARK
45	154003	WASHER	1	0.027	
46	057006	BOLT M6 X 30	4	0.008	
47	057010-25	BOLT M10 x 20-GB5783	1	0.02	
48	154004-1	PULLEY FOR HONDA ENGINE	1	0.47	
49	040008	KEY C8-GB1096	1	0.006	
51	154006	CASE COVER (L)	1	0.8	
52	098035	OIL SEAL 35 x 8-GB9877	1	0.02	
53	104007	ECCENTRIC ROTATOR	1	2.07	
54	027011	BEARING 6211-GB276	2	0.58	
57	154008	CASE COVER (R)	1	0.5	
58	154009	VIBRATING CASE	1	3.7	
59	154001	PACKING PIECE	1	0.001	
60	154002	PLUG SCREW	1	0.018	
61	034100	O-RING 100-GB3452.1	2	0.0039	



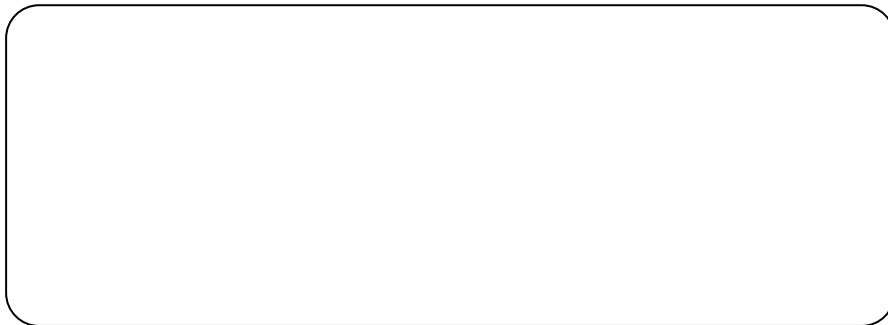
MS60 PARTS LIST 3

MS60 PARTS LIST 3

ITEM NO.	PART NO.	DESCRIPTION	QTY	WEIGHT(KG)	REMARK
71	0081800	BOLT M10X30-GB818	1	0.022	
72	0097010	WASHER 10-GB97.1	1	0.004	
73	A2008005-1	CAP OF WATER TANK	1	0.03	
75	0088910	NUT M10-GB889	1	0.009	
76	A2008007-1	COCK	1	0.03	
77	A2008003-1	CLIP HOOP	1	0.06	
78	A2008008	HOSE ϕ 10X100	1	0.04	
79	A2008009-1	SPRING PIPE	1	0.35	
80	0070008	BOLT M8X16-GB70	4	0.01	
81	0093008	SPRING WASHER8-GB93	4	0.0015	
82	A2008010	PIPE HOLDER (L.)	1	0.05	
83	A2008011	PIPE HOLDER (R.)	1	0.05	
84	0057838	BOLT M8X16-GB5783	2	0.01	
85	0093008	SPRING WASHER8-GB93	2	0.0025	
87	A2008013	RUBBER WASHER	2	0.0015	
88	A2008006-1	WATER TANK	1	1.61	
89	2008014	WATER TANK ASSY. (OPTIONAL)	1	2.08	



Distributed By



MASALTA ENGINEERING CO., LTD

Add: Weisi Road, Baohe Industrial Estate, Hefei, China
Tel: 86-551-4846600, 4846601 Fax: 86-551-4846616
E-mail: sales@masalta.com.cn, masalta@mail.hf.ah.cn,
[Http://www.masalta.com.cn](http://www.masalta.com.cn)