



**MASALTA®**



# OPERATION MANUAL PLATE COMPACTOR MS50 / MS60 / MS90 / MS100



MS50-2



MS60-2



MS90-4



MS100-4



**WARNING**



To reduce the risk of injury, all operators and maintenance personnel must read and understand these instructions before operating, changing accessories, or performing maintenance on Masalta power equipment. All possible situations cannot be covered in these instructions. Care must be exercised by everyone using, Maintaining or working near this equipment.

## CONTENTS

Introduction .....	1
Applications .....	1
Functions and controls.....	1
Accessories.....	1
Hazards and risks.....	1-3
Operation .....	3-4
Care and preventive maintenance.....	5-6
Specification .....	7-8
Transportation.....	8
Trouble shooting.....	9
Warranty .....	10
Maintenance Record .....	10
EC Declaration .....	11

## INTRODUCTION

Thanks for your selection of this equipment. We have taken care in the design, manufacture and testing of the product. It is covered by a six month warranty. Should service or spare parts be required, prompt and efficient service is available from our company or our agent.

### General safety instruction for the operation of power equipment

The goal of our company is to produce power equipment that helps the operator work safely and efficiently. The most important safety device for this or any tool is the operator. Care and good judgement are the best protection against injury. All possible hazards cannot be covered here, but we have tried to highlight some of the important items, individuals should look for and obey caution, warning and danger signs placed on equipment, and displayed in the workplace. Operators should read and follow safety instruction packed with each product.

Learn how each machine works. Even if you have previously used similar machines, carefully check out each machine before you use it. Get the "feel" of it and know it's capabilities, limitations, potential hazards, how it operates, and how it stops.

## HAZARDS AND RISKS

NEVER allow any person to operate the machine without adequate instruction.

ENSURE all operators read, understand and follow the operating instructions.

SERIOUS INJURY could result from improper or careless use of this machine.

Plate compactors are heavy units and should be positioned by two people of appropriate strength. Using the lifting handles provided on the machine, along with correct lifting techniques.

## APPLICATIONS

Trench compaction	Earthworks
Road maintenance	Landscaping
Brickpaving	Driveway topping

## FUNCTIONS AND CONTROLS

The motor is controlled by an ON/OFF switch or push button is mounted on the motor below the fuel tank.

Tension of the drive belt is adjustable, loosen the four nuts on the bolts which secure the motor to the base plate. Adjust the set screws which bear against the motor crankcase to achieve the required belt tension. Ensure that the four nuts and the set screw locknuts are tightened after adjustment.

## ACCESSORIES

Accessories	Model
Built-in wheel - for easy transportation.	MS50 series, MS60 series, MS90 series
Facility handling – Hooks Into the base plate.	MS100 series
Water tank – for dust reduction cement stabilised soil, bitumen hot mix.	MS60 series, MS90 series, MS100 series
Rubber Mat – for brick paving compaction	MSR60 series, MSR90 series, MSR100 series

## **! MECHANICAL HAZARDS**

DO NOT operate the machine unless all protective guards are in place.

KEEP handles and feet clear of rotating and moving parts as they will cause injury if contacted.

ENSURE that the motor operation switch is in the OFF position and the spark plug ignition lead is disconnected before removing the guards or making adjustments.

ENSURE both the machine and the operator are stable by setting up on level terrain and the machine will not tip over, slide or fall while in operation or unattended.

DO NOT leave the machine in operation while it is unattended.

ENSURE that the walls of a trench are stable and will not collapse due to the action of the vibration, prior to commencing compaction.

ENSURE that the area to be compacted does not contain any "live" electrical cables, gas, water or communication services which may be damaged by the action of vibration.

EXERCISE CARE when operating unit. Exposure to vibration or repetitive work actions may be harmful to hands and arms.

NEVER stand on the unit while it is operating.

DO NOT increase the governed no-load motor speed above 3,500 r/min. Any increase may result in personal injury and damage to the machine.

BE CAREFUL not to come in contact with the muffler when the engine is hot, since it can cause severe burns.

ENSURE that the repairs to the motor and machine are carried out by COMPETENT personnel.

## **! FIRE & EXPLOSION HAZARDS**

PETROL is extremely flammable and explosive under certain conditions.

ENSURE that the petrol is only stored in an approved storage container.

DO NOT refuel the motor while it is in operation or hot.

DO NOT refuel the motor in the vicinity of sparks, a naked flame or a person smoking.

DO NOT over fill the fuel tank and avoid spilling petrol when refueling. Spilled petrol or petrol vapour may ignite. If spillage occurs, ensure that the area is dry before starting the motor.

ENSURE that the fuel tank cap is securely fitted after refueling.

## **! CHEMICAL HAZARDS**

DO NOT operate or refuel a petrol or diesel motor in a confined area without adequate ventilation.

CARBON MONOXIDE exhaust gases from internal combustion motor driven units can cause death in confined spaces.

## **! NOISE HAZARDS**

EXCESSIVE NOISE can lead to temporary or permanent loss of hearing.

WEAR an approved hearing protection device to limit noise exposure. As required by Occupational Health and Safety regulations.

### PROTECTIVE CLOTHING

ALWAYS wear approved hearing protection when working in a confined work space. Protective goggles and a dust mask should be worn when working in a dusty environment. Protective clothing and footwear may also be desirable when working with hot mix bitumen.

### ! ADDITIONAL HAZARDS

Slip/Trip/Fall is a major cause of serious injury or death. Beware of uneven or slippery work surfaces.

Exercise care when working in the vicinity of unprotected holes or excavations.

## OPERATION

### Pre-start-up inspection

The following Pre-start-up inspection must be performed before the start of each work session or after every four hours of use, whichever is first.. If any fault is discovered, the compactor must not be used until the fault is rectified.

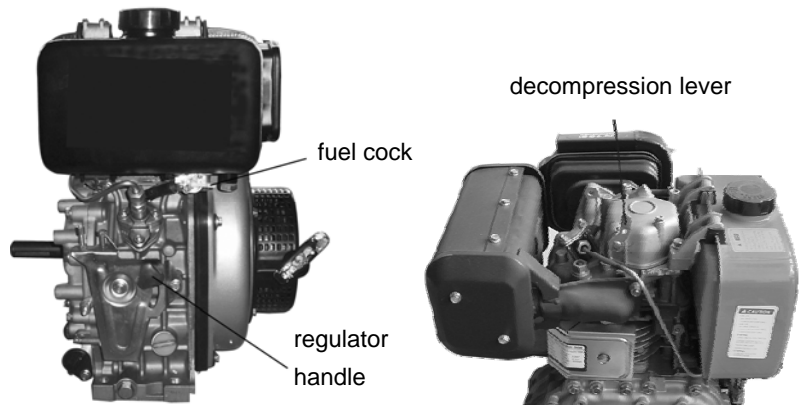
Thoroughly inspect the compactor for signs of damage. Check components are present and secure. Pay special attention to the belt drive safety guard fitted between the engine and the vibrator unit.

2. Check the engine oil level and top up as necessary.
3. Check the engine fuel level and top up as necessary.
4. Check for fuel and oil leaks

### Start and stop Procedure

#### Diesel Engine

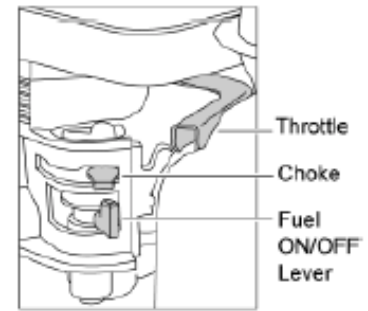
1. Open the fuel cock.
2. Turn the governor lever to "STARTING" position.
3. Hold the recoil starter handle.
4. Pull the starter handle until you feel the resistance, then return handle slowly.
5. Press the decompression lever to "Non-compression" position. The lever will return back automatically after the engine started.
6. Hold the recoil starter handle with two hands and pull it hardly.
7. It is difficult to start the engine at cold weather. Remove the rubber plug on the cylinder head and fill about 2CC engine oil before starting.
8. To stop the engine, set the governor lever to the low speed position, then run the engine at zero load five minutes.
9. Set the governor lever to the "STOP" position. Do not stop the engine with the decompression lever.
10. Set the fuel cock the "OFF" position.
11. Pull the recoil starter handles slowly, until you feel resistance. (At this point, the decompression just begins and intake/exhaust valves are both closed, thus the cylinder can be prevented from rust.)



#### Petrol Engine

1. Open the fuel tap by moving the fuel ON/OFF lever fully to the right.
2. If starting the engine from cold, set the choke ON by moving the choke lever fully to the left. If restarting a warm engine, the choke is usually not required. However, if the engine has cooled to a degree, partial choke may be required.

3. Turn the engine ON/OFF switch clockwise to the "1" position.
4. Set the throttle to the idle position by moving the throttle lever fully to the right. Do not start the engine on full throttle, as the compactor will vibrate as soon as the engine starts.
5. Taking a firm hold of the control handle with one hand, grasp the recoil starter
6. handle with the other. Pull the recoil starter until engine resistance is felt, then
7. let starter return.
8. Taking care not to pull the starter's cope fully out, pull the starter handle briskly.
9. Repeat until the engine fires.
10. Once the engine fires gradually, set the choke lever to the OFF position by
11. moving it to the right.
12. If the engine fails to fire after several attempts, follow the trouble-shooting guide on page 9.
13. To stop the engine, set the throttle to idle and turn the engine ON /OFF switch anticlockwise to the "0" position.
14. Turn the fuel off.



The machine is best suited to the compaction of bituminous and granular materials e.g. granular soils such as silt and clay are best compacted using the impact force produced by a vibrating rammer.

Where possible the site should be graded and leveled before commencing compaction.

Correct moisture content in soil is vital to proper compaction. Water acts as a lubricant to help slide soil particles together. Too little moisture means inadequate compaction; too much moisture leaves water-filled voids that weaken the soil's load-bearing ability.

Compaction of dry materials will be facilitated by moistening with a water hose fitted with a sprinkler.

Excessive watering or water content will cause the machine to stall.

The optional water tank kit is recommended when the machine is used on bituminous surfaces as the water film prevents a build up of material on the underside of the plate.

Use unleaded grade petrol and ensure that the fuel is free from contamination.

The vibratory motion provides a self propelling action. Position the handle at the opposite end of the machine to the vibrator.

For more information on starting and correct operating procedures of the motor, refer to the motor operation manual supplied with the unit.

Increase the motor speed to the maximum setting using the hand throttle lever, before commencing compacting.

The machine should be controlled by grasping the handle with both hands and applying restraint to control the forward motion.

Steer the machine by moving the handle sideways to the right or left.

ALWAYS maintain good footing so that you do not slip and loose control when starting or operating the machine.

If the optional water tank is fitted, the flow rate can be controlled by adjusting the cock in the supply hose to sprinkler bar.

Inspect the water hose and its connections to ensure that they do not leak.

## CARE AND PREVENTIVE MAINTENANCE

Check the oil level in the motor crankcase daily.

Inspect the rubber anti vibration mounts for wear or deterioration.

If the optional water tank is fitted inspect the water hose and its connections to ensure that they do not leak.

Clean the underside of the plate regularly to prevent a build up of material.

### CAUTION:



Inspection and other services should always be carried out on hard and level ground with the engine shutdown.

#### Inspection and Maintenance Service Tables.

To make sure your plate compactor is always in good working condition before using, carry out the maintenance inspection in accordance with Tables 1 through 3.

**TABLE 1. MACHINE INSPECTION**

Item	Hours of Operation
(Starting check)	Every 8 hours (every day)
Loosened or lost screws	Every 8 hours (every day)
Damage of any part	Every 8 hours (every day)
Function of controlling system part	Every 8 hours (every day)
Vibrator oil check	Every 100 hours
Vibrator oil replacement	Every 200 hours
V-belt (clutch) check	Every 200 hours

**TABLE 2. ENGINE CHECK**

(For details, see separate engine Manual)	
Item	Hours of Operation
Leakage of oil fuel	Every 8 hours (every day)
Tightness of fastening Threads	Every 8 hours (every day)
Engine oil check and replenishment	Every 8 hours (every day) (Replenish to specified Max. level)
Engine oil replenishment	At first 20 hours, then every 100 hours
Air cleaner cleaning	Every 50 hours

**TABLE 3. TIGHTENING TORQUE (in. kg/cm) Diameter**

Material	6mm	8mm	10mm	12mm	14mm	16mm	18mm	20mm
4T	70	150	300	500	750	1100	1400	2000
6-8T	100	250	500	800	1300	2000	2700	3800
11T	150	400	800	1200	2000	2900	4200	5600
*	100 (6mm)		300-350 (8mm)		650-700 (10mm)			
*(In case counter-part is of aluminium)								
(Threads in use with this machine are all right handed)								
Material and quality of material is marked on each bolt, and screw.								

### CAUTION:



These inspection intervals are for operation under normal conditions. Adjust your inspection intervals based on the number hours plate compactor is in use, and particular working conditions.

### CAUTION:



Fuel piping and connections should be replaced every 2 years.

#### Daily Service

- Check for leakage of fuel or oil.
- Remove soil and clean the bottom of compaction plate.
- Check engine oil.
- Check for loose screws including tightness. See Table 3 above (tightening torque), for retightening.

## Changing Vibrator Oil / Vibrator Grease

When changing the vibrator oil, remove the drain plug located at the bottom-right of the vibrator, and simply tip the compactor to drain the oil. Note that the oil will drain more easily while it is hot. For MS50 series, MS60 series, MS80 series, MS90 series, replace the oil with 200ML of 10W-30 motor oil; For MS100 series, check and regrease exciter every 500 hours of operation, use SHELL ALVANIA R3 grease or equivalent.

## Air Filter

1. The air filter element should be cleaned because a clogged air cleaner can cause poor engine starting, lack of power and shorten engine life substantially.
2. To clean or replace air filter loosen the wing nut on the air filter housing (Figure 1), remove the cover and take out air filter cartridge. If only cleaning of the air filter is desired blow through the air filter cartridge from the inside, moving a jet of dry compressed air up and down until all dust is removed.

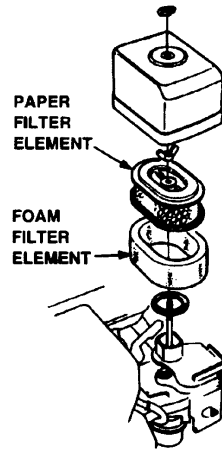


Figure 1 Air Filter

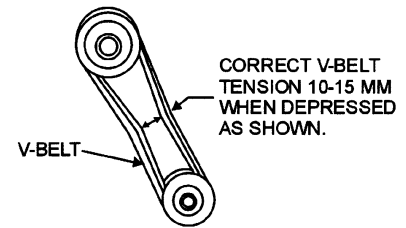


Figure 2. V-Belt Tension

## CAUTION:



**NEVER** attempt to check the V-belt with the engine running. Severe injury can occur if your hand gets caught between the V-belt and the clutch. Always use safety gloves.

### ● Checking and Replacing the V-belt and Clutch

After 200 hours of operation, remove the upper belt cover to check the V-belt tension (Figure 2). Tension is proper if the belt bends about 10mm when depressed strongly with finger between shafts. Loose or worn V-belts reduces power transmission efficiency, causing weak compaction and reduces the life of the belt itself.

## CAUTION:



Whenever the compactor's vibration becomes weak or lost during normal operation regardless of operation hours, check the V-belt and clutch immediately.

### ● Replacing the V-belt

Remove the upper and lower belt covers. Engage an offset wrench (13mm) or the like to vibrator pulley (lower) fastening bolt. Engage waste cloth or the like at midway of V-belt on the left side and while pulling it back strongly, rotate the offset wrench clockwise so that the V-belt will come off.

### ● Reinstalling the V-belt

Engage V-belt to lower vibrator pulley and push the V-belt to left side of upper clutch and, in the same manner as in removal, rotate offset wrench clockwise so that the V-belt goes back on.

### ● Checking Clutch

Check the clutch simultaneously with V-belt checking. With belt removed, check outer drum of the clutch for seizure and "V" groove for wear or damage with your eyes. Clean the "V" groove as necessary. Wear of lining or shoe should be checked with running check. If the shoe is worn, power transmission becomes deficient and slipping will result.

## SPECIFICATIONS

### Motor

Model		Engine Type	Max. Output
MS50	MS50-2	Chinese Petrol Engine	1.8 kW (2.5hp)
MS60	MS60-2	Chinese Petrol Engine	4.1 kW (5.5hp)
	MS60-3	Petrol, Robin EX13	3.2 kW (4.3hp)
	MS60-4	Petrol, Honda GX160	4.1 kW (5.5hp)
MS90	MS90-1	Diesel, Kipor 170	3.1 kW (4.2hp)
	MS90-2	Chinese Petrol Engine	4.8 kW (6.5hp)
	MS90-3	Petrol, Robin EX17	4.2 kW (5.7hp)
	MS90-4	Petrol, Honda GX160	4.1 kW (5.5hp)
MS100	MS100-1	Diesel, Kipor 170	3.1 kW (4.2hp)
	MS100-2	Chinese Petrol Engine	4.8 kW (6.5hp)
	MS100-3	Petrol, Robin EX17	4.2 kW (5.7hp)
	MS100-4	Petrol, Honda GX160	4.1 kW (5.5hp)

**Governed Speed** - 3,500r/min

### Drive Belt

1 x 'A' section vee belt

### Vibrator

Model	MS50 series	MS60 series	MS90 series	MS100 series
Frequency (vibration/min)	5900	5600	5500	7000
Centrifugal Force (kN)	8.2	10.5	13.0	19.8

### Operation Mass:

Model		Operation Mass (kg)		Model	Operation Mass (kg)
MS50	MS50-2	54	MS90	MS90-1	94
MS60	MS60-2	62		MS90-2	84
	MS60-3	61		MS90-3	83
	MS60-4	62		MS90-4	83
			MS100	MS100-1	104
				MS100-2	94
				MS100-3	93
				MS100-4	93

### Bearings

The following bearings are sealed:

Centrifugal clutch – grease lubricated

Vibrator – oil bath lubricated



**Acoustic Noise (According to 2000/14/EC)**

Model	MS80-1, MS90-1, MS100-1	MS50-2, MS60-2/3/4, MS80-2/3/4, MS90-2/3/4, MS100-2/3/4
Measured sound power level	105dB	102.2dB
Guaranteed sound power level	108dB	105.2dB
Uncertainty	3dB	3dB

**Nameplate**

**PLATE COMPACTOR MS100-** **CE**

Frequency (vpm):	<b>7000</b>	Operation Mass (kg):	
Power (kW):		Centrifugal Force (kN):	<b>19.8</b>
Speed (cm/s):	<b>45</b>	Compaction Depth (cm):	<b>30</b>
Manuf. Yr.:	<b>2007</b>	Serial No.:	<b>H100 07</b>

**Masalta Engineering Co., Limited**  
Rm 501, Fortune Plaza, No.278 of Suixi Rd., Hefei China  
[Http://www.masalta.com.cn](http://www.masalta.com.cn)

**Hand-Arm-Vibration (as per ISO8662, Part 1, m/s<sup>2</sup>): 4-9**

**Working Size (L X W X H):**

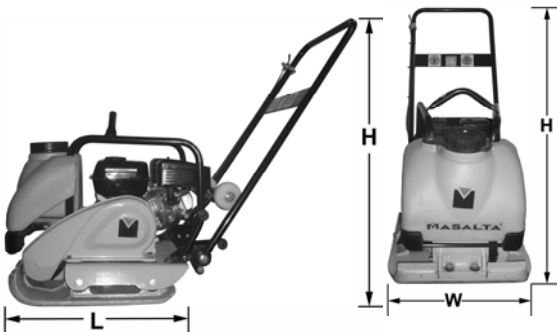
MS50 series: 31 x 90 x 88 CM



MS60 series: 108 x 40 x 80 CM



MS90 series: 110 x 83 x 50 CM



MS100 series: 110 x 46 x 66 CM



**TRANSPORTATION**

1. Always shut off engine when transporting machine.
2. Make sure lifting device has enough capacity to hold machine (see identification plate on machine for weight).
3. Use lifting point when lifting machine.
4. Trolley wheel as optional is used for short distance transportation.

## TROUBLE SHOOTING

SYMPTOM	POSSIBLE CAUSES	SOLUTION
Travel speed too low, and vibration is weak.	Engine speed too low?	Set engine speed to correct RPM.
	Clutch slips?	Check or replace clutch.
	V-belt slips?	Adjust or replace V-belt.
	Excessive oil in vibration?	Drain excess oil and fill to proper level.
	Malfunction in vibrator housing?	Check eccentric, gears and counter weights.
	Bearing Failure?	Replace Bearing
	Insufficient engine output?	Check engine, compression etc.

## ENGINE TROUBLE SHOOTING

SYMPTOM	POSSIBLE CAUSE	SOLUTION
Difficult to start, "fuel is available, but no SPARK at spark plug".	Spark plug bridging?	Check gap, insulation or replace spark plug.
	Carbon deposit on spark plug?	Clean or replace spark plug.
	Short circuit due to deficient spark plug insulation?	Check spark plug insulation, replace if worn.
	Improper spark plug gap?	Set to proper gap.
Difficult to start, "fuel is available, and SPARK is present at spark plug.	ON/OFF switch is shorted?	Check switch wiring, replace switch.
	Ignition coil defective?	Replace ignition coil.
	Improper spark gap, points dirty?	Set correct spark gap and clean points.
	Condenser insulation worn or short circuiting?	Replace condenser.
Difficult to start, "fuel is available, spark is present and compression is normal"	Spark plug wire broken or short circuiting?	Replace defective spark plug wiring
	Wrong fuel type?	Flush fuel system, and replace with correct type of fuel.
	Water or dust in fuel system?	Flush fuel system.
	Air cleaner dirty?	Clean or replace air cleaner.
Difficult to start, "fuel is available, spark is present and compression is low.	Suction/exhaust valve stuck or protruded?	Re-seat valves.
	Piston ring and/or cylinder worn?	Replace piston rings and or piston.
	Cylinder head and/or spark plug not tightened properly?	Torque cylinder head bolts and spark plug.
	Head gasket and/or spark plug gasket damaged?	Replace head and spark plug gaskets.
No fuel present at carburetor.	Fuel not available in fuel tank?	Fill with correct type of fuel.
	Fuel cock does not open properly?	Apply lubricant to loosen fuel cock level, replace if necessary.
	Fuel filter clogged?	Replace fuel filter.
	Fuel tank cap breather hole clogged?	Clean or replace fuel tank cap.
	Air in fuel line?	Bleed fuel line.
"Weak in power" compression is proper and does not mistire.	Air cleaner not clean?	Clean or replace air cleaner.
	Improper level in carburetor?	Check float adjustment, re-build carbureator.
	Defective Spark plug?	Clean or replace spark plug.
"Weak in power" compression is proper but mistires.	Water in fuel system?	Flush fuel system, and replace with correct type of fuel.
	Dirty spark plug?	Clean or replace spark plug.
	Ignition coil defective?	Replace ignition coil.
Engine overheats.	Spark plug heat value improper?	Replace with correct type of spark plug.
	Correct type of fuel?	Replace with correct type of fuel.
	Cooling fins dirty?	Clean cooling fins.
Rotational speed fluctuates.	Governor adjusted correctly?	Adjust governor.
	Governor spring defective?	Replace governor spring.
	Fuel flow restricted?	Check entire fuel system for leaks or clogs.
Recoil starter malfunction.	Recoil mechanism clogged with dust and dirt?	Clean recoil assembly with soap and water.
	Spiral spring loose?	Replace spiral spring.

**WARRANTY**

These products are covered by warranty for a period of six (6) months from the date of purchase against defects in material or workmanship provided that:

- The product concerned has been operated and maintained in accordance with the operating instructions.
- Has not been damaged by accident, misuse or abuse.
- Has not been tampered with or repaired by any unauthorized person.

The owner is responsible for the cost of transportation to and from the authorized repairer and the unit is at the owners risk while in transit to and from the repairer.

**Impact damage is not covered under warranty. Clutches are not covered under any warranty. Engines are warranted by their manufacturer.**

**MAINTENANCE RECORD**

**PREVENTATIVE MAINTENANCE AND ROUTINE SERVICE PLAN**

This Plate Compactor has been assembled with care and will provide years of service. Preventative maintenance and routine service are essential to the long life of your Plate Compactor. After reading through this manual thoroughly, you will find that you can do some of the regular maintenance yourself. However, when in need of parts or major service, be sure to see your dealer. For your convenience we have provided this space to record relevant data about your Plate Compactor.

Invoice Number:		Type of Machine:	
Date Purchased:		Dealer Name:	
Serial Number:		Dealer Phone:	

REPLACEMENT PARTS USED					MAINTENANCE LOG	
PART NO.	DESCRIPTION	QUANTITY	COST	DATE	DATE	OPERATION

**EC DECLARATION OF CONFORMITY  
CE-KONFORMITÄTSERKLÄUNG  
DECLARACIÓN DE CONFORMIDAD DE LA CE  
DÉCLARATION DE CONFORMITÉ C.E.**

**MASALTA ENGINEERING CO., LTD**  
**20 Dalian Road, Baohe Industrial Estate, HeFei 230051, China**

hereby certifies that the construction equipment specified hereunder / bescheinigt, da. das Bauger.t / certifica que la máquina de construcción / atteste que le matériel :

1. Category / Art / Categoría / Catégorie:  
**Plate Compactor**
2. Type / Typ / Tipo / Type:  
**MS50/MS60/MS90/MS100**

Has been sound tested per Directive 2000/14/EC/ In Übereinstimmung mit Richtlinie 2000/14/EG bewertet worden ist / Ha sido ensayado en conformidad con la norma 2000/14/CE/ A été mis à l'épreuve conforme aux dispositions de la directive 2000/14/CEE:

Conformity Assessment Procedure/ Konformitätsbewertungsverfahren/ Procedimiento para ensayar conformidad / Procédé pour l'épreuve de conformité	Name and address of notified body / Bei folgender einbezogener Prüfstelle / Oficina matriculadora / Organisme agréé	Measured sound power level / Gemessener Schalleistungspegel / Nivel de potencia acústica determinado / Niveau de puissance acoustique fixé	Guaranteed sound power level / Garantierter Schalleistungspegel / Nivel de potencia acústica garantizado / Niveau de puissance acoustique garanti
<b>Annex VI / Anhang VI / Anex VI / Annexe VI</b>	<b>AV TECHNOLOGY AVTECH House, Arkle Avenue, Stanley Green Trading Estate Handforth, Cheshire, SK9 3RW, United Kingkom.</b>	<b>MS90/MS100 with Diesel Engine 105dB MS50/MS60/MS90/MS100 with Petrole Engine 102.2dB</b>	<b>MS90/MS100 with Diesel Engine 108dB MS50/MS60/MS90/MS100 with Petrole Engine 105.2dB</b>

has been produced in accordance with the following standards:/in übereinstimmung mit folgenden Richtlinien hergestellt worden ist:/ha sido fabricado en conformidad con las siguientes normas: / a été produit conformément aux dispositions des directives européennes ci-après :

**2005/88/EC  
2006/42/EC  
2004/108/EC/EN55012:2007  
EN500-1  
EN500-4**



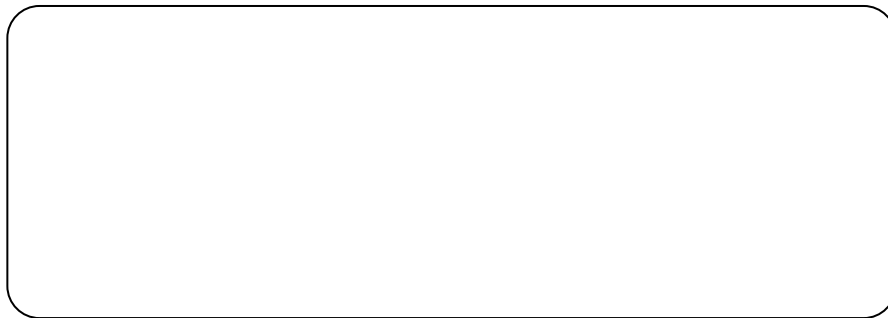
15.02.10

Hermann Josef Lensing  
Research and Development Manager

-----  
Date / Datum / Fecha / Date



*Distributed By*



MASALTA ENGINEERING CO., LTD

Add: 20 Dalian Road, Baohe Industrial Estate, Hefei, China

Tel: 86-551-64846600, 64846601 Fax: 86-551-64846616, 64846626

E-mail: [sales@masalta.com.cn](mailto:sales@masalta.com.cn), [masalta@mail.hf.ah.cn](mailto:masalta@mail.hf.ah.cn)

[Http://www.masalta.com.cn](http://www.masalta.com.cn)