

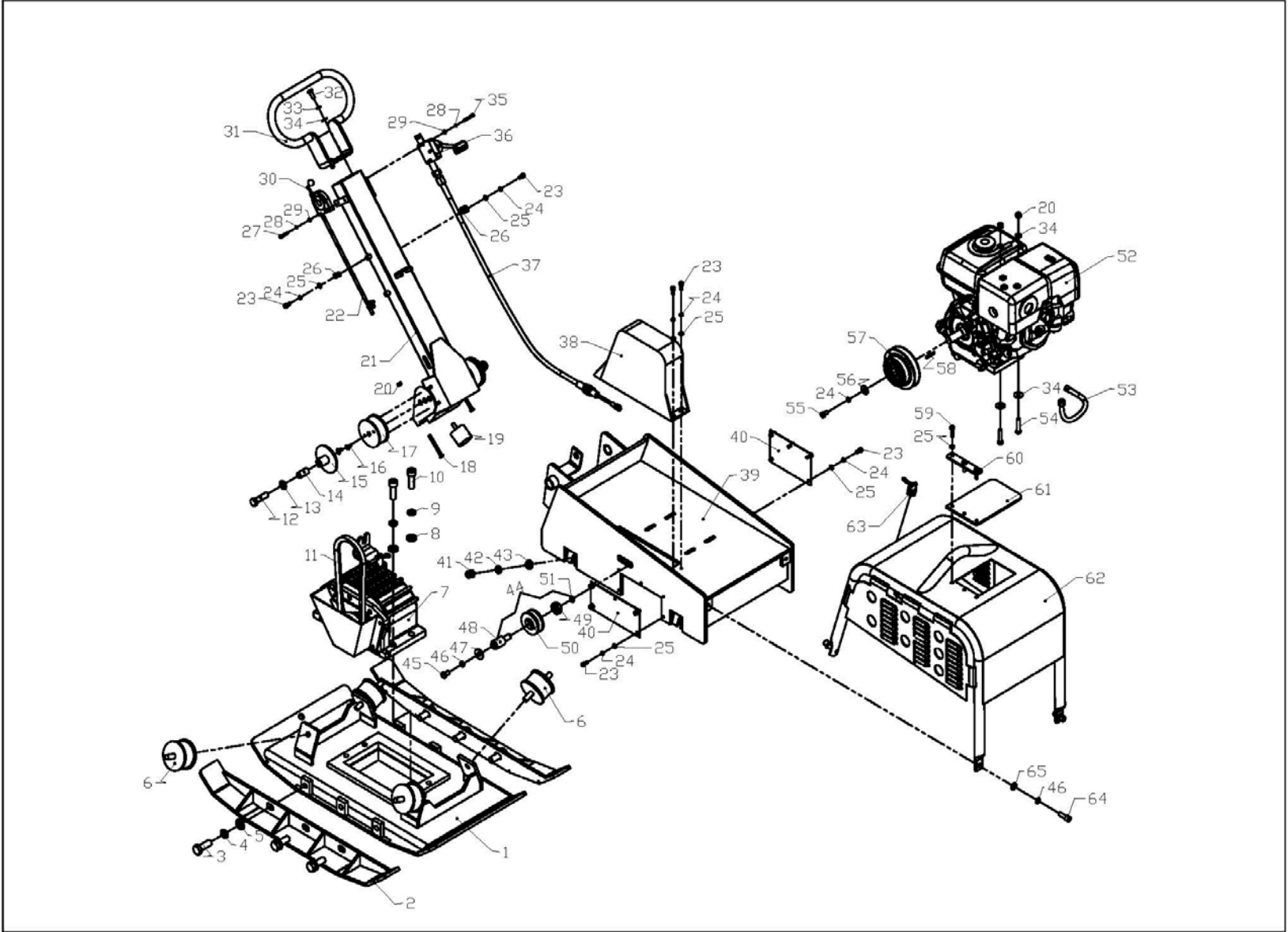


MASALTA®



PARTS MANUAL REVERSIBLE PLATE COMPACTOR MS330



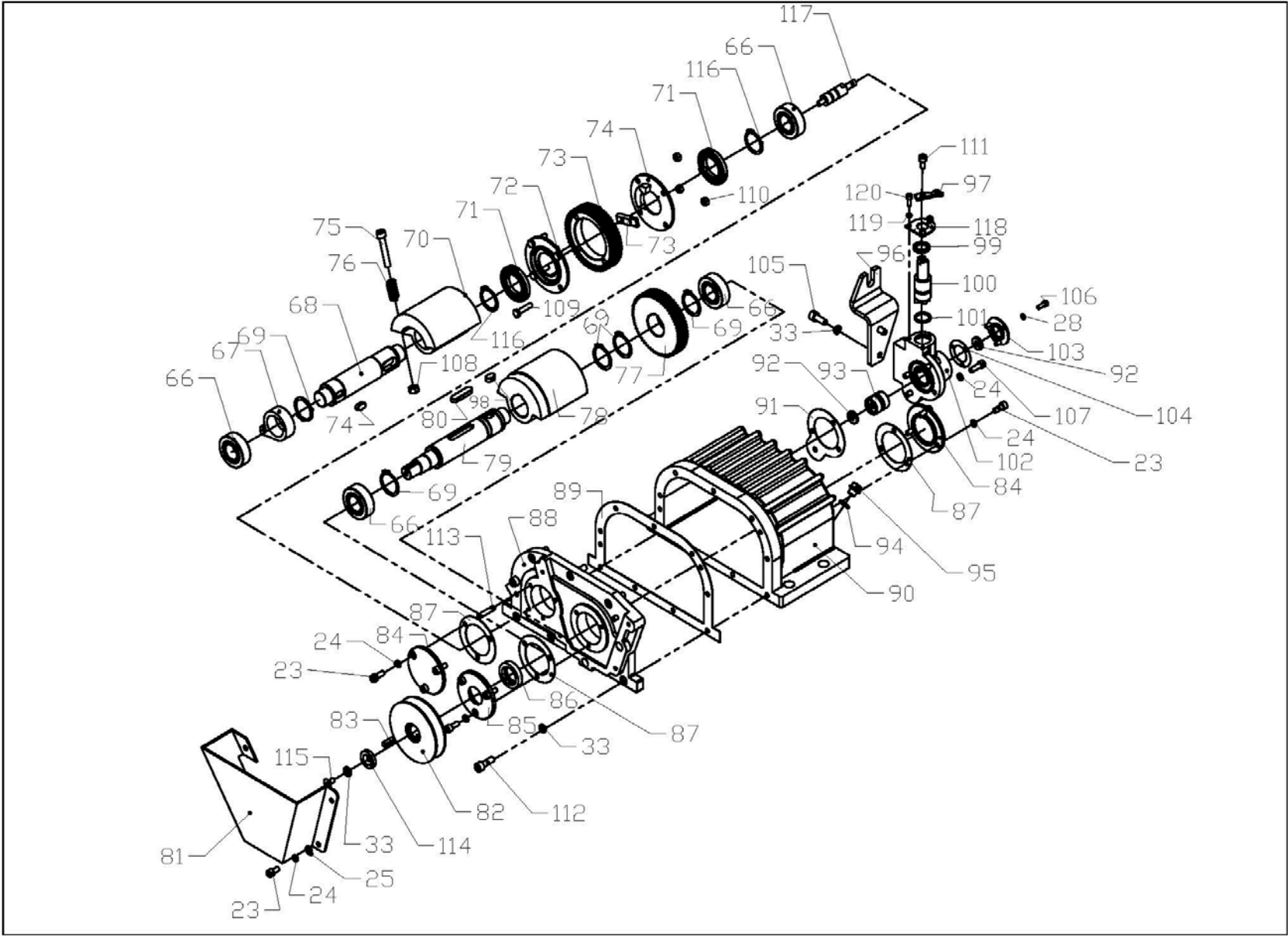


MS330 PARTS LIST 1

ITEM NO.	PART NO.	DESCRIPTION	QTY	REMARK
1	X33010001	BASE PLATE ASSEMBLY	1	
2	X33010002	EXTENSION PLATE	2	
3	X33010003	OUTER HEXAGONAL SCREW M20*60	6	
4	X33010004	SPRING WASHER C20	6	
5	X33010005	FLAT WASHER C20	6	
6	X33010006	VIBRATION DAMPER	4	
7	X33010007	VIBRATION BOX	1	
8	X33010008	FLAT WASHER C18	4	
9	X33010009	SPRING WASHER C	4	
10	X33010010	HEXAGONAL SOCKET SCREW M18*55	4	
11	X33010011-1	BELT FOR PETROL ENGINE	1	
	X33010011-2	BELT FOR DIESEL ENGINE	1	
12	X33010012	OUTER HEXAGONAL SCREW M16*60	2	
13	X33010013	FLAT WASHER C16	2	
14	X33010014	STEEL PIPE	2	
15	X33010015	NYLON WASHER	2	
16	X33010016	SCREW M8*20	4	
17	X33010017	SHOCK ABSORBER	2	
18	X33010018	OUTER HEXAGONAL SCREW M10*45	2	
19	X33010019	RUBBER COCK	1	
20	X33010020	NUT M10	1	
21	X33010021	HANDLE BRACKET	1	
22	X33010022	THROTTLE CONTROL CABLE	1	
23	X33010023	OUTER HEXAGONAL SCREW M8*20	14	
24	X33010024	SPRING WASHER C8	14	
25	X33010025	FLAT WASHER C8	14	
26	X33010026	RUBBER CLAMP	3	
27	X33010027	HEXAGONAL SOCKET SCREW M6*30	3	
28	X33010028	SPRING WASHER C6	6	

29	X33010029	FLAT WASHER C6	6	
30	X33010030	THROTTLE CONTROL LEVER	1	
31	X33010031	HANDLE	1	
32	X33010032	OUTER HEXAGONAL SCREW M10*30	1	
33	X33010033	SPRING WASHER C10	5	
34	X33010034	FLAT WASHER C	5	
35	X33010035	HEXAGONAL SOCKET SCREW M6*45	3	
36	X33010036	REVERSAL HANDLE	1	
37	X33010037	REVERSAL CABLE	1	
38	X33010038-1	BELT GUARD FOR PETROL ENGINE	1	
	X33010038-2	BELT GUARD FOR DIESEL ENGINE	1	
39	X33010039-1	MOUNTING PLATE FOR PETROL ENGINE	1	
	X33010039-2	MOUNTING PLATE FOR DIESEL ENGINE	1	
40	X33010040	NAMEPLATE BOARD	1	
41	X33010041	NUT M24	4	
42	X33010042	SPRING WASHER C24	4	
43	X33010043	FLAT WASHER C24	4	
44	X33010044	TENSIONING WHEEL ASSEMBLY	1	
45	X33010045	HEXAGONAL SCREW M12*30*1.25	1	
46	X33010046	BIG FLAT WASHER C12	1	
47	X33010047	SPRING WASHER C12	1	
48	X33010048	TENSIONING WHEEL SHAFT	1	
49	X33010049	BEARING 6205RZ	2	
50	X33010050	TENSIONING WHEEL SLEEVE	1	
51	X33010051	CLAMP C53	1	
52	X33010052	ENGINE	1	
53	X33010053	OIL DRAIN PIPE	1	
54	X33010054	HEXAGONAL SCREW M10*50	4	
55	X33010055	SOCKET SCREW M8*30	1	
56	X33010056	BIG FLAT WASHER C8	1	
57	X33010057	CLUTCH ASSY.	1	
58	X33010058	KEY	1	
59	X33010059	HEXAGONAL SCREW M8*45	3	

60	X33010060	RUBBER BAR	1	
61	X33010061	RUBBER PIECE	1	
62	X33010062-1	PROTECTION FRAME FOR PETROL ENGINE	1	
	X33010062-2	PROTECTION FRAME FOR DIESEL ENGINE	1	
63	X33010063	BOLT	1	
64	X33010064	SOCKET SCREW M12*40	4	
65	X33010065	FLAT WASHER C12	4	



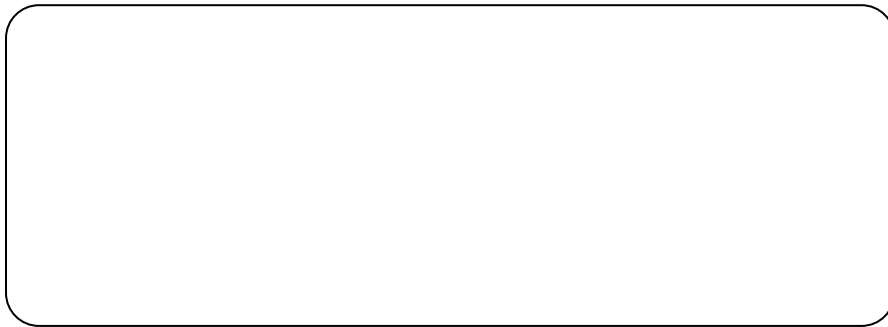
MS330 PARTS LIST 2

ITEM NO.	PART NO.	DESCRIPTION	QTY	REMARK
66	X33010066	BEARING NJ2206	4	
67	X33010067	BUFFER RING	1	
68	X33010068	BEARING CLAMP C42	1	
69	X33010069	MINOR BEARING	3	
70	X33010070	ECCENTRIC GEAR	1	
71	X33010071	BEARING 16008	2	
72	X33010072	CLUTCH DISC 1	1	
73	X33010073	GEAR RING	1	
74	X33010074	CLUTCH DISC 2	1	
75	X33010075	HEXAGONAL SOCKET SCREW M12*60	1	
76	X33010076	SPRING	1	
77	X33010077	GEAR	1	
78	X33010078	MAIN ECCENTRIC GEAR	1	
79	X33010079	MAIN SHAFT	1	
80	X33010080	KEY	1	
81	X33010081	UNDER BELT GUARD	1	
82	X33010082	PULLY	1	
83	X33010083	KY	1	
84	X33010084	COVER	2	
85	X33010085	GENERAL COVER	1	
86	X33010086	OIL SEAL	1	
87	X33010087	PAPER WASHER WITH THREE HOLE	3	
88	X33010088	BOX COVER	1	
89	X33010089	BOX PAPER WASHER	1	
90	X33010090	BOX	1	
91	X33010091	REVERSAL CASE WASHER	1	
92	X33010092	BEARING	2	
93	X33010093	SLEEVE	1	
94	X33010094	COPPER C14	1	
95	X33010095	SCREW M14	1	
96	X33010096	CABEL BRACKET	1	
97	X33010097	CABLE CONNECTOR	1	
98	X33010098	KEY	1	

99	X33010099	BEARING CLAMP	1	
100	X33010100	STEERING SHAFT	1	
101	X33010101	O RING	1	
102	X33010102	REVERSAL CASE	1	
103	X33010103	CAP OF REVERSAL CASE	1	
104	X33010104	PAPER WASHER	1	
105	X33010105	HEXAGONAL SOCKET SCREW M10*20	1	
106	X33010106	HEXAGONAL SOCKET SCREW M6*22	3	
107	X33010107	HEXAGONAL SOCKET SCREW M8*20	3	
108	X33010108	NUT M12	1	
109	X33010109	OUTER HAXAGONAL M8*35	4	
110	X33010110	NUT M8	4	
111	X33010111	OUTER HEXAGONAL SCREW M8*20	1	
112	X33010112	HEXAGONAL SOCKET SCREW M10*30	9	
113	X33010113	PIN	2	
114	X33010114	BIG FLAT WASHER C10	1	
115	X33010115	HEXAGONAL SCREW M10*20	3	
116	X33010116	BEARING CLAMP C40	1	
117	X33010117	SMALL BEARING	1	
118	X33010118	PLATEN FOR OIL SEAL	1	
119	X33010119	SPRING WASER C5	3	
120	X3301020	HEXAGONAL SOCKET SCREW 5*16	3	



Distributed By



MASALTA ENGINEERING CO., LTD

Add: Weisi Road, Baohe Industrial Estate, Hefei, China
Tel: 86-551-4846600, 4846601 Fax: 86-551-4846616
E-mail: sales@masalta.com.cn, masalta@mail.hf.ah.cn,
[Http://www.masalta.com.cn](http://www.masalta.com.cn)