

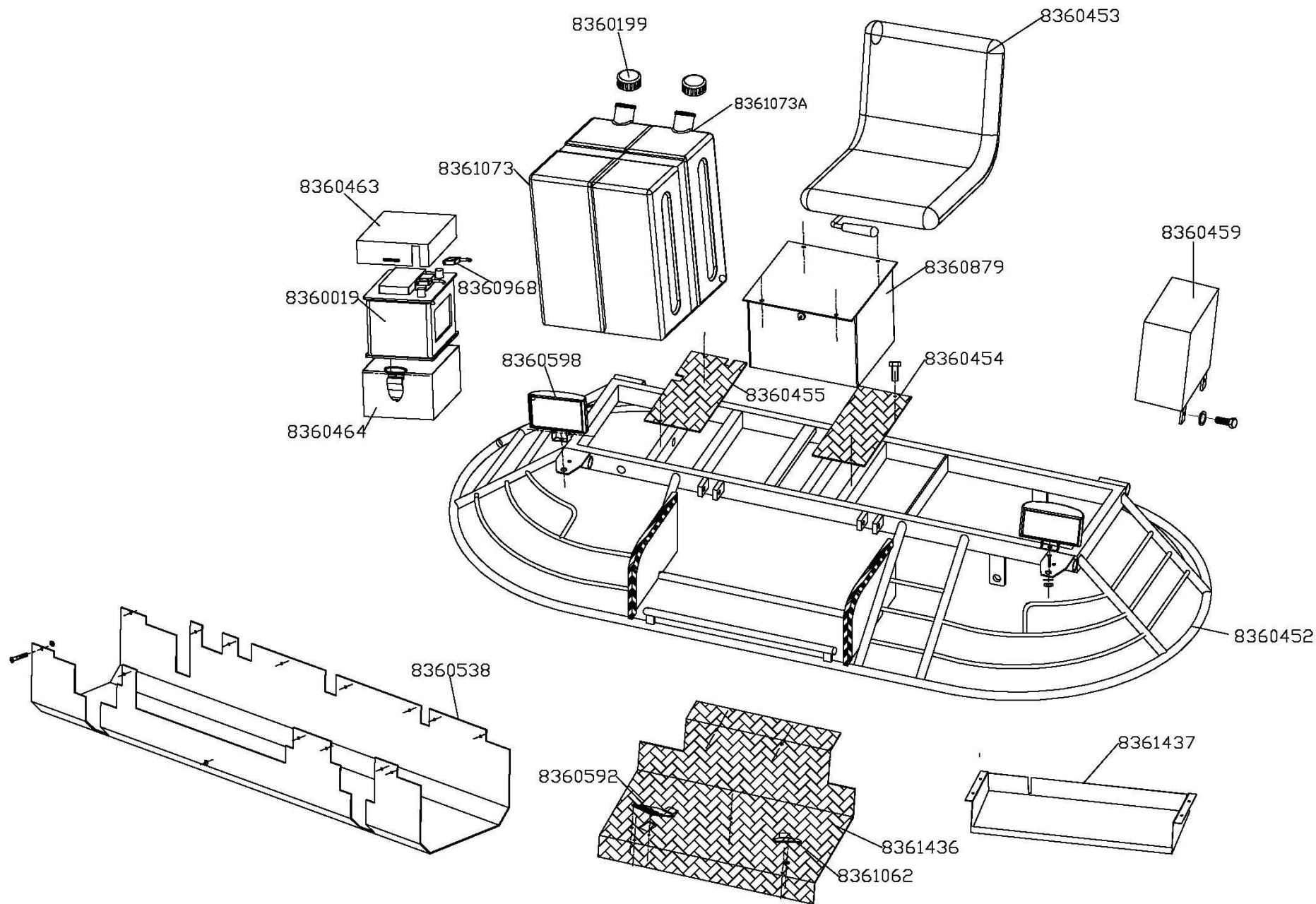


MASALTA®



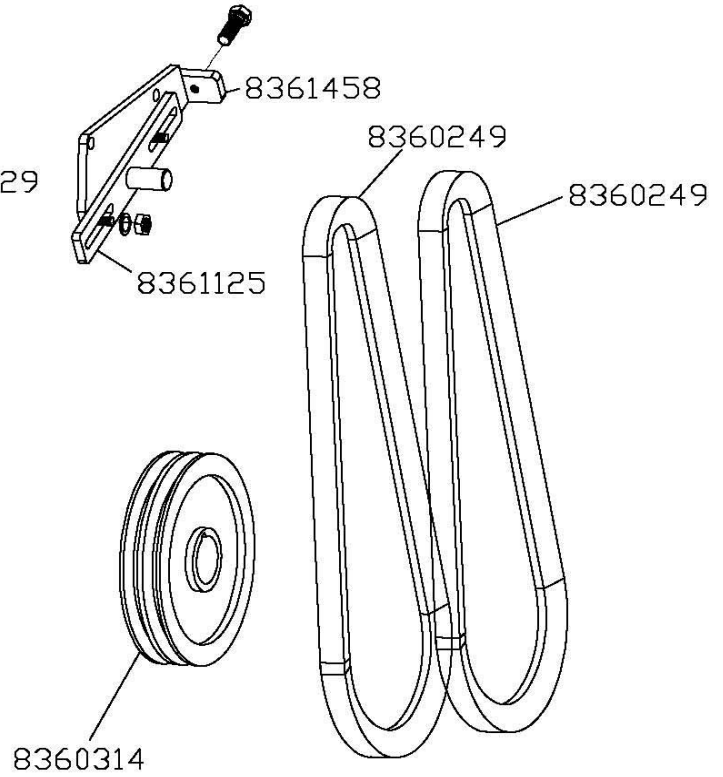
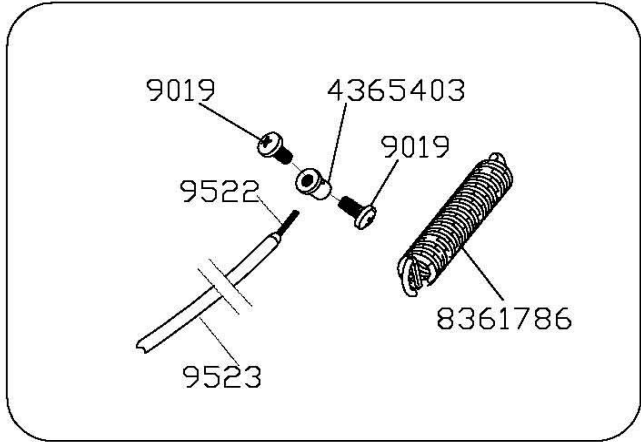
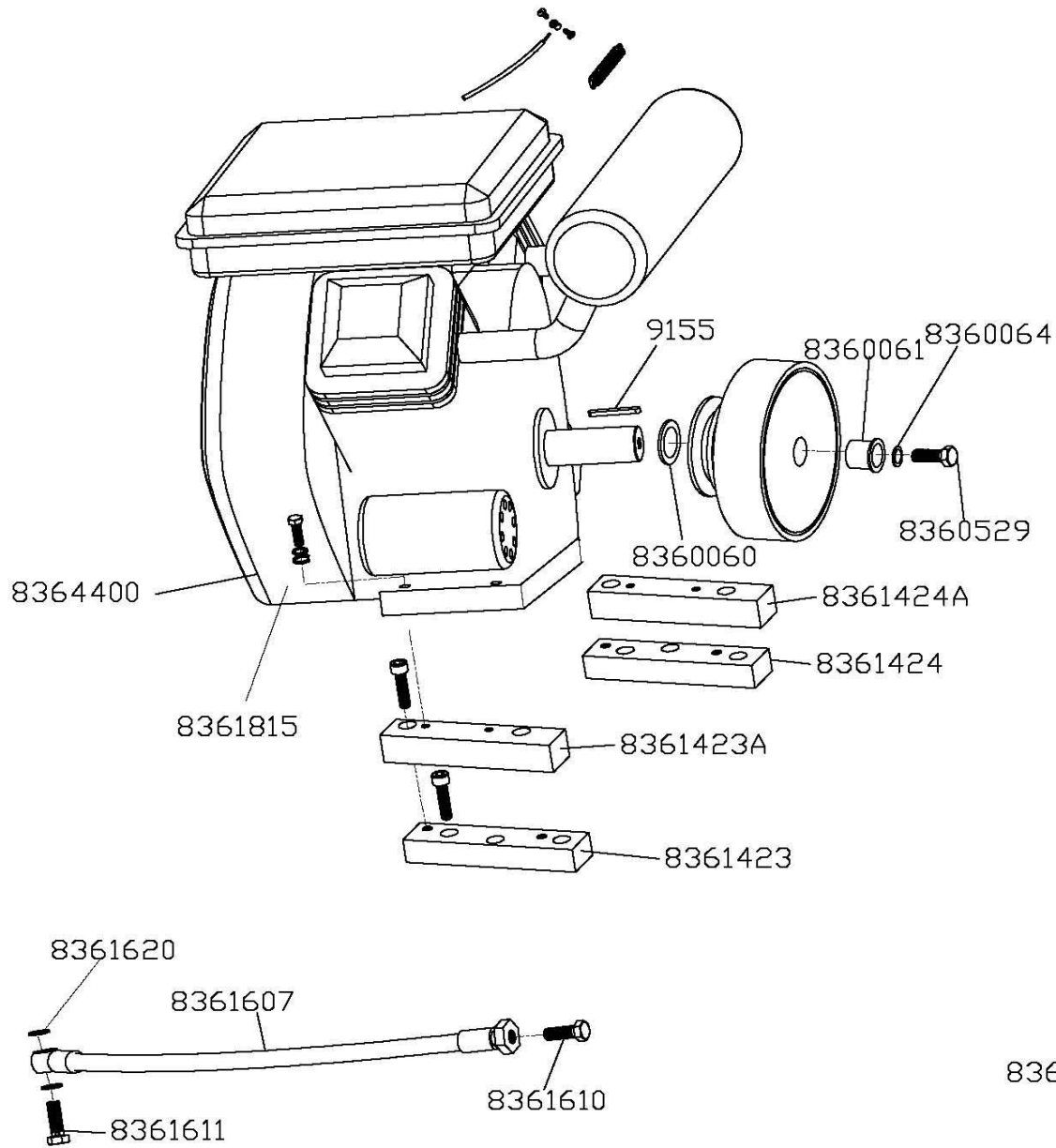
**PARTS MANUAL
RIDE-ON POWER TROWEL
MRT73 MRT73P**





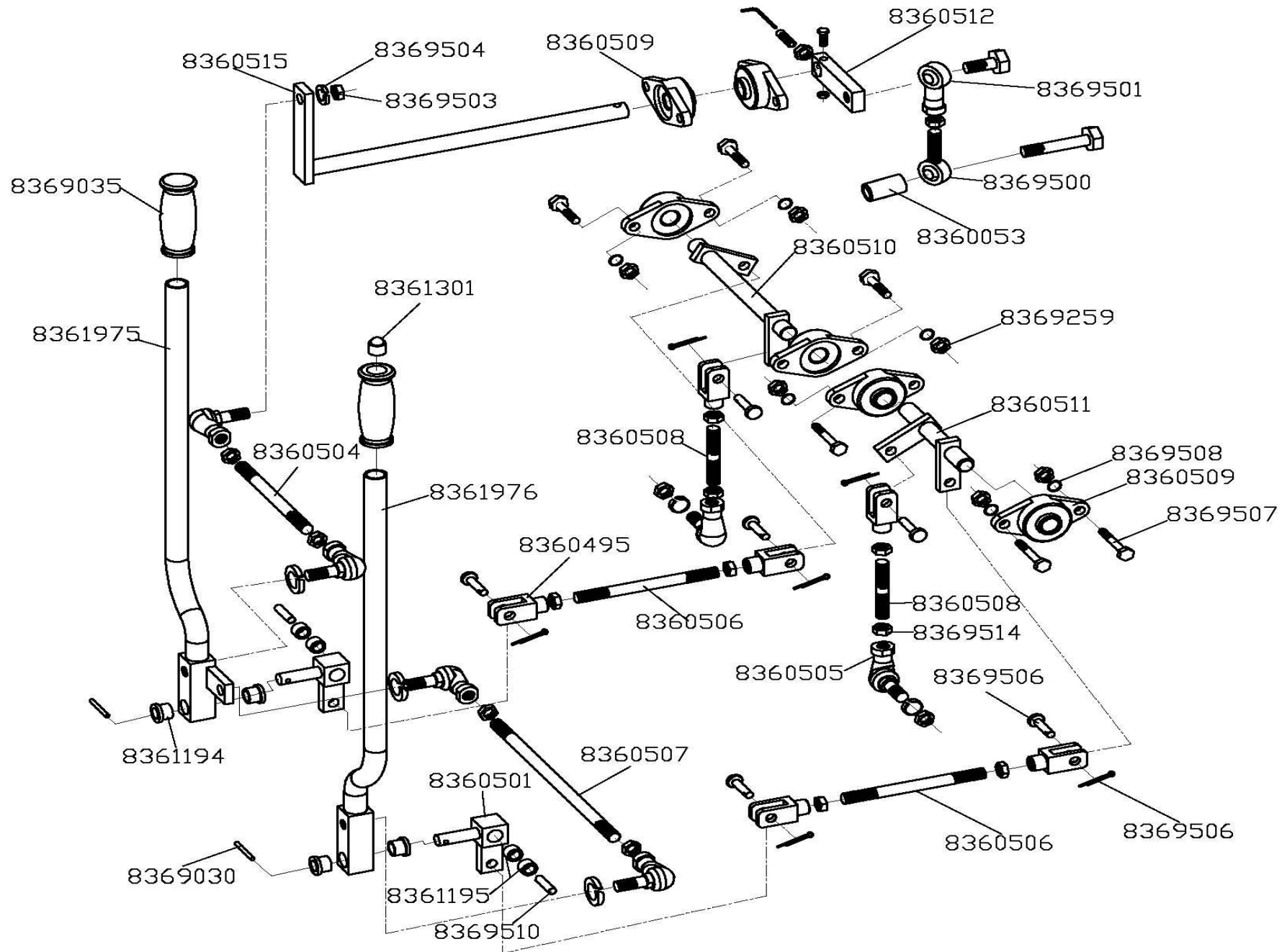
FRAMEWORK

PART NO.		DESCRIPTION	QTY
MRT73	MRT73P		
8360452	8360452I	GUARD RING	1
8361436		FOOT BOARD	1
8361437	8361437I	COVER BOARD, THROTTLE	1
8360538	8360538I	COVER BOARD, BOTTOM	1
8360454	8360454I	COVER BOARD	1
8360455		COVER BOARD	1
8360879		TOOL BOX	1
8360453	8360453I	CHAIR	1
8360459		COVER CLUTCH	1
8361073		WATER TANK	1
8361073A		PETROL TANK	1
8360199		CAP	2
8360464		BATTERY BOX	1
8360019		BATTERY	1
8360463		BATTERY COVER	1
8360968		CONNECTOR, BATTERY	1
8360592		THROTTLE CONTROL	1
8361062		SAFTY SWITCH	1



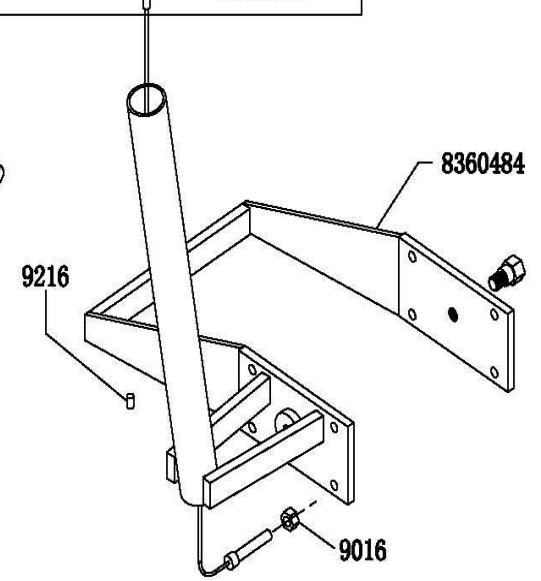
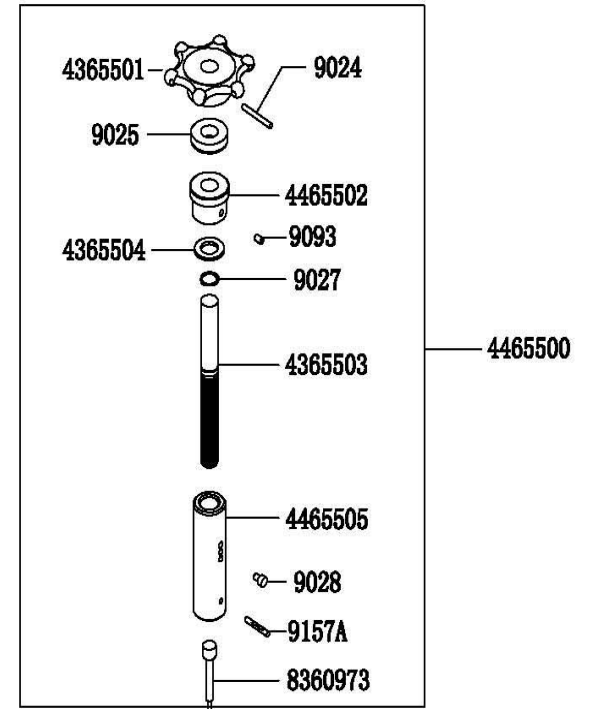
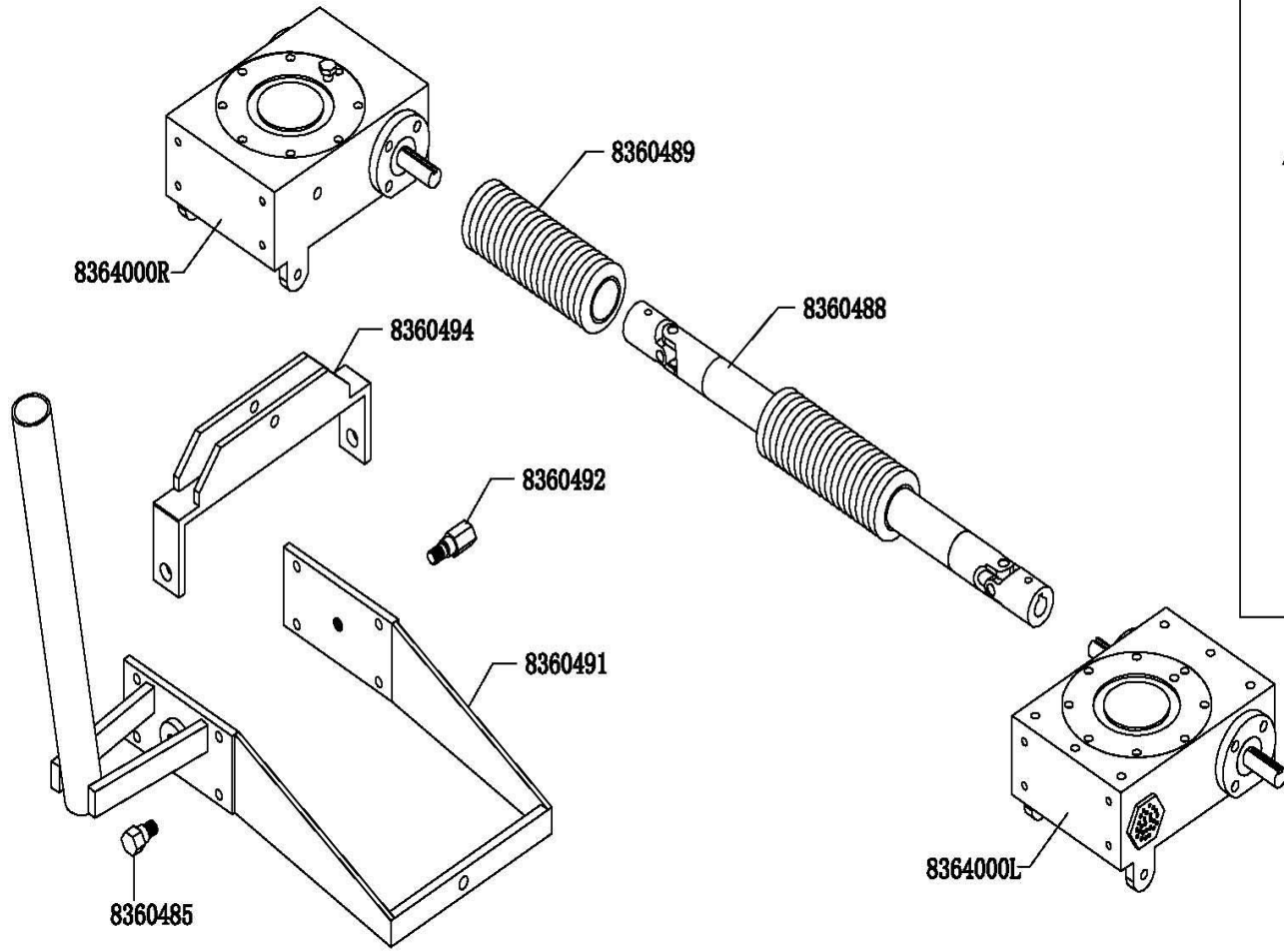
POWER SYSTEM

PART NO.		DESCRIPTION	QTY
MRT73	MRT73P		
8364400		HONDA GX670	1
8361423		ENGINE MOUNTING BAR	1
8361423A		ENGINE MOUNTING BAR	1
8361424		ENGINE MOUNTING BAR	1
8361424A		ENGINE MOUNTING BAR	1
8361786		ADDITIONAL ENGINE PARTS	1
4365403			
9019x2			
9522			
9523			
8361815			
8360060		WASHER	1
8360061		BUSHING	1
8360064		WASHER	1
8360529		BOLT	1
9155		KEY	1
8361607		OIL PIPE	1
8361620		WASHER	2
8361611		BOLT	1
8361610		BOLT	1
8360314		PULLEY	1
8361458		MOUNGTING PLATE, PULLEY	1
8361125		ADJUST PLATE, PULLEY	1
8360249		BELT	2



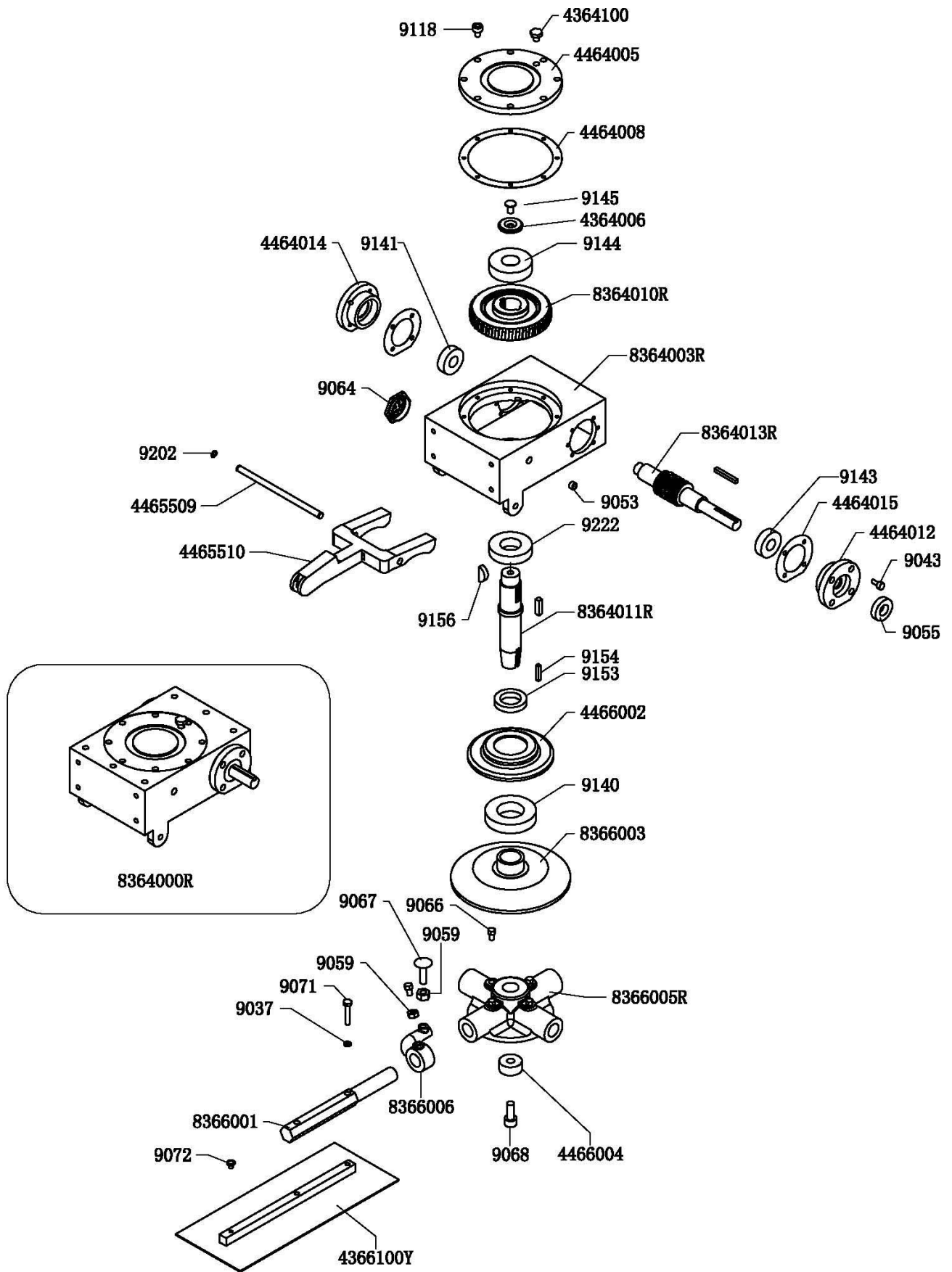
DRIVING SYSTEM

PART NO.		DESCRIPTION	QTY
MRT73	MRT73P		
8361975		DRIVE LEVER, RIGHT	1
8361976		DRIVE LEVER, LEFT	1
8360501		T-CONNECTOR	2
8361194		BUSHING	4
8361195		BUSHING	4
9030		LOCK PIN	2
9502B		OIL CAP	2
9502C		OIL CAP	2
8369035		PLASTIC HANDLE	2
8361301		BUTTON, WATER SPRAY SYSTEM	1
8360504	8360504I	CONNECT SHAFT	1
8360505		CONNECT BEARING	6
8360506		CONNECT SHAFT	2
8360495		U-CONNECTOR	6
8360507	8360507I	CONNECT SHAFT	2
8360508		CONNECT SHAFT	2
8360515		OSCILLATING SHAFT	1
8360509		BRACKET BEARING	6
8360512		TUMBLE BOARD	1
8360510	8360510I	TRANSMISSION SHAFT	1
8360511	8360511I	TRANSMISSION SHAFT	1
PHS14 (9501)		BEARING	1
POS14 (9500)		BEARING	1
8360053		BUSHING	1



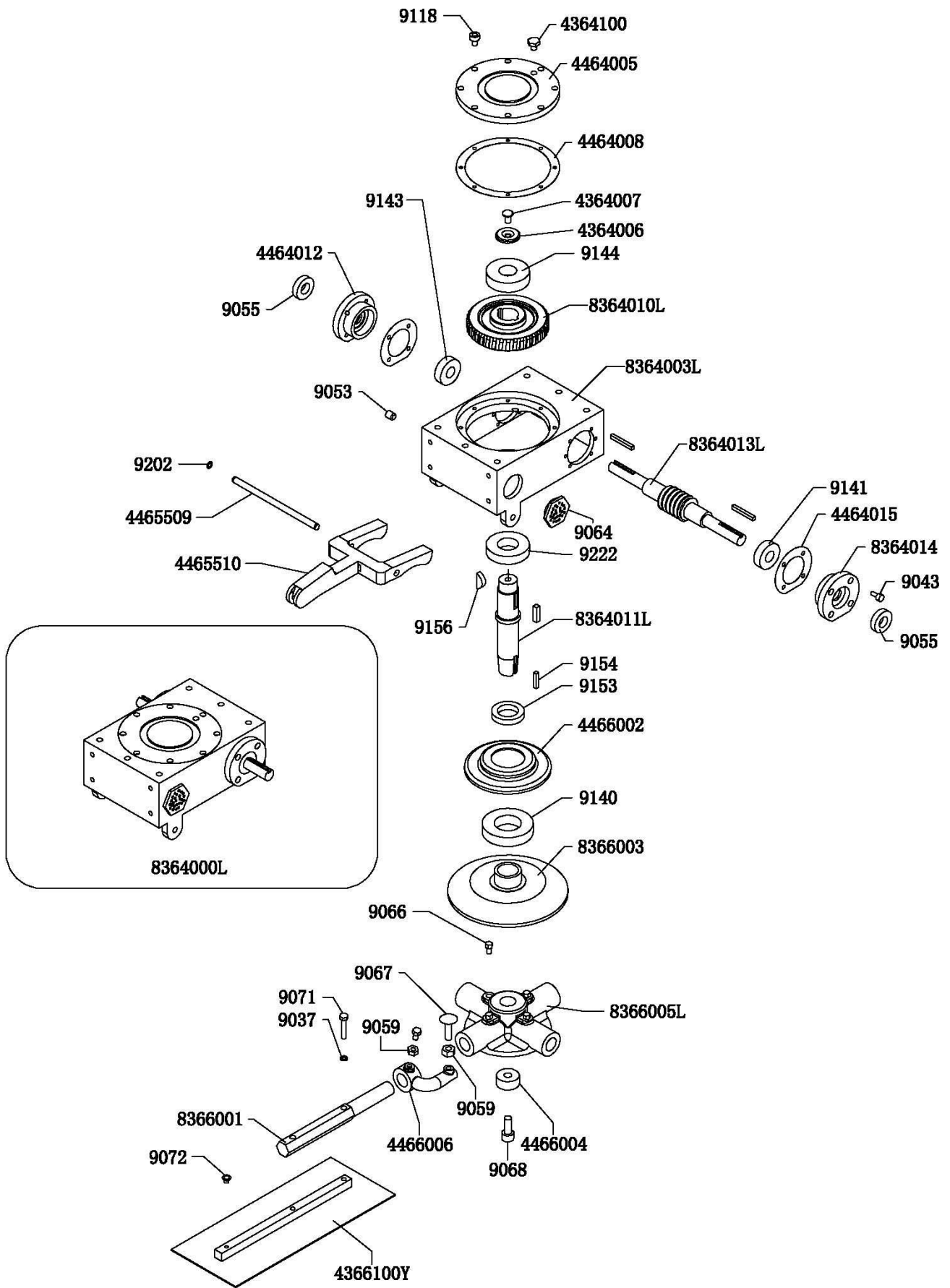
STEERING SYSTEM

PART NO.		DESCRIPTION	QTY
MRT73	MRT73P		
8360488	8360488I	JOINT SHAFT	1
8360489		RUBBER COVER	2
8364000R		GEARBOX, RIGHT	1
8364000L		GEARBOX, LEFT	1
8360491	8360491I	BRACKET, RIGHT	1
8360494		BRACKET	2
8360485		BOLT	1
8360492		BOLT	1
8360484	8360484I	BRACKET, LEFT	1
9216		SCREW	1
4465500		BLADE ADJUSTMENT SYSTEM	2
470		QUICK PITCH	2
9025		BEARING	2
9024		LOCK PIN	2
4465502		BUSHING	2
4365504		WASHER	2
9026		SCREW	2
9027		WASHER	2
4365503		ADJUST SHAFT	2
4465505		ADJUST SHAFT BUSHING	2
9028		SCREW	2
9157A		PIN	2
973		WIRE	2



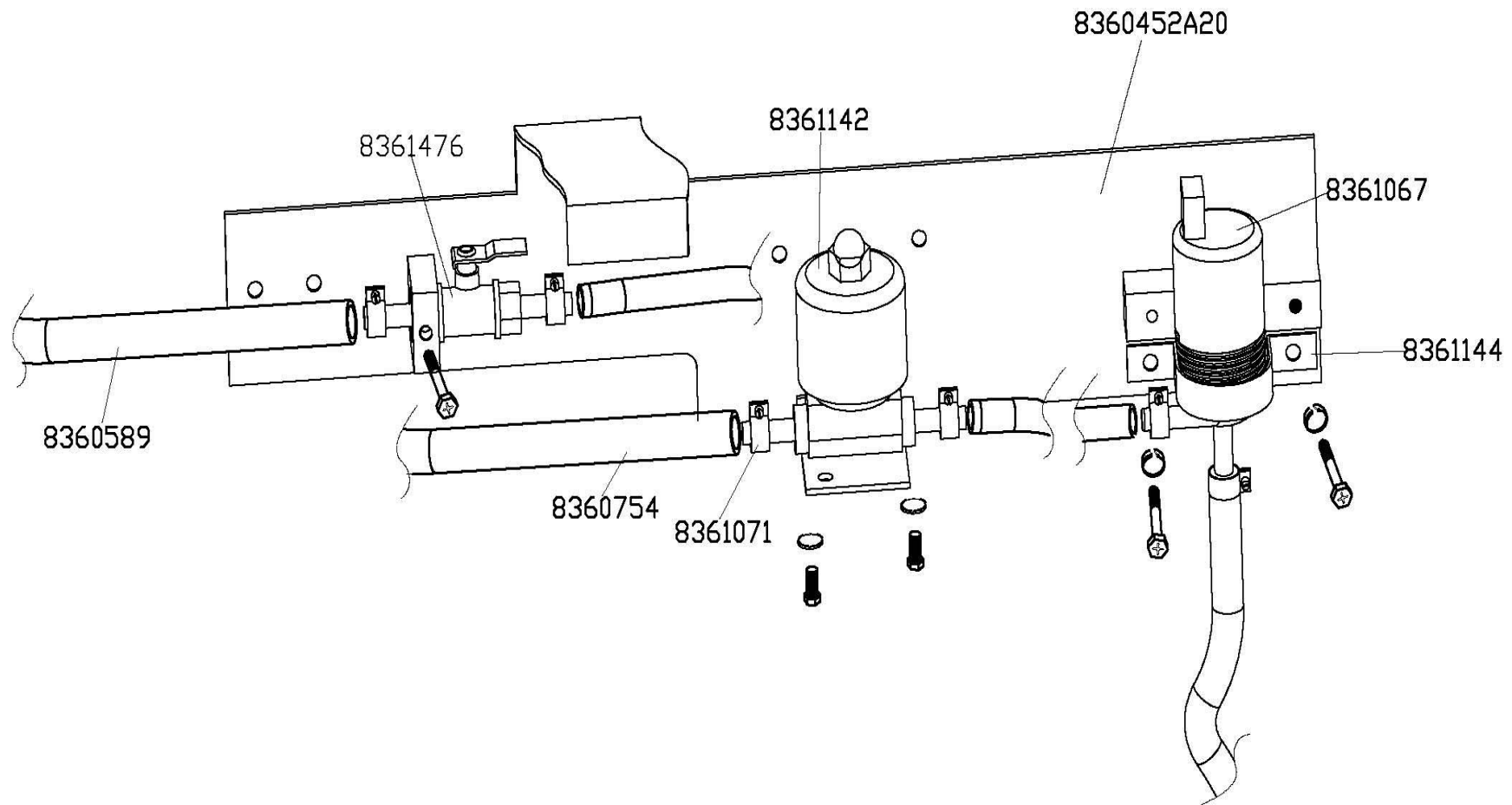
GEARBOX ASSY (R)

PART NO.		DESCRIPTION	QTY
MRT73	MRT73P		
8364003R		GEARBOX CASING	1
4464005		GEARBOX COVER	1
8364010R		BROZE GEAR	1
8364013R		COUNTER SHAFT	1
8354011R		MAIN SHAFT	1
4464008		SHIMMING	1
4364006		PRESSURE WASHER	1
4464015		SHIMMING	2
4464012		RIGHT BEARING FLANGE	1
4464014		RINGHT BEARING FLANGE	1
4364100		RELEASE VALVE	1
9118		SCREW	8
9145		SCREW	1
9144		BEARING	1
9141		BEARING	1
9143		BEARING	1
9043		SCREW	8
9055		SEAL	2
9064		GLASS EYE	1
9053		PLUG	1
9156		KEY	1
4465510		YOKE ARM	1
4465509		SHAFT, YOKE ARM	1
9202		RETAINER RING	1
4466002		PRESSURE PLATE COVER	1
8366003		PRESSURE PLATE	1
8366005R		RIGHT SPIDER PLATE	1
8366006		LIFT LEVER	4
4466004		BUSHING	1
8366001		TROWEL ARM	4
9059		NUT	8
9066		SCREW	8
9067		BOLT	4
9068		BOLT	1
9140		BEARING	1
9153		SEAL	1
9154		KEY	1
9222		BEARING	1



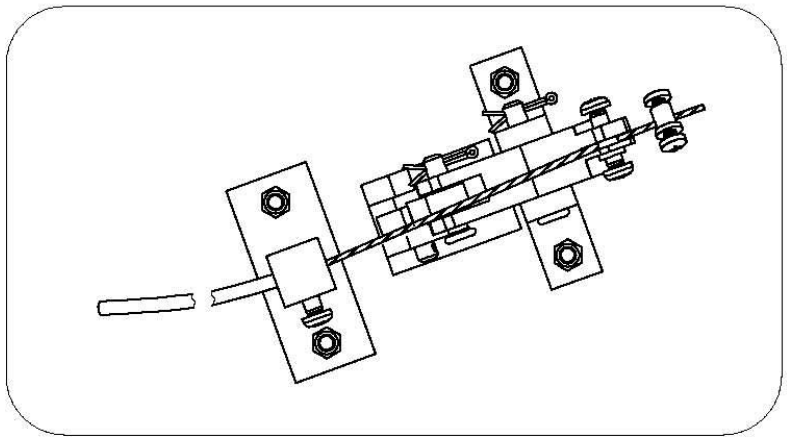
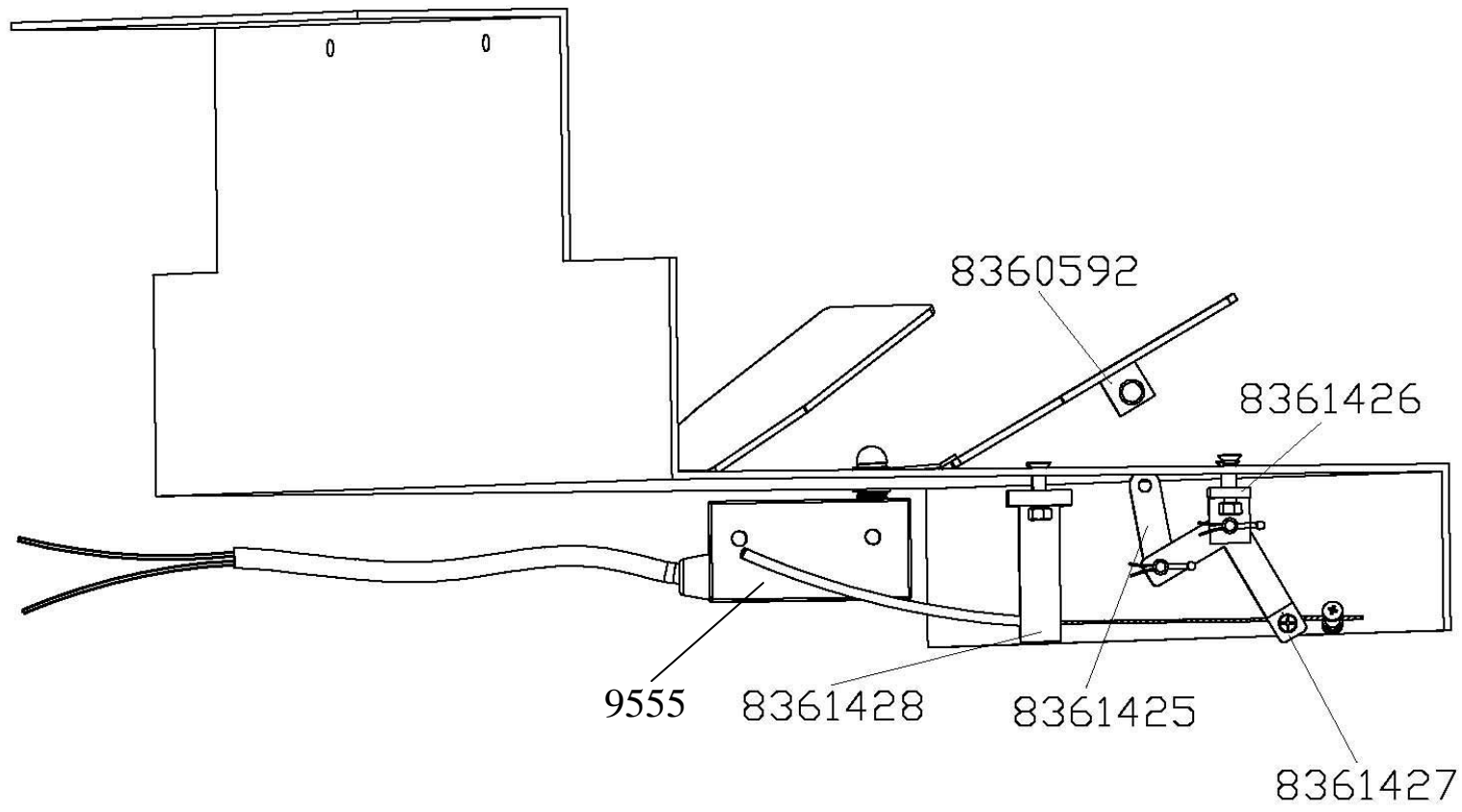
GEARBOX ASSY (L)

PART NO.		DESCRIPTION	QTY
MRT73	MRT73P		
8364003L		GEARBOX CASING	1
4464005		GEARBOX COVER	1
8364010L		BROZE GEAR	1
8364013L		COUNTER SHAFT	1
8354011L		MAIN SHAFT	1
4464008		SHIMMING	1
4364006		PRESSURE WASHER	1
4464015		SHIMMING	2
4464012		LEFT BEARING FLANGE	1
8364014		RINGHT BEARING FLANGE	1
4364100		RELEASE VALVE	1
9118		SCREW	8
4364007		SCREW	1
9144		BEARING	1
9141		BEARING	1
9143		BEARING	1
9043		SCREW	8
9055		SEAL	2
9064		GLASS EYE	1
9053		PLUG	1
9156		KEY	1
4465510		YOKE ARM	1
4465509		SHAFT, YOKE ARM	1
9202		RETAINER RING	1
4466002		PRESSURE PLATE COVER	1
8366003		PRESSURE PLATE	1
8366005L		LEFT SPIDER PLATE	1
4466004		BUSHING	1
4466006		LIFT LEVER	4
8366001		TROWEL ARM	4
9059		NUT	8
9066		SCREW	8
9067		BOLT	4
9068		BOLT	1
9140		BEARING	1
9153		SEAL	1
9154		KEY	1
9222		BEARING	1



WATER SPRAY SYSTEM

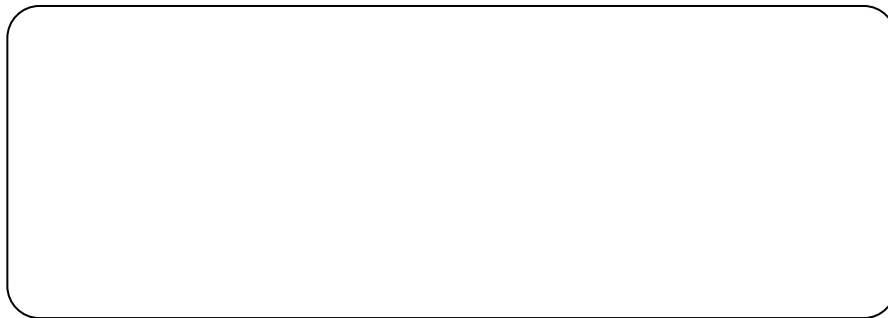
PART NO.		DESCRIPTION	QTY
MRT73	MRT73P		
8360589		OIL PIPE	2
8361476		VALVE	1
8360754		WATER PIPE	2
8361071		JOINT	6
8361142		SOLENOID PILOT ACTUATED VALVE	1
8361067		WATER PUMP	1
8361144		MOUNTING PLATE, WATER PUMP	1



PART NO.		DESCRIPTION	QTY
MRT73	MRT73P		
FOOT THROTTLE KIT			
8360592		FOOT THROTTLE PARTS	1
8361425			1
8361426			1
8361427			1
8361428			1
SAFETY SWITCH KIT			
8361062		SAFETY SWITCH PEDAL	1
9555		SAFETY SWITCH	1



Distributed By



MASALTA ENGINEERING CO., LTD

Add: 20 Dalian Road, Baohe Industrial Estate, Hefei, China

Tel: 86-551-64846600, 64846601 Fax: 86-551-64846616

E-mail: sales@masalta.com.cn, masalta@mail.hf.ah.cn

[Http://www.masalta.com.cn](http://www.masalta.com.cn)