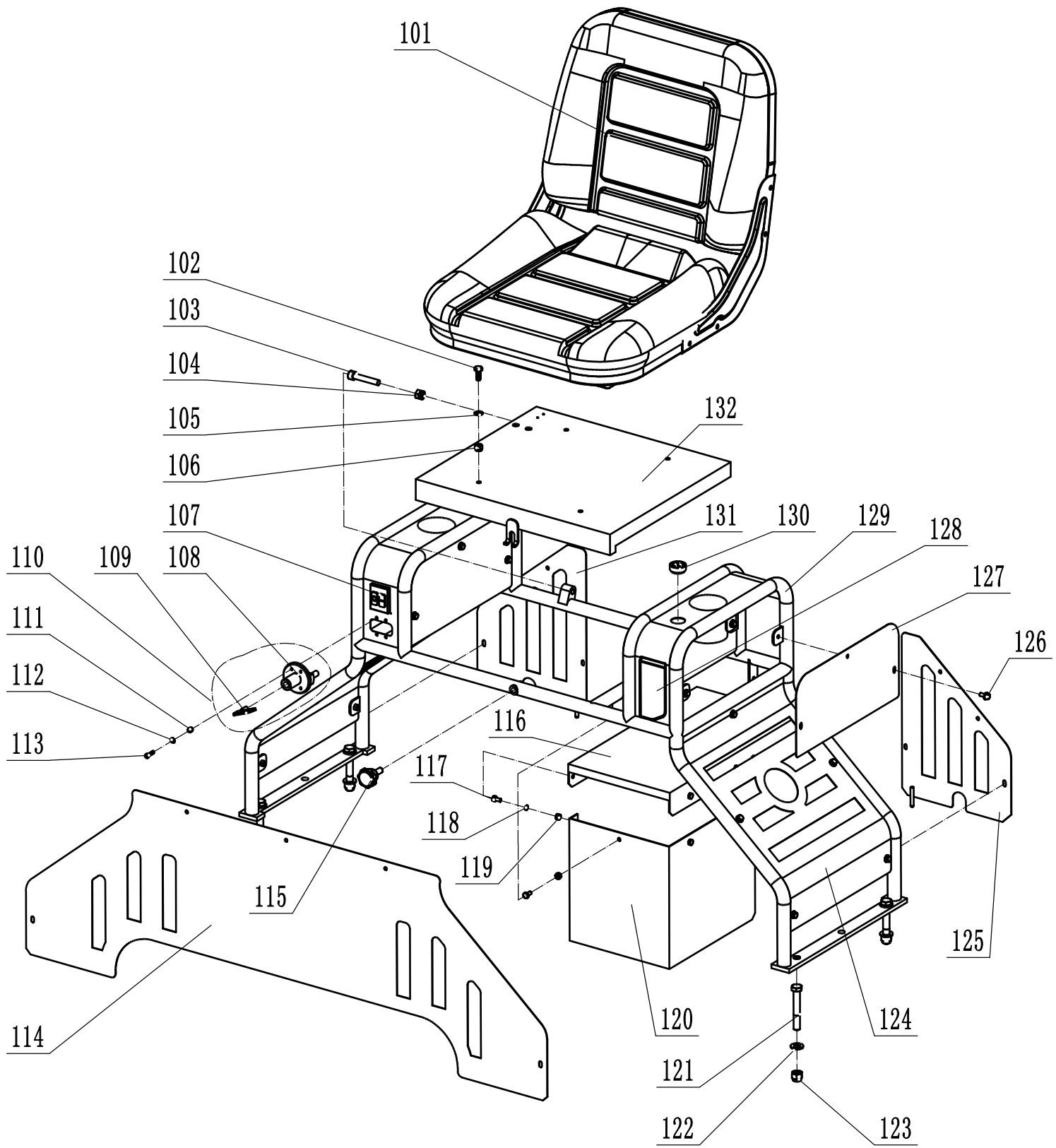




**PARTS MANUAL  
RIDE-ON POWER TROWEL  
MRT364**





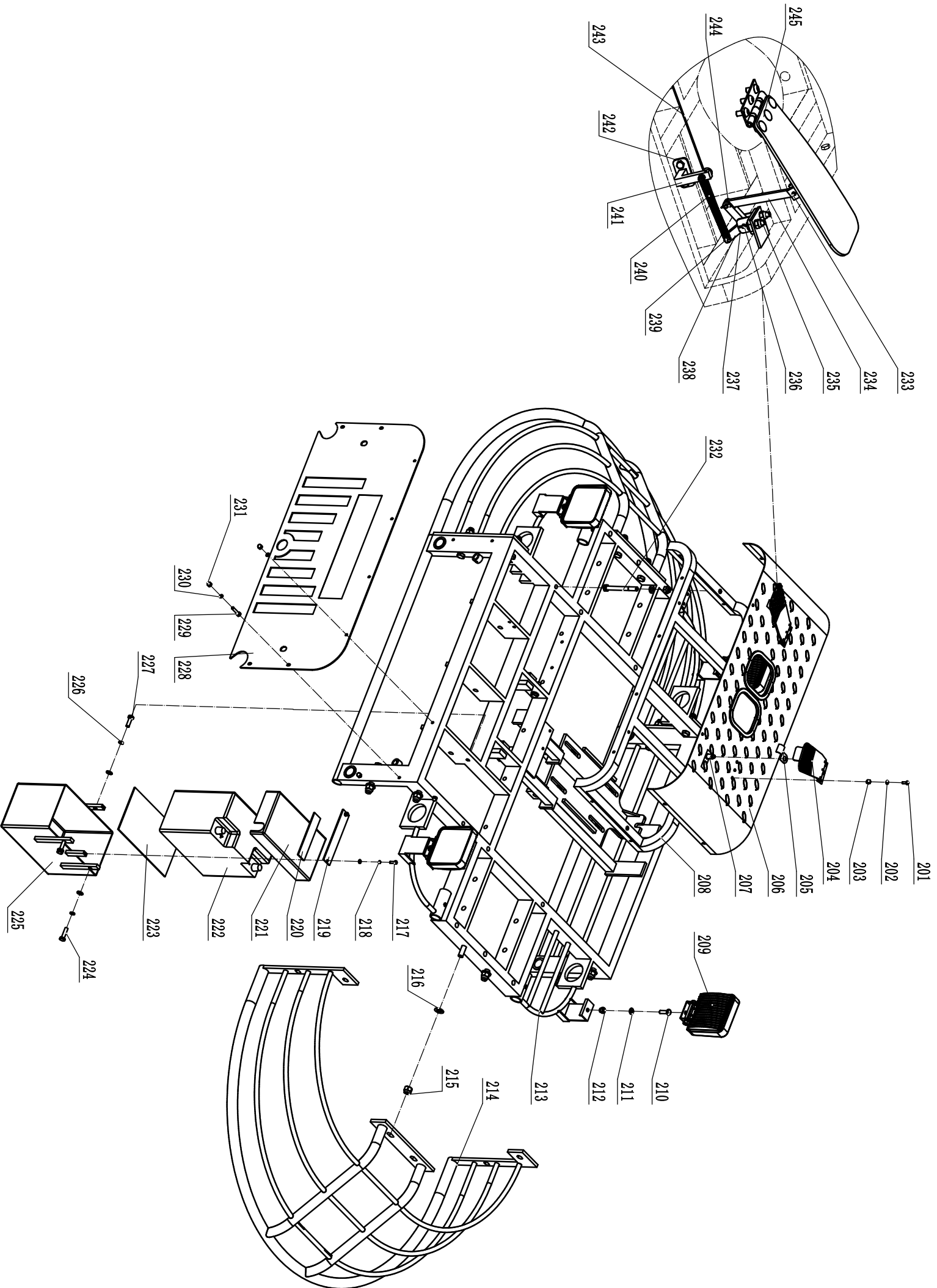
# PARTS LIST 1

## MRT364 SERIES

### UPPER FRAME

MRT364-BOM01-A

ITEM NO.	PART NO.	DESCRIPTION	ERP NO.	QTY	REMARK
101	WX29	SEAT	41499008	1	
102	GB5783-M8x20	HEXAGON BOLT M8X20	20102101	4	
103	GB70.1-M10x55	SOKET HEAD CAP SCREW M10X55	20306173	2	
104	GB889.1-M10	HEXAGON LOCK NUT M10	20405006	2	
105	GB97.1-8	FLAT GASKET Φ8	20501007	4	
106	GB889.1-M8	HEXAGON LOCK NUT M8	20405004	4	
107	MRT364.DQ.01	COMBINATION SWITCH	41403085	2	
108	FH105-2	BATTERY SWITCH DBODY	49904021	1	
109	FH105-1	BATTERY SWITCH KEY	49904020	1	
110	FH105	SWITCH BATTERY	41408025	1	
111	GB818-M5x20	CROSS RECESSED CHEESE HEAD SCREWS M5X20	20301009	4	
112	GB97.1-5	FLAT GASKET Φ5	20501021	4	
113	GB889.1-M5	NUT M5	20405021	4	
114	MRT364.01.07-MAS	COVER-MAS	40206124	1	
	MRT364.01.07-ZX	COVER-ZX	40203389	1	
115	JB3717.22-M10x20	M10 KNOB	21305008	1	
116	MRT364.08.01	THERMAL BAFFLE	40207278	1	
117	GB5783-M6x20	HEXAGON BOLT M6X20	20102054	6	
118	GB97.1-6	FLAT GASKET Φ6	20501005	6	
119	GB889.1-M6	NUT M6	20405002	6	
120	MRT364.08.02	INSULATION HANGER	40207279	1	
121	GB5782-M12x80	HEXAGON BOLT M12X80	20101110	4	
122	GB97.1-12	FLAT GASKET Φ12	20501010	4	
123	GB889.1-M12	HEXAGON LOCK NUT M12	20405007	4	
124	MRT364.01.05	SIDE COVER	40206122	2	
125	MRT364.01.12	LEFT COVER	40206133	1	
126	GB5787-M6x12	HEXAGON FLANGE BOLT M6X12	21199061	33	
127	MRT364.01.06	TOP-SIDE COVER	40206123	4	
128	MRT364.DQ.02	CONTROL PANEL ASSEMBLY	41403086	1	
129	MRT364.01.03	UPPER FRAME	54601035	1	
130	MRT364.DQ.03	BUZZER	41408070	1	
131	MRT364.01.08	RIGHT COVER	40206125	1	
132	MRT364.09.01	SEAT SUSPENSION	40203322	1	



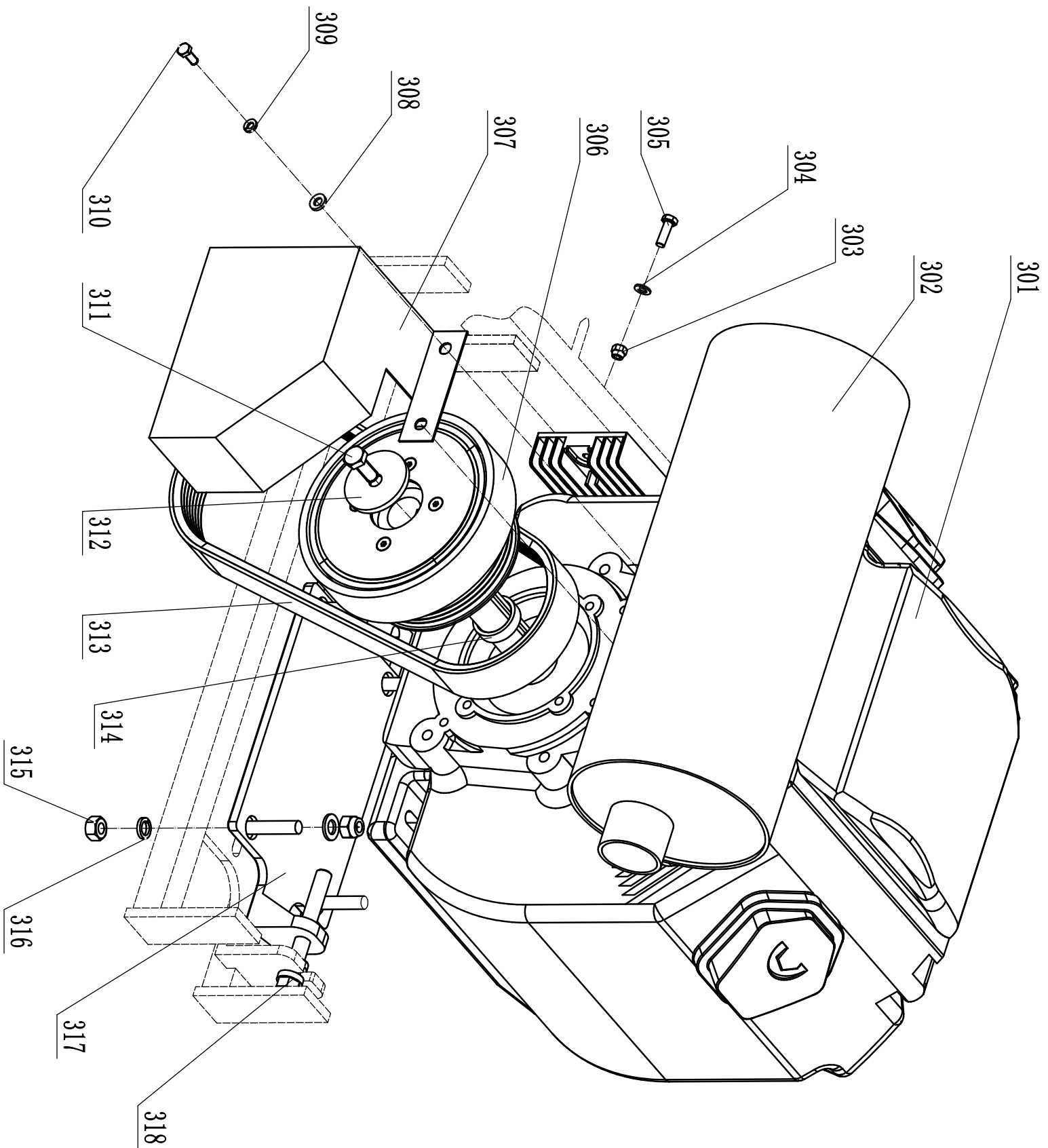
**PARTS LIST 2**  
**MRT364 SERIES****HOST FRAME**

MRT364-BOM02-A

ITEM NO.	PART NO.	DESCRIPTION	ERP NO.	QTY	REMARK
201	GB818-M5x20	CROSS RECESSED CHEESE HEAD SCREWS M5X20	20301052	6	
202	GB97. 1-5	FLAT GASKET $\Phi$ 5	20501003	8	
203	GB889. 1-M5	NUT M5	20405001	6	
204	MRT364. 07. 10	LEFT PEDAL ASSY	54601055	1	
205	MRT364. 07. 11	RESET BLADE SPRING	40103054	1	
206	MRT364. 01. 09	PEDAL	40206126	1	
207	RA7310	MICROS SWITCH	41403084	1	
208	MRT364. 01. 04	PEDAL BRACKET	54601036	1	
209	WM-W15CBEP-2	LIGHT	41408069	4	
210	GB5783-M8x20	BLOT	20102101	4	
211	GB97. 1-8	FLAT GASKET $\Phi$ 8	20501007	9	
212	GB889. 1-M8	LOCK NUT	20405004	6	
213	MRT364. 01. 01	FRAME	54601030	1	
214	MRT364. 01. 02	SIDE PROTECTION FRAME	54601034	2	
215	GB889. 1-M12	HEXAGON LOCK NUT M12	20405007	12	
216	GB97. 1-12	FLAT GASKET $\Phi$ 12	20501010	12	
217	GB5783-M5x40	HEXAGON BOLT M5X40	20102008	2	
218	GB93-5	SPRING WASHER	20509002	2	
219	MRT364. 10. 03	BATTERY PRESSING PLATE	41203046	1	
220	MRT364. 10. 04	BATTERY PRESSING PLATE PAD	41203047	1	
221	MRT364. 10. 05	BATTERY COVER	41203048	1	
222	(12V, 45Ah)6-QW-45	BATTERY	41408001	1	
223	MRT364. 10. 02	BATTERY PAD	41203045	1	
224	GB5783-M8x40	HEXAGON BOLT M8X40	20102107	2	
225	MRT364. 10. 01	BATTERY BRACKET	40802028	1	
226	GB93-8	SPRING GASKET	20509006	3	
227	GB5783-M8x25	HEXAGON BOLT M8X25	20102102	1	
228	MRT364. 01. 10	FRONT COVER	40206127	1	
229	GB5787-M6x35	HEXAGON FLANGE BOLT M6X35	21199061	10	
230	GB97. 1-6	FLAT GASKET $\Phi$ 6	20501005	18	
231	GB889. 1-M6	LOCKNUT M6	20405002	16	
232	GB5782-M8x100	HEXAGON BOLT M8X100	20101023	2	
233	MRT364. 07. 02	SHORT PIN	40402079	2	
234	MRT364. 07. 03	LINK BLOCK	40407011	1	
235	GB5783-M6x20	HEXAGON BOLT M6X20	20102054	4	

## MRT364-BOM02-A

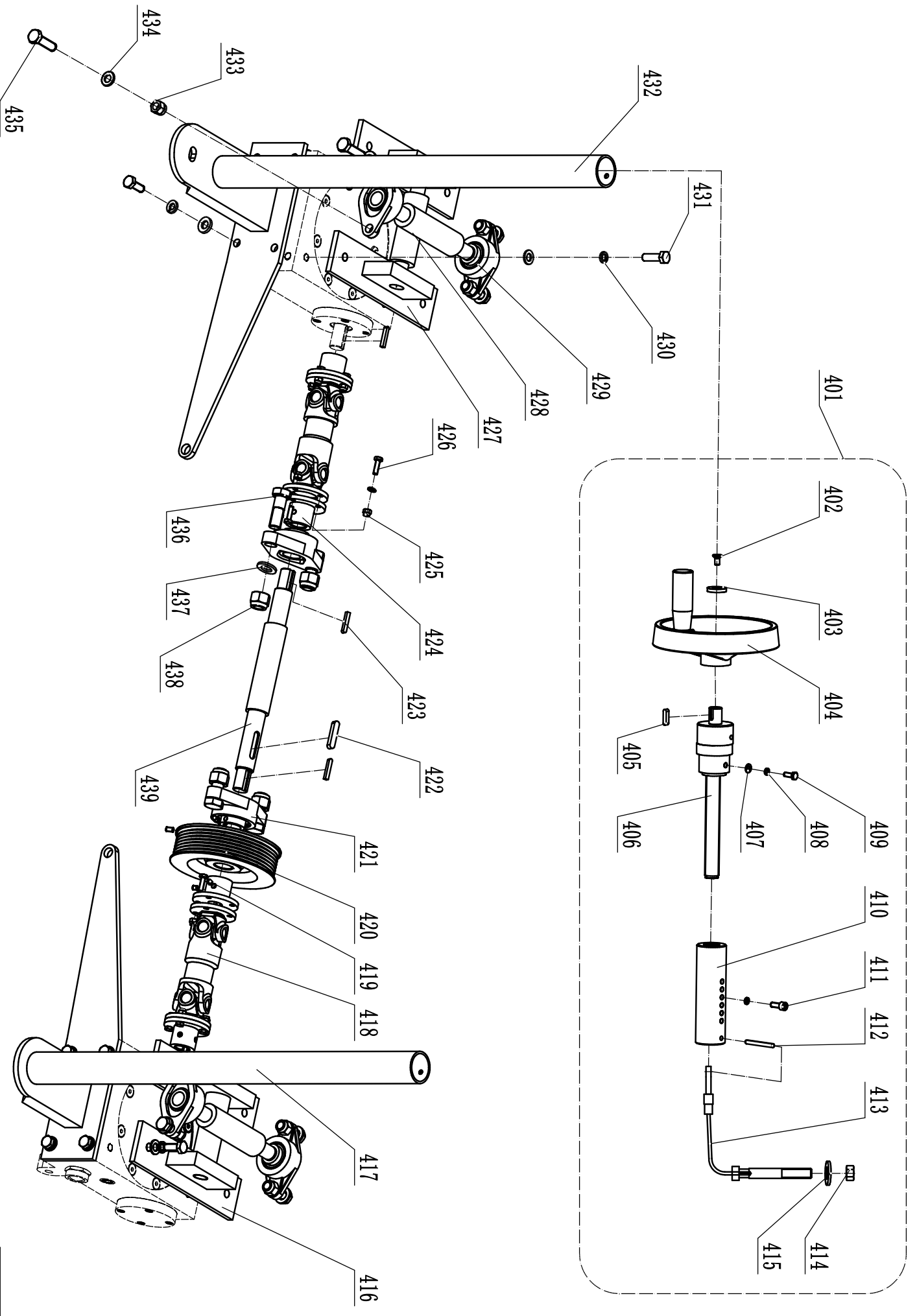
ITEM NO.	PART NO.	DESCRIPTION	ERP NO.	QTY	REMARK
236	MRT364.07.05	LONG PIN AXLE	40402080	1	
237	MRT364.07.04	HANGING BOARD	40301095	1	
238	MRT364.07.06	FOLD CHORD	40408004	1	
239	GB5789-M5x12	HEXAGON FLANGE BOLT M5X12	20110028	2	
240	MRT364.07.08	TENSION SPRING	40103053	1	
241	MRT364.07.07	TENSION SPRING FRAME	40408011	1	
242	GB93-6	SPRING WASHER $\Phi$ 6	20509004	2	
243	MRT364.00.02	THROTTLE CABLE	41403083	1	
244	GB91-2x8	COTTER D2X8	20805008	3	
245	MRT364.07.09	RIGHT PEDAL ASSEMBLY	54601054	1	



**PARTS LIST 3  
MRT364 SERIES****ENGINE****MRT364-BOM03-A**

ITEM NO	PART NO.	DESCRIPTION	ERP NO.	QTY	REMARK
301	GX690H-TAFH	HONDA GX690H-TAFHENGINE	41401019	1	
302	GX690-XYQ	MUFFLER	41499014	1	
305	GB5782-M6x45	HEXAGON BOLT M6X45	20101008	2	
303	GB889.1-M6	LOCK NUT M6	20405002	2	
304	GB97.1-6	FLAT GASKET GB97.1-6	20501005	2	
306	MRT364.02.01	CLUTCH	54601038	1	
307	MRT364.02.09	BELT COVER	40206129	1	
308	GB97.1-8	FLAT GASKET GB97.1-8	20501007	4	
309	GB93-8	SPRING WASHER GB93-8	20509006	4	
310	GB5783-M8x20	HEXAGON BOLT M8×20	20102101	4	
311	7/16-20x25	AMERICAN BOLT 7/16-20 UNF-2B (TAP)	20109029	1	
312	MRT364.02.03	CLUTCH PRESSING PAD	40201096	1	
313	PL375 L=953	POLY V-BELT	21201107	1	
314	MRT364.02.04	CLUTCH SLEEVE	40402078	1	
315	GB889.1-M10	HEXAGON LOCK NUT M10	20405006	8	
316	GB97.1-10	FLAT GASKET Φ10	20501009	8	
317	MRT364.02.05	ENGINE MOUNTING PLATE	40203288	1	
318	MRT364.02.11	BOLT	40203321	1	





# PARTS LIST 4 MRT364 SERIES

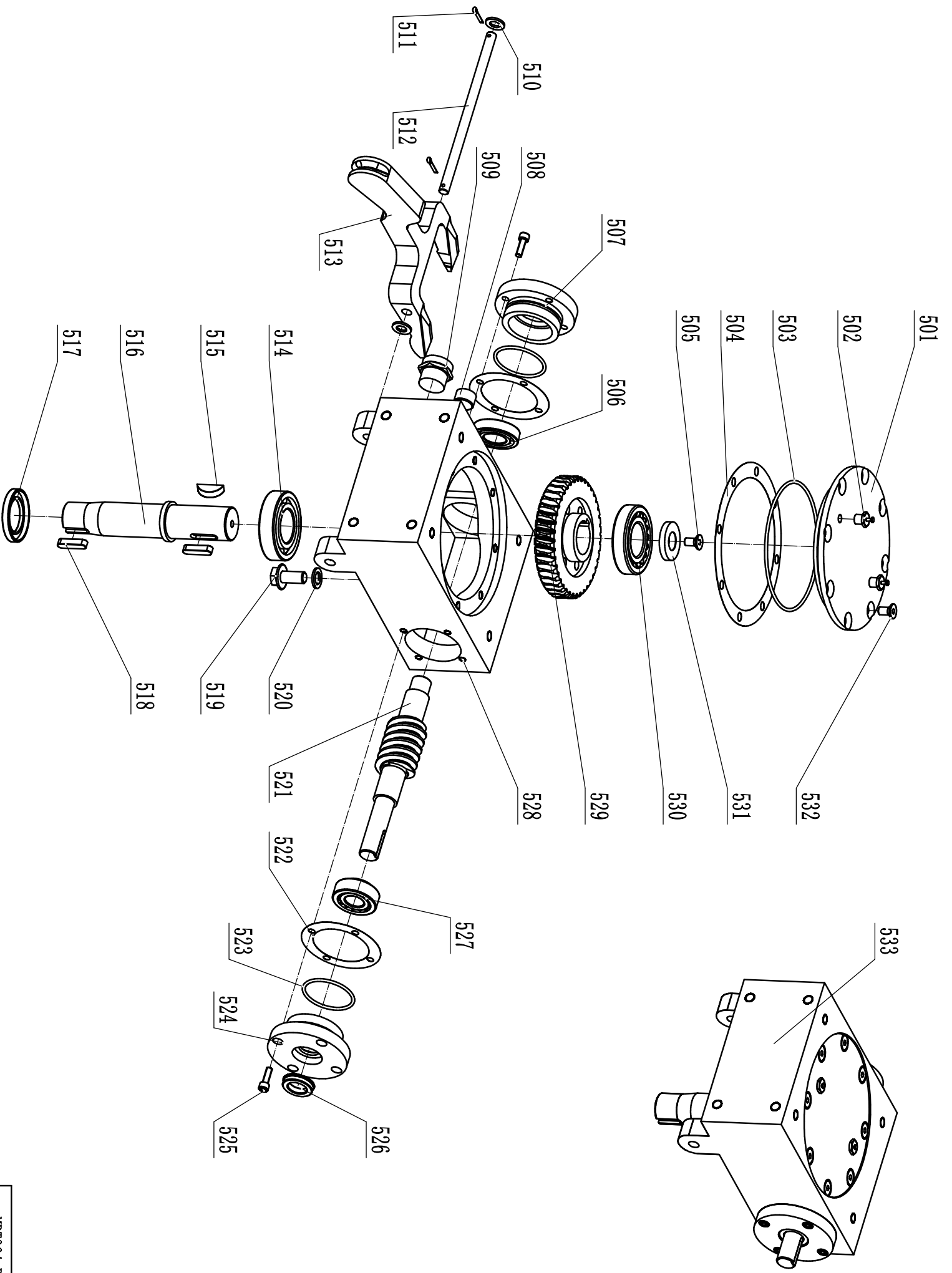
## TRANSMISSION

MRT364-BOM04-A

ITEM NO	PART NO.	DESCRIPTION	ERP NO.	QTY	REMARK
401	MRT364.04.01	ADJUSTING HANDLE ASSEMBLY	54601056	2	
402	GB70.3-M6x12	SCREW M6X12	20308050	2	
403	MRT364.04.01.01	PRESSURE MAD FOR HANDWHEEL	40201100	2	
404	JB3717.12	FOLDABLE HANDWHEEL	41405021	2	
405	GB1096-5x5x15	FLAT KEY 5X5X15	20901061	2	
406	MRT364.04-SLZJ	HANDWHEEL ASSY	54601164	2	
407	GB97.1-6	FLAT GASKET GB97.1-6	20501005	18	
408	GB93-6	SPRING WASHER GB93-6	20509004	4	
409	GB5783-M6x12	HEXAGON BOLT M6×12	20102051	2	
410	MT36.42.46-05-03-01	ADJUST BODY	40706007	2	
411	M6x8	HEXAGON SCREW	20306049	2	
412	GB879.1-6x35	PIN 6X35	20802059	2	
413	MRT364.04.01.03	STEEL WIREROPE	21399006	2	
414	GB889.1-M10	LOCK NUT M10	20405006	2	
415	GB97.1-10	FLAT GASKET GB97.1-10	20501009	10	
416	MRT364.04.07.01	CROSS SHAFT BOARD	40302092	1	
417	MRT364.04.06	CONTROL BRACKET FOR BLADE ANGLE AJUSTMENT	40201103	1	
418	SWC-I-65-A	CARDAN JOINT	40706012	2	
419	GB77-M8x12	BEARING GB7810-UCFLU205	20311056	10	
420	MRT364.02.07	BELT PULLEY	40607052	1	
421	GB7810-UCFLU205	BEARING GB7810-UCFLU205	21012014	2	
422	GB1096-8x40	HEXAGON BOLT M16X55	20901156	1	
423	GB1096-6x30	FLAT KEY GB1096-6X30	20901105	4	
424	MRT364.02.06	CARDAN JOINT CONNECTING FLANGE	40203320	4	
425	GB889.1-M6	LOCK NUT M6	20405002	16	
426	GB5783-M6x25	HEXAGON BOLT M6X25	20102055	16	
427	MRT364.04.03.02	HANGING BOARD	40301096	2	
428	MRT364.04.03.01	CROSS SHAFT	40302090	1	
429	GB7810-UCFLU204	BEARING GB7810-UCFLU204	21012015	4	
430	GB93-10	SPRING WASHER	20509008	8	
431	GB5783-M10x25	HEXAGON BOLT M10X25	20102152	8	
432	MRT364.04.02	ANGLE CONTROL BRACKET OF BLADE	40201102	1	
433	GB889.1-M12	LOCK NUT M12	20405007	8	
434	GB97.1-12	FLAT GASKET GB97.1-12	20501010	8	
435	GB5783-M12x40	HEXAGON BOLT M12X40	20102203	8	
436	GB5783-M16x55	HEXAGON BOLT M16X55	20102249	4	

## MRT364-BOM04-A

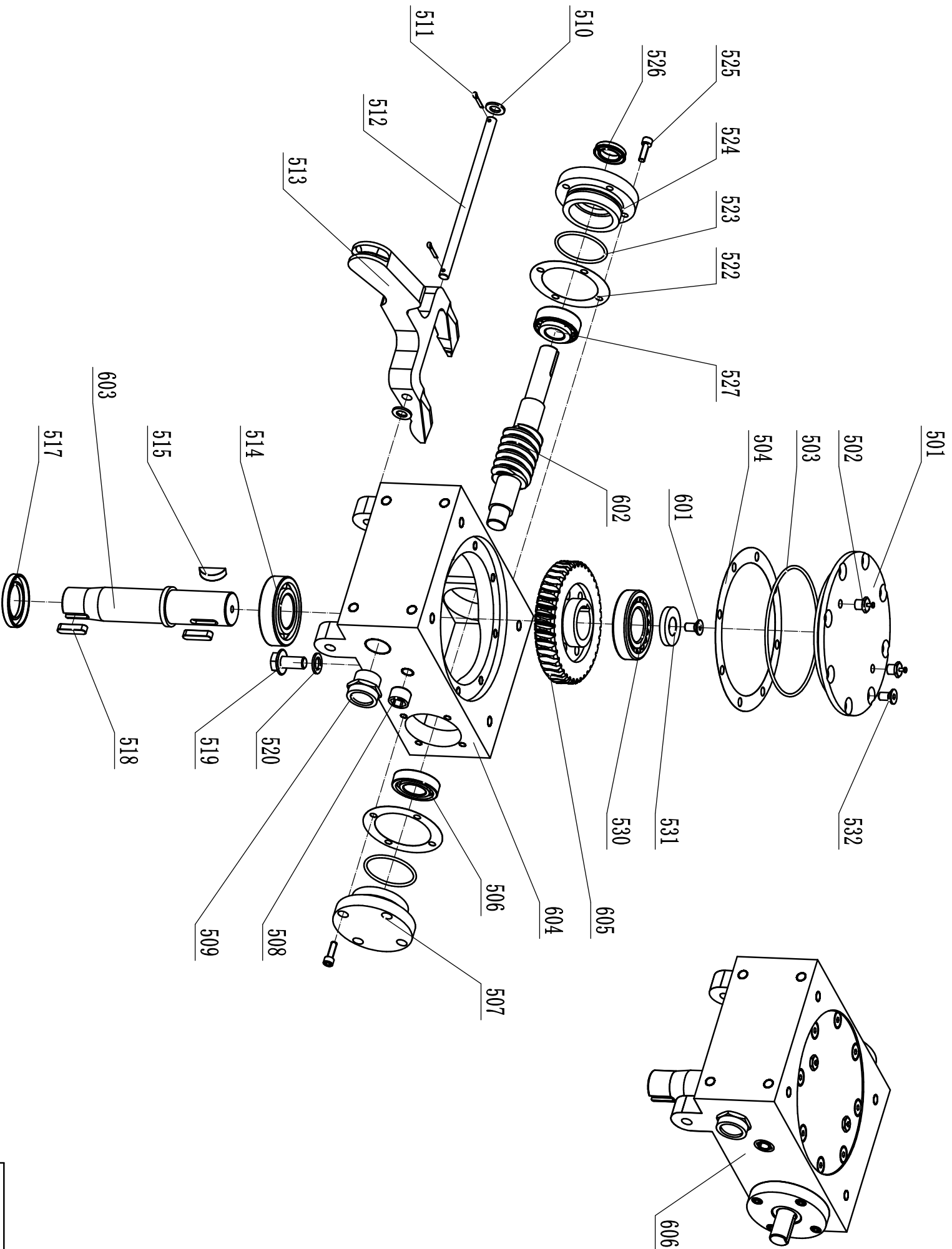
ITEM NO	PART NO.	DESCRIPTION	ERP NO.	QTY	REMARK
437	GB97. 1-16	FLAT GASKET GB97. 1-16	20501013	4	
438	GB889. 1-M16	LOCK NUT M16	20405009	4	
439	MRT364. 02. 08	CARDAN AXIS	40403020	1	



**PARTS LIST 5**  
**MRT364 SERIES****SPEED BOX ASSEMBLY RIGHT**

MRT364-BOM05-A

ITEM NO	PART NO.	DESCRIPTION	ERP NO.	QTY	REMARK
501	MT36-03-00-02	UPPER COVER	40201082	1	
502	MT36-03-00-11	AIR VALVE M10X1	40402068	2	
503	GB3452.1-130x3	O' RING 130X3	21101019	1	
504	MT36-03-00-03	GASKET	40504140	1	
505	GB70.3-M8x20	SCREW GB70.3-M8X20	20308111	1	
506	GB276-6204-2RS	BEARING	21001087	1	
507	MT36-03-00-04	STIFLE	41201128	1	
508	ZG1/2	HEXAGONAL SOCKET HEAD PLUG	21102004	1	
509	GB1160.2-M27x1.5	OIL LEVELER	21110007	1	
510	GB96.1-10	GASKET GB96.1-10	20504005	2	
511	GB91-2.5x16	COTTER	20805005	2	
512	MT36-05-05-02	FORK PIN	40102022	1	
513	MT36-05-05-01	SHIFTING FORK	40101059	1	
514	GB276-6207-2RS	BEARING	21001086	1	
515	GB1098-8x11x28	WOODRUFF KEY	20909002	1	
516	MRT364.03.04-2	WORM GEARWORM GEAR(RIGHT)	40403026	1	
517	GB13871-FB35x54x8	LIP-TYPE PACKING SEAL	21106047	1	
518	GB1096-8x30	FLAT KEY GB1096-8X30	20901163	2	
519	JB1000-M12x1.25	OUTER HEXAGONAL PLUG	21103006	1	
520	JB1002-12	COPPER PAD	21105007	1	
521	MRT364.03.03-2	RIGHT-HANDED WORM	40405013	1	
522	MT36-03-00-06	ADJUSTING WASHER	40504141	2	
523	GB3452.1-55x3	O' RING 55X3	21101021	2	
524	MT36-03-00-05	COVER	40503034	1	
525	GB70.1-M6x20	HEXAGON SOCKET CAP SCREWS	20306048	8	
526	GB13871-FB20x32x7	LIP-TYPE PACKING SEAL	21106046	1	
527	GB297-32204	BEARING 32204	21001084	1	
528	MRT364.03.01-2	RIGHT BOX	40901052	1	
529	MRT364.03.02-2	RIGHT-HANDED WORM GEAR	40605007	1	
530	GB297-30207	BEARING 30207	21001049	1	
531	MT36-03-00-10	GASKET	40504139	1	
532	GB70.3-M8x16	SCREW M8X16	20308110	8	
533	MRT364.03-2	SPEED BOX ASSEMBLY RIGHT	54601041	1	



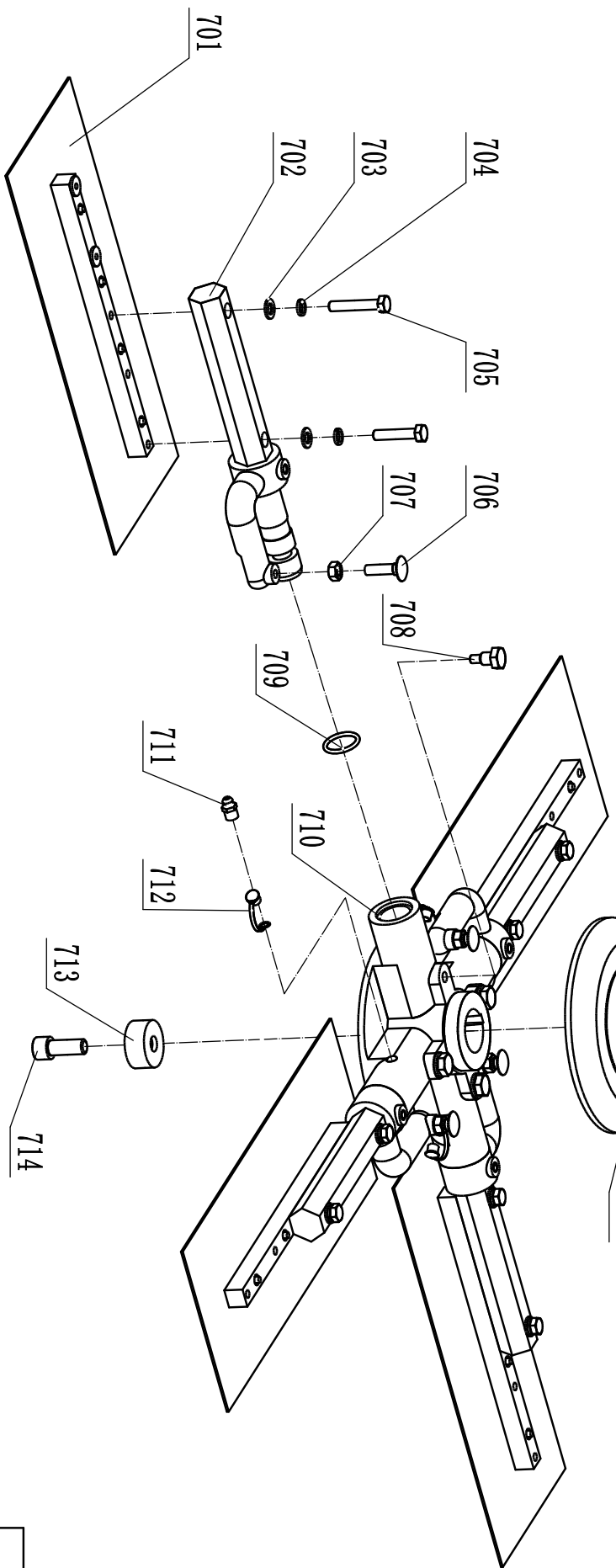
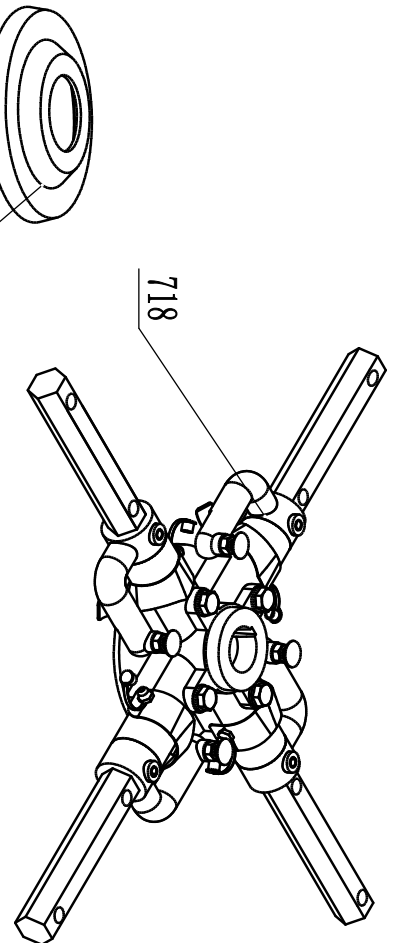
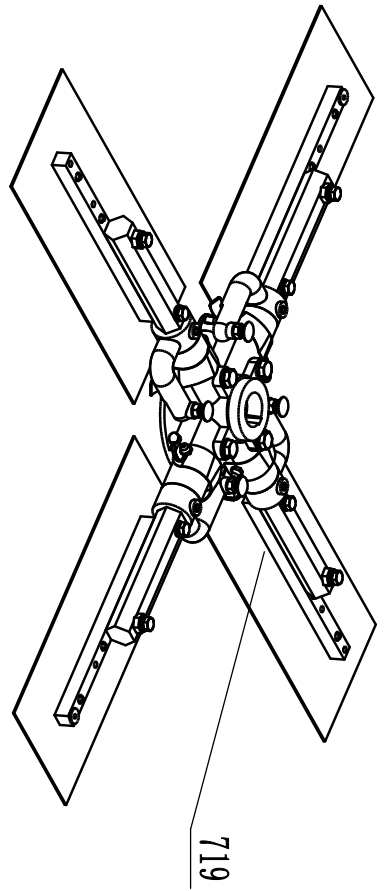
# PARTS LIST 6

## MRT364 SERIES

### SPEED BOX ASSEMBLY LEFT

MRT364-BOM06-A

ITEM NO	PART NO.	DESCRIPTION	ERP NO.	QTY	REMARK
501	MT36-03-00-02	UPPER COVER	40201082	1	
502	MT36-03-00-11	AIR VALVE M10X1	40402068	2	
503	GB3452.1-130x3	O' RING 130X3	21101019	1	
504	MT36-03-00-03	GASKET	40504140	1	
506	GB276-6204-2RS	BEARING	21001087	1	
507	MT36-03-00-04	STIFLE	41201128	1	
508	ZG1/2	HEXAGONAL SOCKET HEAD PLUG	21102004	1	
509	GB1160.2-M27x1.5	OIL LEVELER	21110007	1	
510	GB96.1-10	GASKET GB96.1-10	20504005	2	
511	GB91-2.5x16	COTTER	20805005	2	
512	MT36-05-05-02	FORK PIN	40102022	1	
513	MT36-05-05-01	SHIFTING FORK	40101059	1	
514	GB276-6207-2RS	BEARING	21001086	1	
515	GB1098-8x11x28	WOODRUFF KEY	20909002	1	
517	GB13871-FB35x54x8	LIP-TYPE PACKING SEAL	21106047	1	
518	GB1096-8x30	FLAT KEY GB1096-8X30	20901163	2	
519	JB1000-M12x1.25	OUTER HEXAGONAL PLUG	21103006	1	
520	JB1002-12	COPPER PAD	21105007	1	
522	MT36-03-00-06	ADJUSTING WASHER	40504141	2	
523	GB3452.1-55x3	O' RING 55X3	21101021	2	
524	MT36-03-00-05	COVER	40503034	1	
525	GB70.1-M6x20	HEXAGON SOCKET CAP SCREWS	20306048	8	
526	GB13871-FB20x32x7	LIP-TYPE PACKING SEAL	21106046	1	
527	GB297-32204	BEARING 32204	21001084	1	
530	GB297-30207	BEARING 30207	21001049	1	
531	MT36-03-00-10	GASKET	40504139	1	
532	GB70.3-M8x16	SCREW M8X16	20308110	8	
601	GB70.3-M8x20	SCREW GB70.3-M8X20	20308112	1	
602	MRT364.03.03-1	LEFT-HANDED WORM	40405012	1	
603	MRT364.03.04-1	WORM GEAR (LEFT)	40403025	1	
604	MRT364.03.01-1	LEFT BOX	40901051	1	
605	MRT364.03.02-1	LEFT-HANDED WORM GEAR	40605006	1	
606	MRT364.03-1	SPEED BOX ASSEMBLY LEFT	54601040	1	





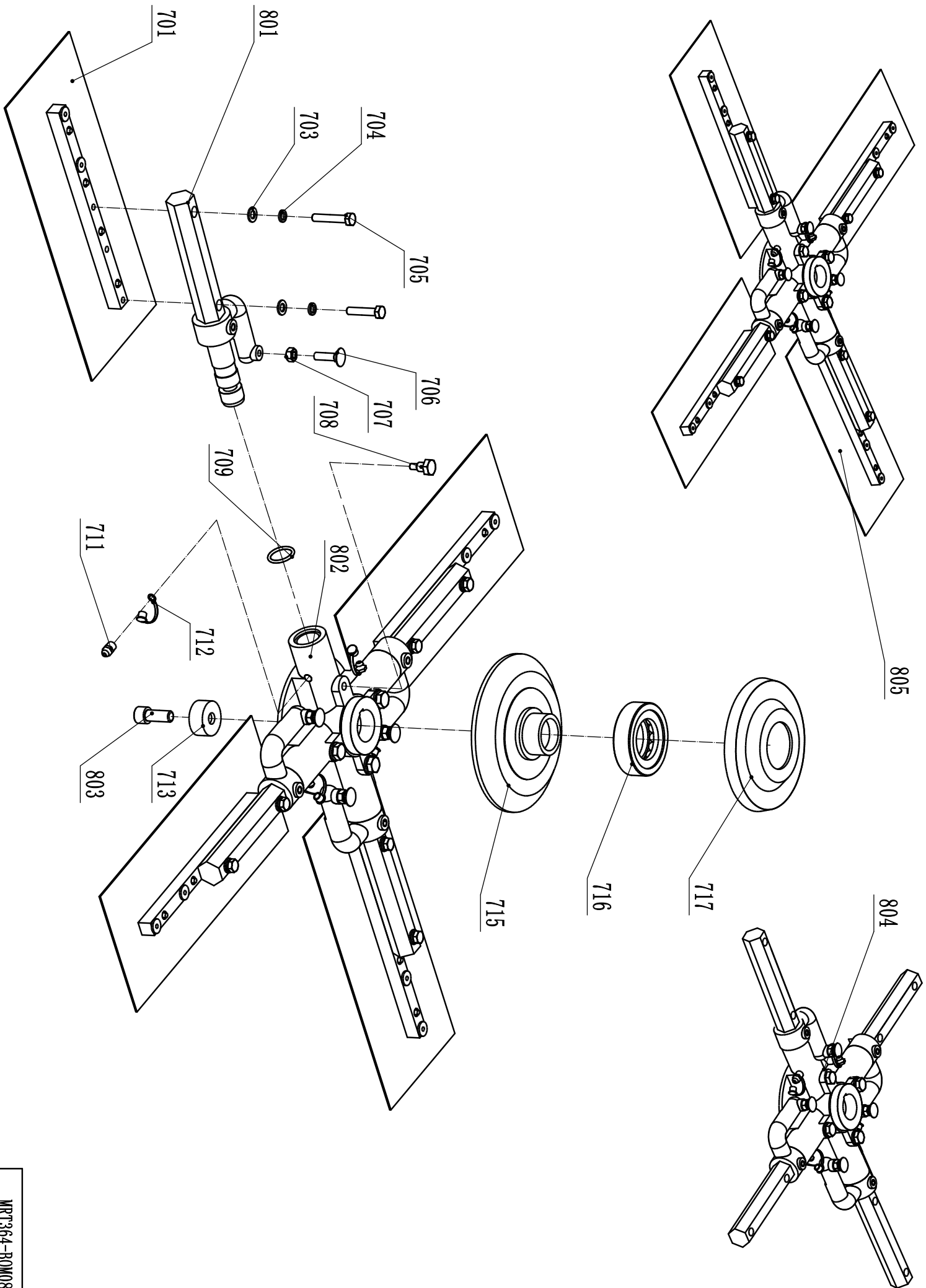
# PARTS LIST 7

## MRT364 SERIES

### SPEED BOX ASSEMBLY LEFT

MRT364-BOM07-A

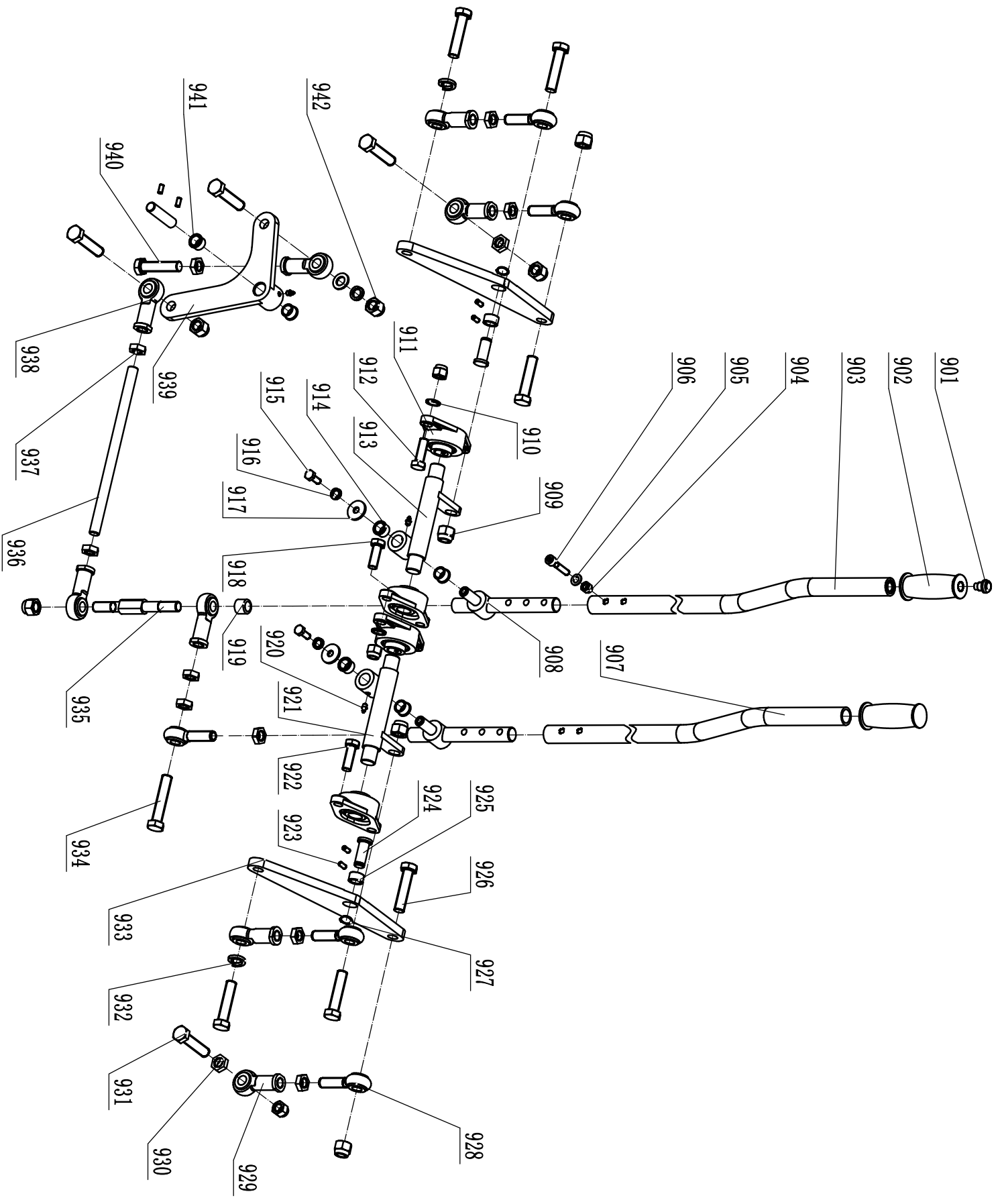
ITEM NO	PART NO.	DESCRIPTION	ERP NO.	QTY	REMARK
701	MT36-04-00-11	FINISHING BLADE	40302070	1	A group of four pieces
702	MRT364. 12-PWT	HEXAGONAL ROD BEND	40101092	4	
703	GB97. 1-8	FLAT GASKET	20501007	8	
704	GB93-8	SPRING WASHER	20509006	8	
705	5/16-18UNFx38	HEXAGON BOLT 5/16-18UNFX38	20109022	8	
706	GB14-M8x30	SQUARE NECK BOLT	20110021	4	
707	GB6170-M8	HEXAGON NUT	20401004	4	
708	MT36-04-00-06	LIMIT SCREW M10*20	40401054	4	
709	GB3452. 1-24x3	ORING	21101020	4	
710	MT36-04-00-04	CROSS	40302069	1	
711	GB11152-M10x1	M10*1 OIL CUP	20426027	4	
712	M6	OIL CUP DUST COVER	41201127	4	
713	MT36-04-00-05	CROSS GASKET	41201125	1	
714	GB70. 1-M12x30	SOKET HEAD CAP SCREW	20306014	1	
715	MT36/42/46-04-00-05	BLADE PLATEN	40503032	1	
716	MT36-04-00-02	BEARING 51209	21012012	1	
717	MT36-04-00-01	BEARING PLATEN	40503033	1	
718	MRT364. 11-1	SPEED BOX ASSEMBLY LEFT	54602011	1	without blade
719	MRT364. 11	SPEED BOX ASSEMBLY LEFT	54601146	1	With the blade



**PARTS LIST 8**  
**MRT364 SERIES**

**SPEED BOX ASSEMBLY RIGHT**

MRT364-BOM08-A					
ITEM NO.	PART NO.	DESCRIPTION	ERP NO.	QTY	REMARK
701	MT36-04-00-11	FINISHING BLADE	40302070	1	A group of four pieces
703	GB97.1-8	FLAT GASKET	20501007	8	
704	GB93-8	SPRING WASHER	20509006	8	
705	5/16-18UNFx38	HEXAGON BOLT 5/16-18UNFX38	20109022	8	
706	GB14-M8x30	SQUARE NECK BOLT	20110021	4	
707	GB6170-M8	HEXAGON NUT	20401004	4	
708	MT36-04-00-06	LIMIT SCREW M10*20	40401054	4	
709	GB3452.1-24x3	ORING	21101020	4	
711	GB11152-M10x1	M10*1 OIL CUP	20426027	4	
712	M6	OIL CUP DUST COVER	41201127	4	
713	MT36-04-00-05	CROSS GASKET	41201125	1	
715	MT36/42/46-04-00-05	BLADE PLATEN	40503032	1	
716	MT36-04-00-02	BEARING 51209	21012012	1	
717	MT36-04-00-01	BEARING PLATEN	40503033	1	
801	MRT364.12-PWT-F	HEXAGONAL ROD BEND	40101094	4	
802	MTR364.12.01	CROSS (RIGHT)	40302109	1	
803	GB70.1-M12x30	HEXAGON SOCKET CAP SCREWS	20306304	1	
804	MRT364.12-1	SPEED BOX ASSEMBLY RIGHT	54602012	1	without blade
805	MRT364.12	SPEED BOX ASSEMBLY RIGHT	54601147	1	With the blade



# PARTS LIST 9

## MRT364 SERIES

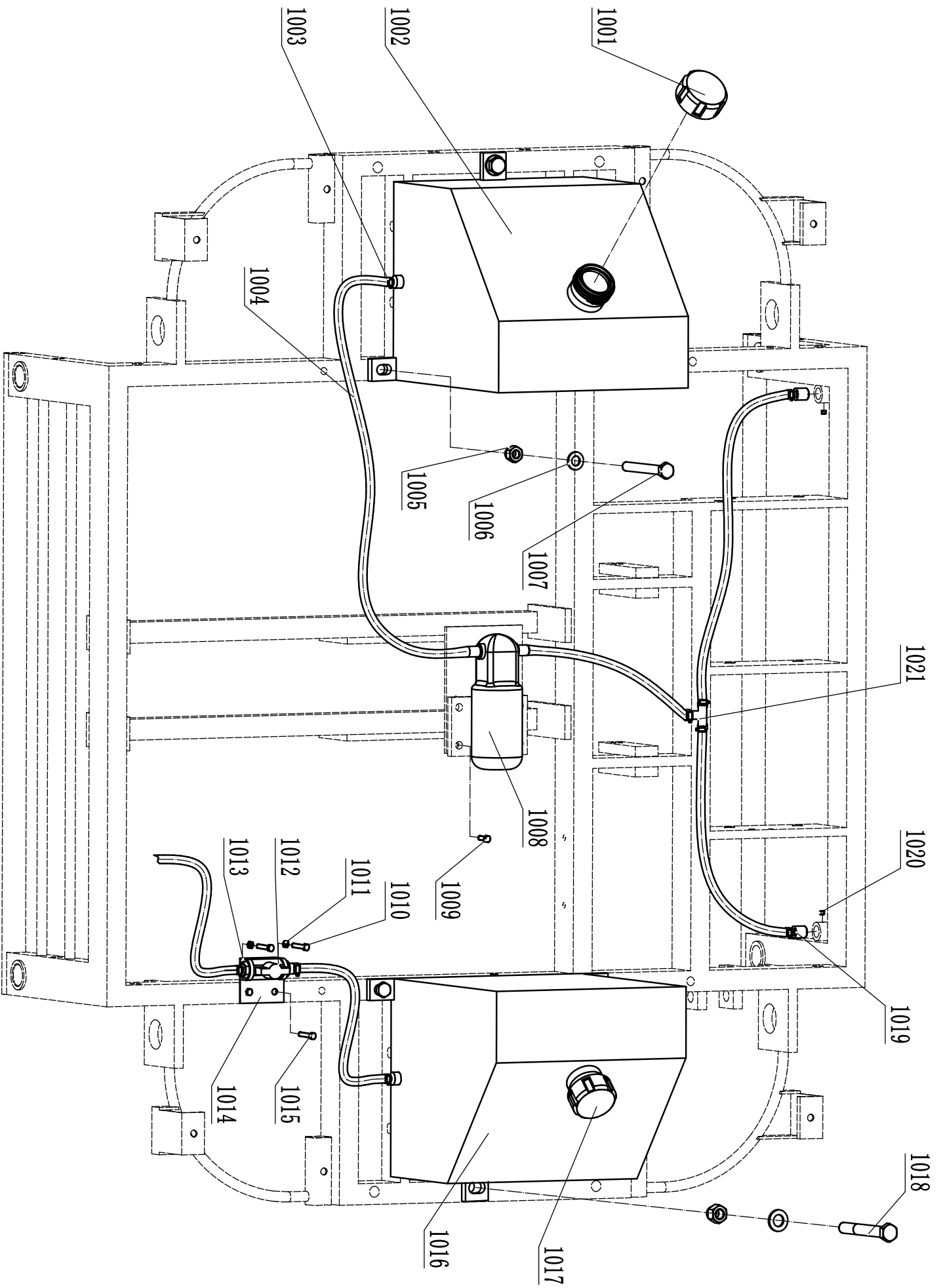
### CONTROL

MRT364-BOM09-A

ITEM NO	PART NO.	DESCRIPTION	ERP NO.	QTY	REMARK
901	DN12-A2	WATERPROOF METAL PUSH BUTTON SWITCH	41403087	1	
902	24x110	LEVEL SLEEVE	41202014	2	
903	MRT364.04.04.07	CONTROL LEVER	40102033	1	
904	GB889.1-M8	LOCKNUT	20405004	4	
905	GB97.1-8	FLAT GASKET Φ8	20501007	4	
906	GB70.1-M8x40	SOKET HEAD CAP SCREW M8x40	20306106	4	
907	MRT364.04.05.02	CONTROL LEVER	40102037	1	
908	MRT364.04.04.06	CONTROL LEVER	40102034	2	
909	GB889.1-M12	LOCKNUT	20405007	4	
910	GB97.1-12	FLAT WASHER	20501010	4	
911	GB7810-UCFLU205	BEARING	21012014	4	
912	GB5783-M12x40	HEXAGON BOLT	20102203	2	
913	MRT364.04.04.05	RIGHT BASE SHAFT	40403022	1	
914	GB2686-14x18x13	BEARING	21012016	6	
915	GB5783-M8x20	HEXAGON BOLT	20102101	2	
916	GB93-8	SPRING GASKET	20509006	2	
917	GB5287-8	WASHER	20504013	2	
918	GB5783-M12x55	HEXAGON BOLT	20102219	2	
919	MRT364.04.04.11	SLEEVE FOR CONNECTING ROD	41404014	1	
920	JB7940.1-M6x1	OIL CUP	21110006	3	
921	MRT364.04.05.01	LEFT BASE SHAFT	40403023	1	
922	GB5783-M12x25	HEXAGON BOLT	20102217	2	
923	GB77-M8x12	HEXAGON SOCKET SET SCREW WITH FLAT POINT	20311056	6	
924	MRT364.04.04.03	PIN	40402088	2	
925	GB2685-14x20x11	BEARING	21012017	2	
926	GB5783-M14x50	HEXAGON BOLT	20102238	6	
927	GB894.1-14	SPRING WAHSER	20601020	2	
928	SABP14S	BALL ARTICULATED MALE	41105017	5	
929	SIBP14S	BALL ARTICULATED FEMALE	41105016	7	
930	GB6172.1-M14	NUT	20406005	11	
931	GB5783-M14x55	HEXAGON BOLT	20102243	2	
932	GB93-14	STANDARD TYPE SPRING WASHERS	20509010	3	
933	MRT364.04.04.04	CONNECTING ROD	40407013	2	
934	GB5783-M14x90	HEXAGON BOLT	20102242	1	
935	MRT364.04.04.02	CONTROL CONNECTING ROD	40304019	1	
936	MRT364.04.04.09	BOLT	40401063	1	

## MRT364-BOM09-A

ITEM NO	PART NO.	DESCRIPTION	ERP NO.	QTY	REMARK
937	GB6172. 1-M14	NUT	20406006	1	
938	SIBP14S-F	BALL ARTICULATED FEMALE	41105023	1	
939	MRT364. 04. 04. 01	CONNECTING ROD	40407012	1	
940	GB5783-M14x40	HEXAGON BOLT	20102239	3	
941	MRT364. 04. 04. 08	CONNECTING ROD PIN	40402087	1	
942	GB889. 1-M14	LOCK NUT	20405025	9	



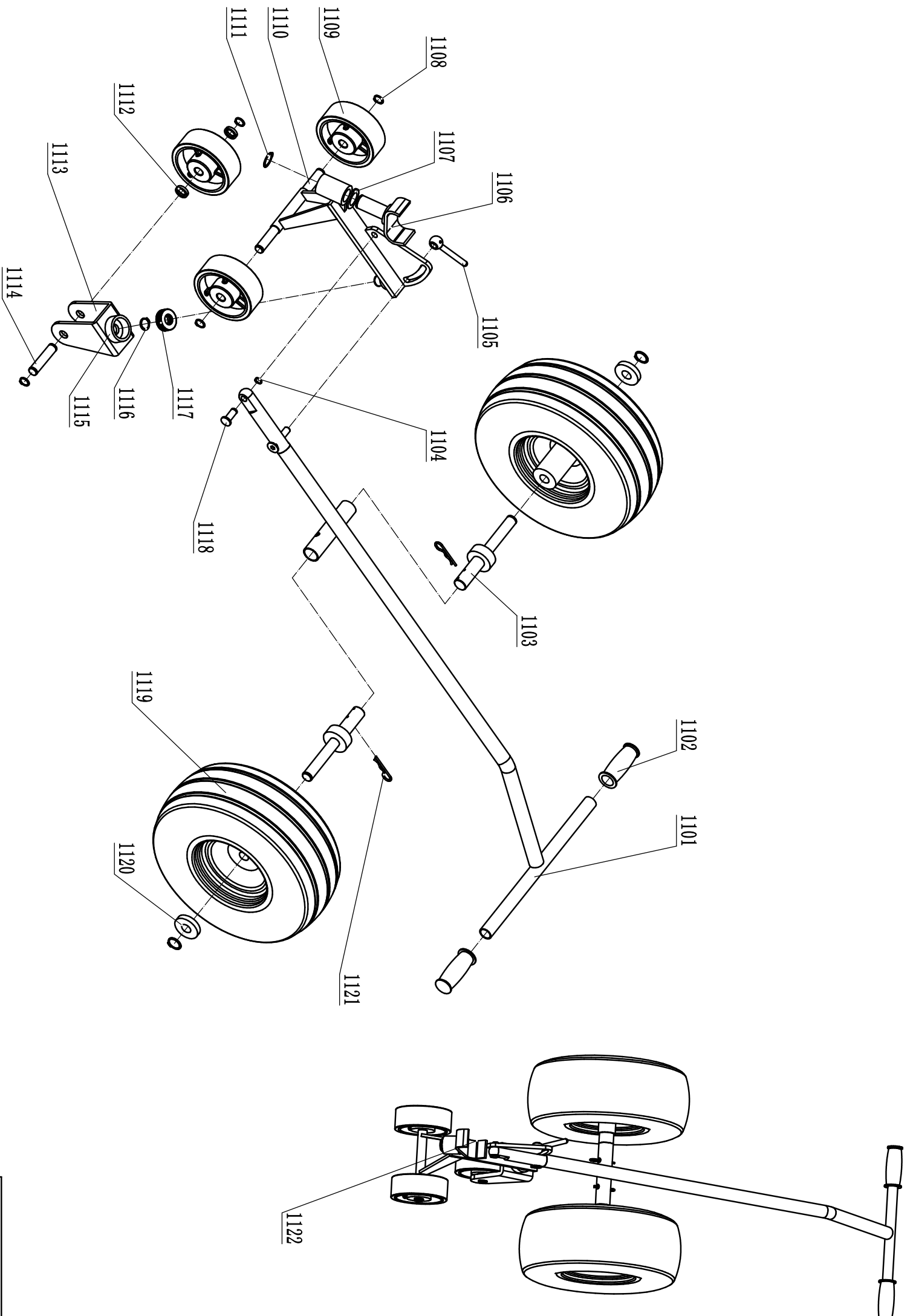
**PARTS LIST 10**  
**MRT364 SERIES**

## WATER AND OIL

MRT364-BOM10-A

ITEM NO	PART NO.	DESCRIPTION	ERP NO.	QTY	REMARK
1001	MRT464.06-01	WATER TANK COVER	41205098	1	
1002	MRT364.06.01	WATER TANK GROUP WELDING	41206011	1	
1003	DSHK-8-12	HOSE CLAMP	41406047	10	
1004	11x5	OIL TUBE	89001005	4m	
1005	GB889.1-M12	LOCK NUT	20405007	6	
1006	GB97.1-12	FLAT GASKET	20501010	6	
1007	GB5782-M12x80	HEXAGON BOLT	20101110	4	
1008	FL-3201	WATER PUMP	41407038	1	
1009	GB5783-M6x12	HEXAGON BOLT	20102051	4	
1010	GB5783-M6x30	HEXAGON BOLT	20102056	2	
1011	GB6170-M6	HEX NUT	20401003	2	
1012	GB15185-5	BALL VALVE	41403088	1	
1013	MRT364.05.01.02.02	VERTICAL PLATE	40102036	2	
1014	MRT364.05.01.02.01	VERTICAL	40102035	1	
1015	GB15856.4-ST4.8x25	TAPPING SCREW	20318053	2	
1016	MRT364.05.01.01	WATER TANK GROUP WELDING	40903053	1	
1017	MRS80-8010002NW	OIL TANK COVER	40903054	1	
1018	GB5782-M12x90	HEXAGON BOLT	20101119	4	
1019	MRT364.06.02	NOZZLE	40505071	2	
1020	GB77-M5x6	SOKET HEAD CAP SCREW	20311012	2	
1021	ST-5	T-JUNCTION	41104005	1	





# PARTS LIST 11

## MRT364 SERIES

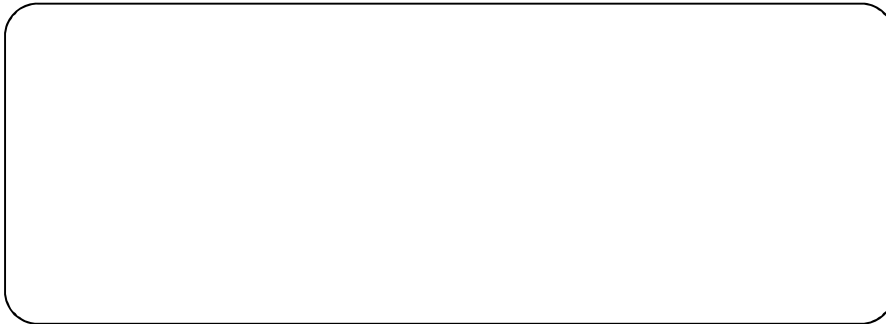
### WHEEL ASSY

MRT364-BOM11-A

ITEM NO.	PART NO.	DESCRIPTION	ERP NO.	QTY	REMARK
1101	MRT364. BY. 01	LIFTING BAR	40408012	1	
1102	24x110	HANDLE SLEEVE	41202014	2	
1103	MRT364. BY. 02	AXLE	40402081	2	
1104	GB894. 1-12	CIRCLIP D12	20601004	1	
1105	JB7270. 8-BM12x80	LEVER	21301001	1	
1106	MRT364. BY. 04	TRANSITION BOARD	40203323	1	
1107	MRT364. BY. 05	NYLON PAD	41201140	1	
1108	GB894. 1-17	CIRCLIP D17	20601006	4	
1109	OD125x50-ID17x57	PU CASTER WHEEL	41405023	3	
1110	MRT364. BY. 06	TRANSITION SUBJECT	40706013	1	
1111	GB894. 1-26	CIRCLIP D26	20601029	1	
1112	MRT364. BY. 08	EPIPODIUM GASKET	40201097	2	
1113	MRT364. BY. 07	FORECARRIAGE	41003097	1	
1114	MRT364. BY. 09	EPIPODIUM	40402082	1	
1115	MRT364. BY. 10	BEARING SHEALTH	41204024	1	
1116	GB894. 1-20	CIRCLIP D20	20601008	3	
1117	GB301-51204	BEARING 51204	21009006	1	
1118	MRT364. BY. 03	LIFT ROD SHAFT	40401059	1	
1119	15x6. 00-6	NFLATABLE WHEELS	41405020	2	
1120	GB97. 1-20	FLAT GASKET	20501014	2	
1121	MH3008. 00. 23	CLAMP	40103010	2	
1122	MRT364. BY	WHEEL ASSY	54601053	1	



*Distributed By*



MASALTA ENGINEERING CO., LTD

Add: 20 Dalian Road, Baohe Industrial Estate, Hefei, China

Tel: 86-551-64846600, 64846601 Fax: 86-551-64846616

E-mail: [sales@masalta.com.cn](mailto:sales@masalta.com.cn), [masalta@mail.hf.ah.cn](mailto:masalta@mail.hf.ah.cn),

[Http://www.masalta.com.cn](http://www.masalta.com.cn)