

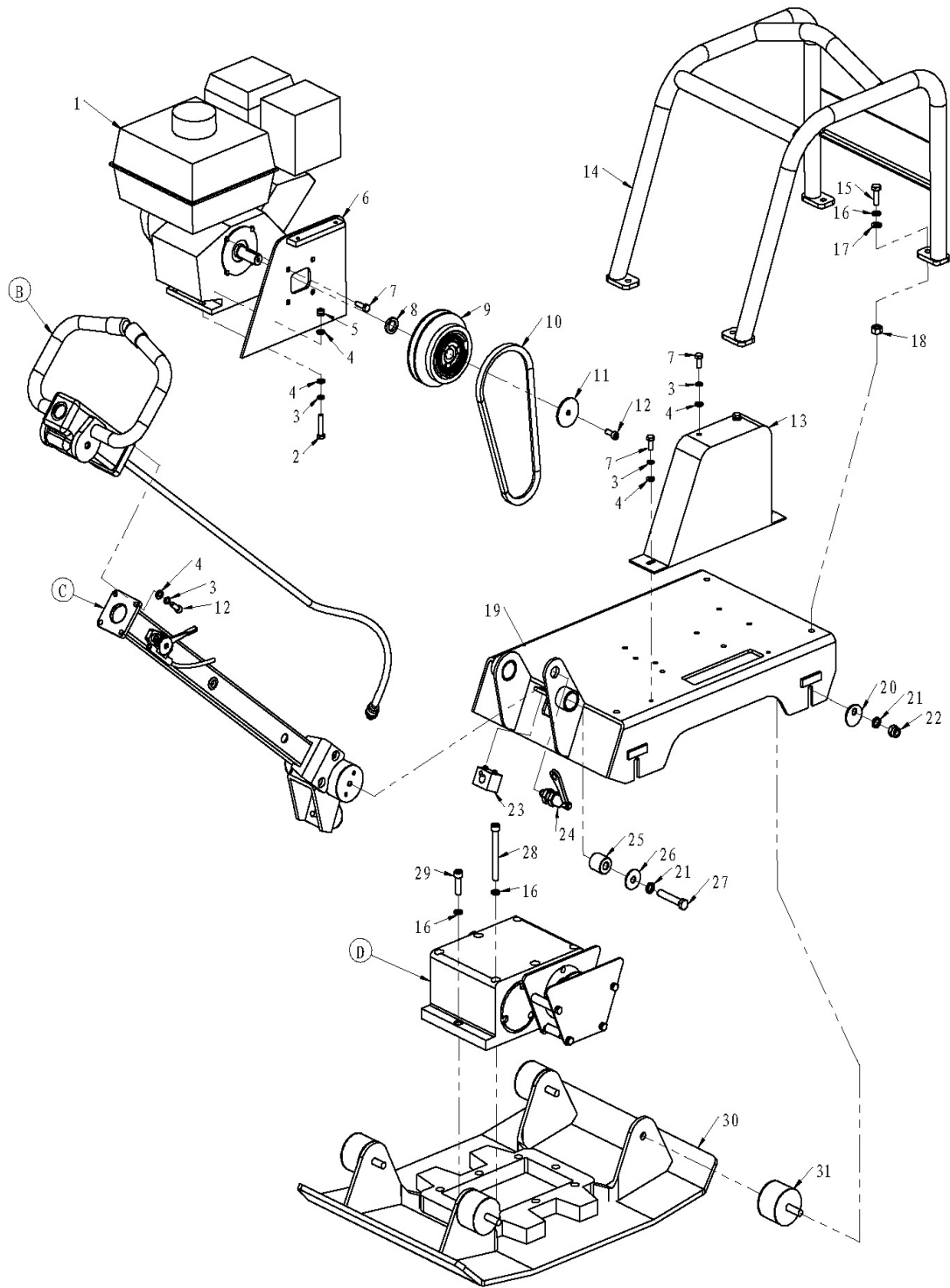


**MASALTA®**



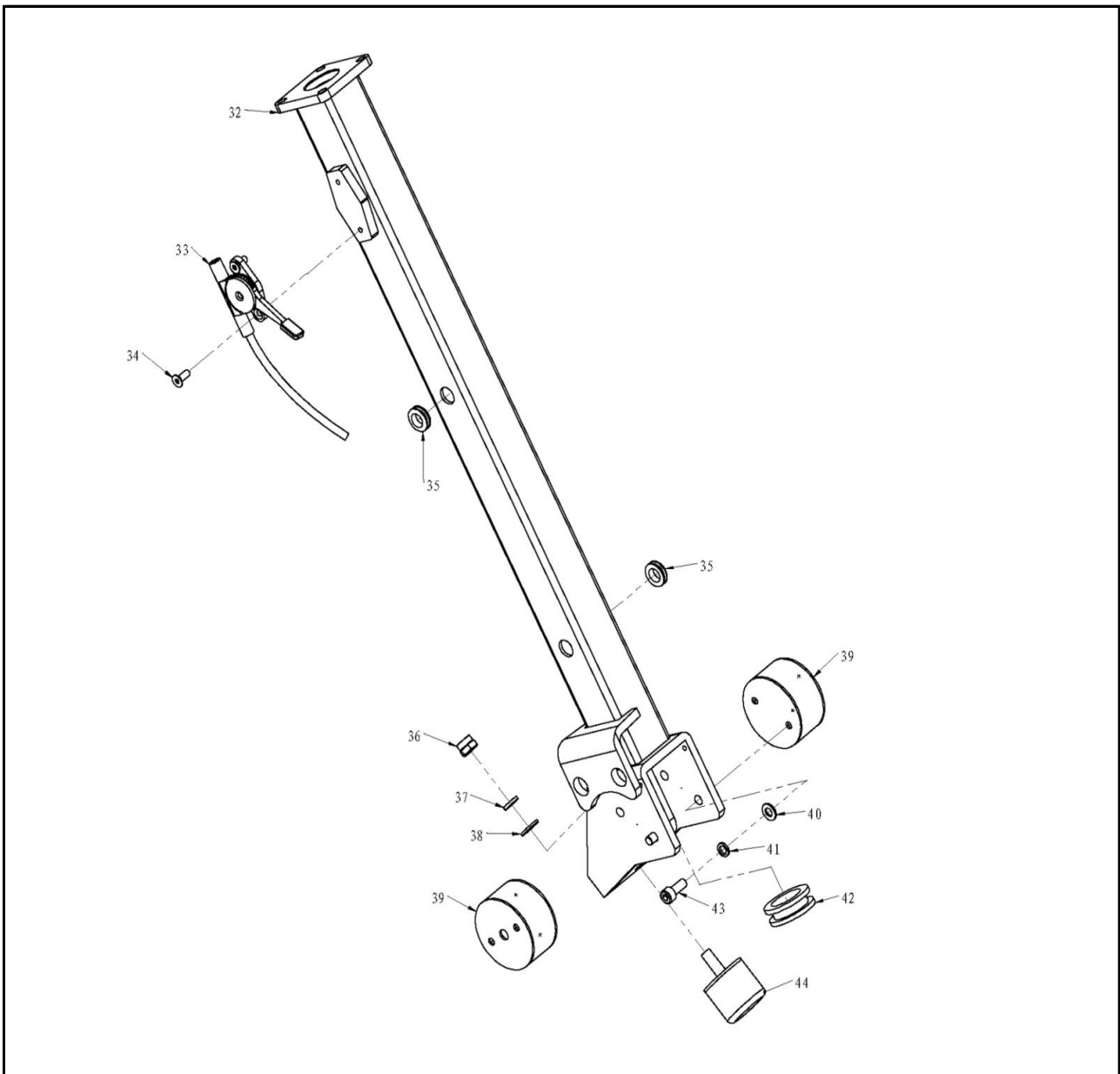
**PARTS LIST**  
**HYDRAULIC REVERSIBLE**  
**PLATE COMPACTOR**  
**MH125/MH160**





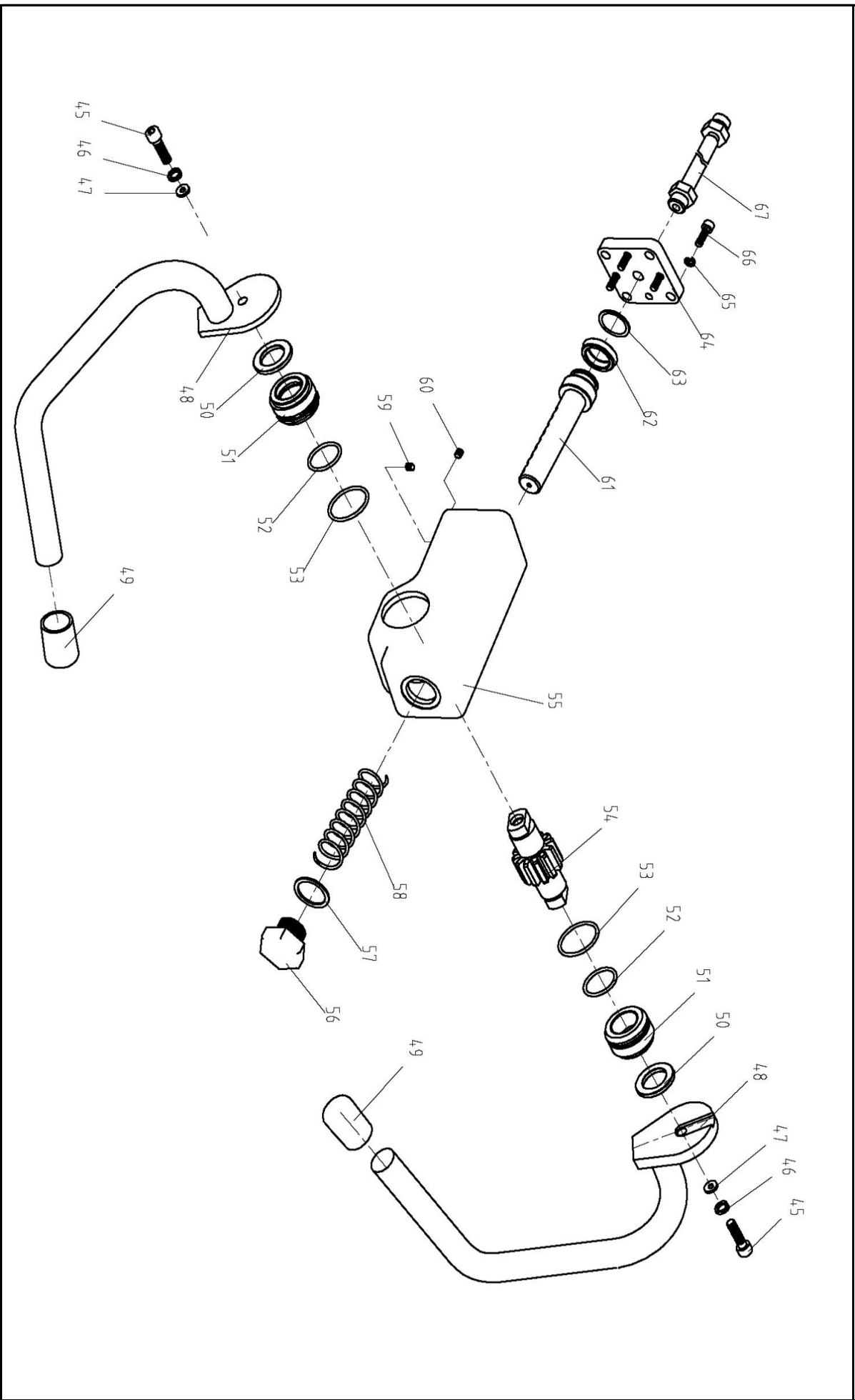
## MH125 MH160 PARTS LIST 1

ITEM NO.	PART NO.	DESCRIPTION	QTY	REMARK
1		PETROL ENGINE	1	
		DIESEL ENGINE	1	
2	GB/T70.1-M8X40	HEX HEAD SCREW M8X40	4	
3	GB/T93-8	SPRING WASHER 8	12	
4	GB/T97.1-8	FLAT WASHER	16	
5	GB/T889.1-M8	LOCK NUT M8	4	
6	MH160.00.01	BASE PLATE FOR BELT GUARD	1	FOR GX160
	MH160KM.00.01	BASE PLATE FOR BELT GUARD	1	FOR KM178F4
7	GB/T5783-M8X20	HEX BOLT M8X20	8	
8	MH4025R.00.12GZ	SHAFT SLEEVE	1	
9	MH4012.00.20GZ	CLUTCH ASSEMBLY	1	
10	XPA777	BELT	1	FOR GX160
	XPA843	BELT	1	FOR KM178F4
11	MH4012.00.23	FLAT WASHER	1	
12	GB/T70.1-M8X25	HEXAGONAL SCREW M8X25	5	
13	MH160.00.02	CLUTCH COVER	1	FOR GX160
	MH160KM.00.02	CLUTCH COVER	1	FOR KM178F4
14	MH160.02.00	PROTECTIVE FRAME	1	FOR GX160
	MH160KM.02.00	PROTECTIVE FRAME	1	FOR KM178F4
15	GB/T5783-M10X35	HEX BOLT M10X35	4	
16	GB/T93-10	SPRING WASHER 10	12	
17	GB/T97.1-10	FLAT WASHER 10	4	
18	GB/T889.1-M10	LOCK NUT M10	4	
19	MH125.01.00	BASE PLATE FOR ENGINE	1	MH125
	MH160.01.00	BASE PLATE FOR ENGINE	1	MH160
20	MH4025R.00.06	WASHER	4	
21	GB/T93-12	SPRING WASHER 12	6	
22	GB/T889.1-M12	LOCK NUT M12	4	
23	MH4025R.00.18	CLAMP	1	
24	170001	LOCK	1	
25	MH160.00.03	COLLAR	2	
26	MH4025R.00.24	WASHER	2	
27	GB/T5783-M12 X 60	HEX NUT M12 X 60	2	
28	GB/T70.1-M10X120	HEXAGONAL SCREW M10X120	6	
29	GB/T70.1-M10X35	HEXAGONAL SCREW M10X35	2	
30	MH125.04.00	BASE PLATE ASSEMBLY	1	MH125
	MH160.04.00	BASE PLATE ASSEMBLY	1	MH160
31	MH4025R.00.08C	VIBRATION DAMPER	4	



## MH125 MH160 PARTS LIST 2

ITEM NO.	PART NO.	DESCRIPTION	QTY	REMARK
32	MH160.03.01	RIVET WELD	4	
33	MH5030R.00.19L	THROTTLE CONTROL ASSY	4	
34	GB70.3-M6*20	HEXAGONAL SOCKET HEAD BOLT	2	
35	MH4025R.00.26	SLEEVE	2	
36	GB/T889.1-M10	LOCK NUT M10	1	
37	GB/T93-10	SPRING WASHER 10	1	
38	GB/T97.1-10	FLAT WASHER 10	1	
39	MH4025R.00.34	VIBRATION DAMPER	2	
40	GB/T97.1-8	FLAT WASHER 8	4	
41	GB/T93-8	SPRING WASHER 8	4	
42	MH4025R.00.04.02-11	SLEEVE, OIL HOSE	1	
43	GB/T70.1-M8X20	HEXAGONAL SCREW M8X20	4	
44	MH4025R.00.04.02-12	VIBRATION DAMPER	1	



### MH125 MH160 PARTS LIST 3

ITEM NO.	PART NO.	DESCRIPTION	QTY	REMARK
45	GB70-M8X25	HEXAGONAL SCREW M8X25	2	
46	GB93-8	SPRING WASHER 8	2	
47	GB97.1-8	FLAT WASHER 8	2	
48	MH4025R.00.04.01-01	HANDLE	2	
49	MH4025R.00.04.01-02	SLEEVE	2	
50	MH4025R.00.04.01-11	WASHER, NYLON	2	
51	MH4025R.00.04.01-06	SHAFT SLEEVE	2	
52	GB3452.1-26X2.65	O RING	2	
53	GB3452.1-38.7X2.65	O RING	2	
54	MH4025R.00.04.01-05	PINION SHAFT	1	
55	MH4025R.00.04.01-04	CASE, HYDRAULIC PUMP	1	
56	JB1000-M27X1.5	SOCKET PLUG	1	
57	JB1002-27	GASKET	1	
58	MH4025R.00.04.01-10	SPRING	1	
59	GB1016-6×6	BOLT 6X6	2	
60	GB73-M6×8	SCREW M6X8	1	
61	MH4025R.00.04.01-09	CONTROL PISTON	1	
62	GB10708.1-33X24X7	PISTON ROD SEAL	1	
63	GB3452.1-36.5X2.65	O RING	1	
64	MH160.03.03	SEAL PLATE	1	
65	GB93-8	SPRING WASHER 8	4	
66	GB70-M8X20	HEXAGONAL SCREW M8X20	4	
67	MH4025R.00.20	HYDRAULIC OIL HOSE	1	MH125
	MH4025R.00.20C	HYDRAULIC OIL HOSE	1	MH160

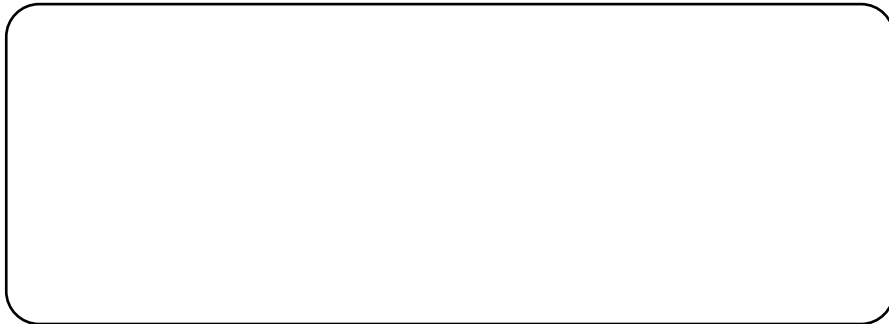


ITEM NO.	PART NO.	DESCRIPTION	QTY	REMARK
68	GB70-M6X30	HEXAGONAL SCREW M6X30	1	
69	GB93-6	SPRING WASHER 6	16	
70	100016-φ16	CLAMP	1	
71	MH4025R.00.29	WASHER	1	
72	GB70-M6×20	HEXAGONAL SCREW M6X20	15	
73	MH4025R.00.02-07	BEARING COVER	2	
74	GB3452.1-71X2.65	O RING	4	
75	NJ207/C3	BEARING	4	
76	MH4025R.00.02-08	SHAFT	1	
77	GB1096-10×18	KEY	1	
78	MH4025R.00.02-05	UNBALANCE WEIGHT	4	
79	DIN6796-10	SPRING WASHER	4	
80	GB70-M10×25	HEXAGONAL SCREW M10X25	4	
81	MH4025R.00.02-09	GEAR WHEEL	1	
82	MH4025R.00.02-03	GEAR	1	
83	MH4025R.00.02-04	PIN	1	
84	GB276-16008	BEARING	1	
85	GB894.1-40	RETAINING RING 40	1	
86	MH4025R.00.02-01	VIBRATION BOX	1	
87	MH4025R.00.02-02	SPINDLE	1	
88	GB13871-F040060X8	OIL SEAL	1	
89	FIR-354020	INNER RACE	1	
90	MH4025R.00.02-06	CYLINDER COVER	1	
91	JB1002-6	GASKET	1	
92	GB5783-M6×12	HEX BOLT M6X12	1	
93	GB10708.1-25X17X6.3	GASKET, RUBBER	1	
94	MH4025R.00.02.01-02	SLEEVE	1	
95	GB70-M5X10	HEXAGONAL SCREW M5X10	1	
96	GB97.1-5	FLAT WASHER 5	1	
97	608ZZ	BEARING	2	
98	GB893.1-22	RETAINING RING 22	1	
99	MH4025R.00.02.01-01	ROTARY SHAFT	1	
100	GB3452.1-31.5X2.65	O RING	1	
101	GB894.1-35	RETAINING RING 35	1	
102	BN32X12	SHAFT SEAL	1	
103	GB894.1-32	RETAINING RING 32	1	
104	MH4025R.00.02-11	BOLT	1	
105	MH4025R.00.02.02.OA	BELT COVER	1	
106	MH4025R.00.02-10	PULLEY	1	
107	MH4025R.00.02.02-04	COVER PLATE	1	
108	GB93-8	SPRING WASHER 8	4	
109	GB5782-M8×15	HEX BOLT M8X15	4	





*Distributed By*



**MASALTA ENGINEERING CO., LTD**

Add: Weisi Road, Baohe Industrial Estate, Hefei, China

Tel: 86-551-4846600, 4846601 Fax: 86-551-4846616

E-mail: sales@masalta.com.cn, masalta@mail.hf.ah.cn,

<http://www.masalta.com.cn>