

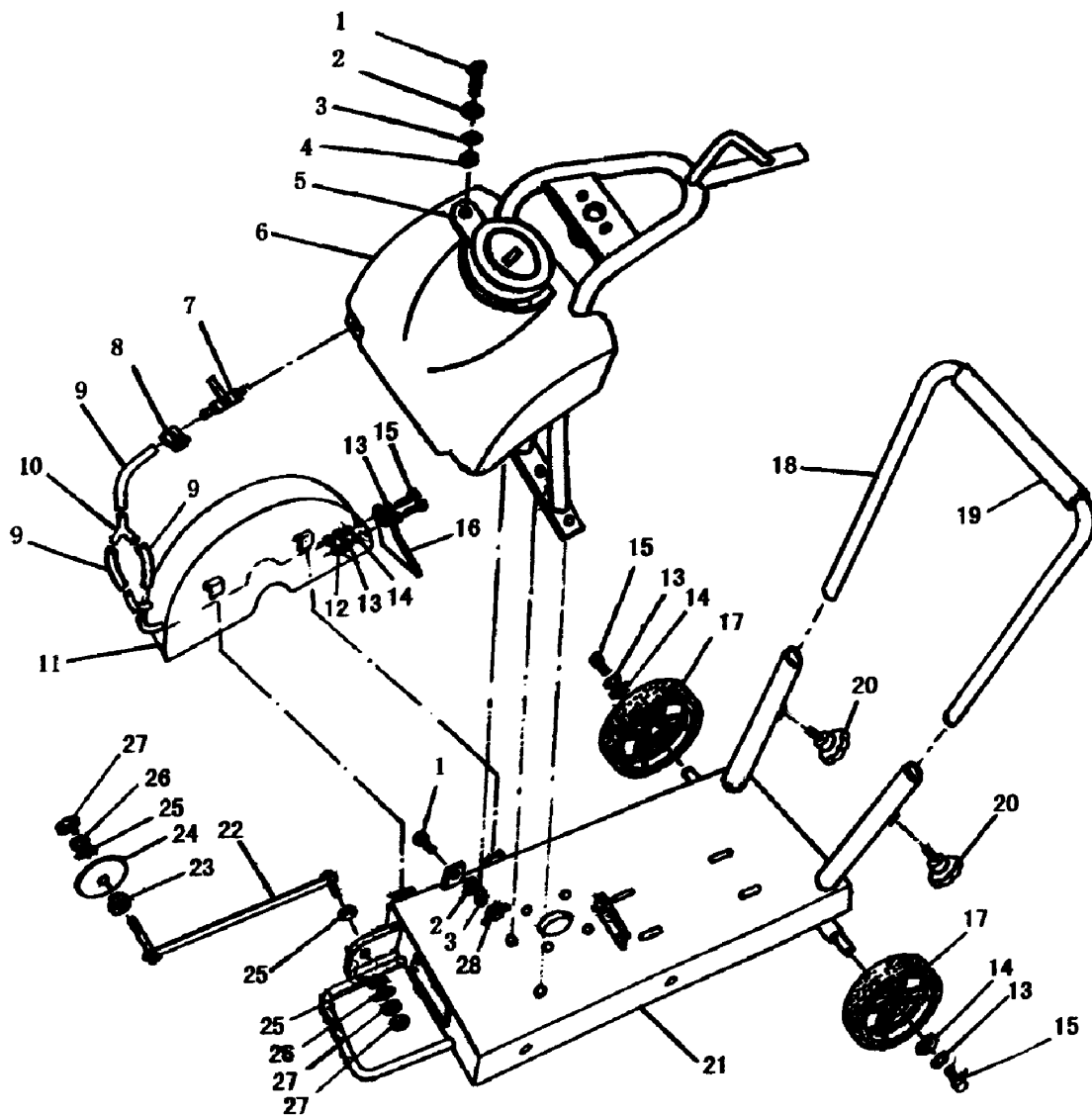


MASALTA®



PARTS MANUAL FLOOR SAW MF14

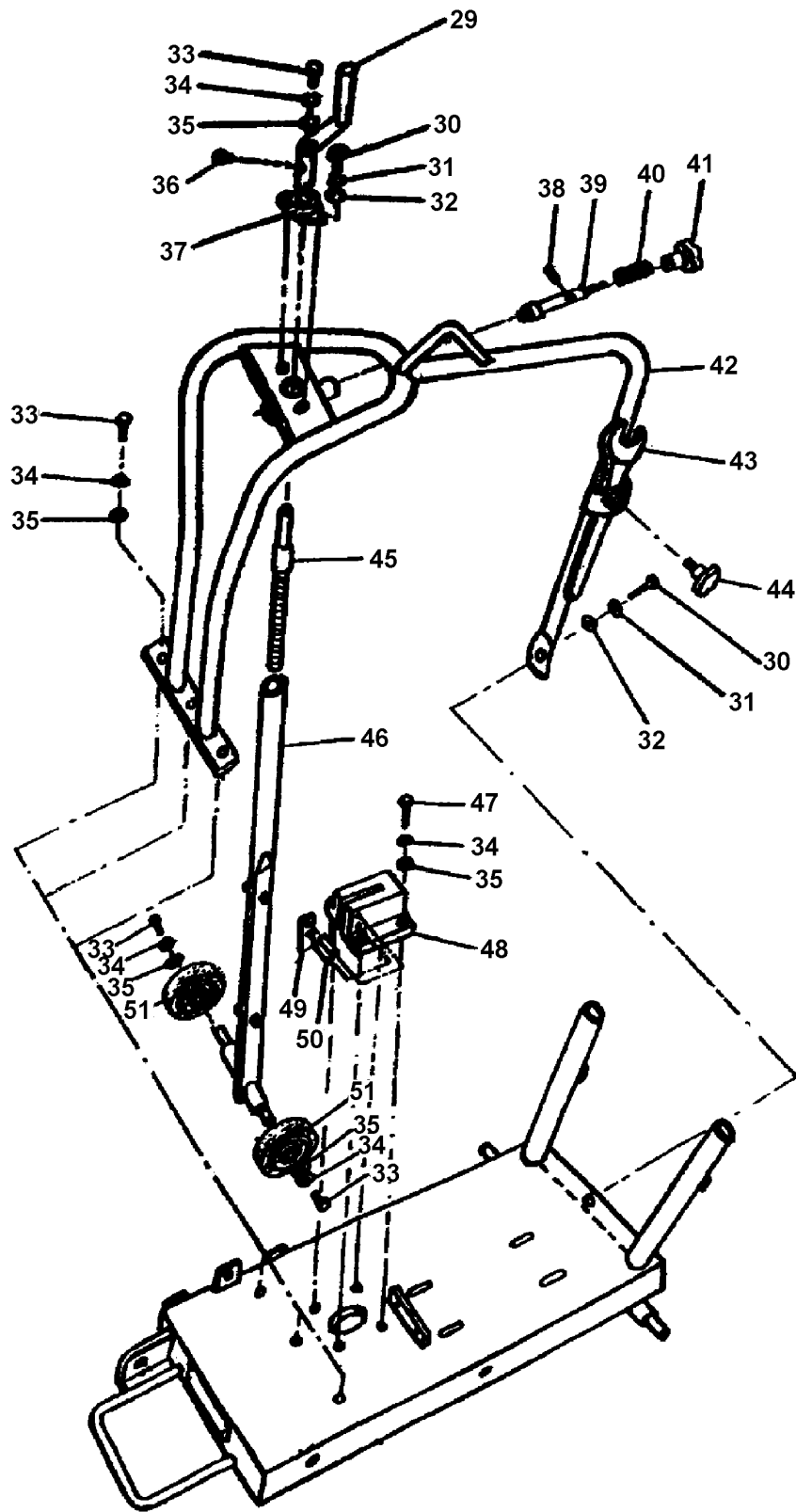




1. Major Components

1. Major Components

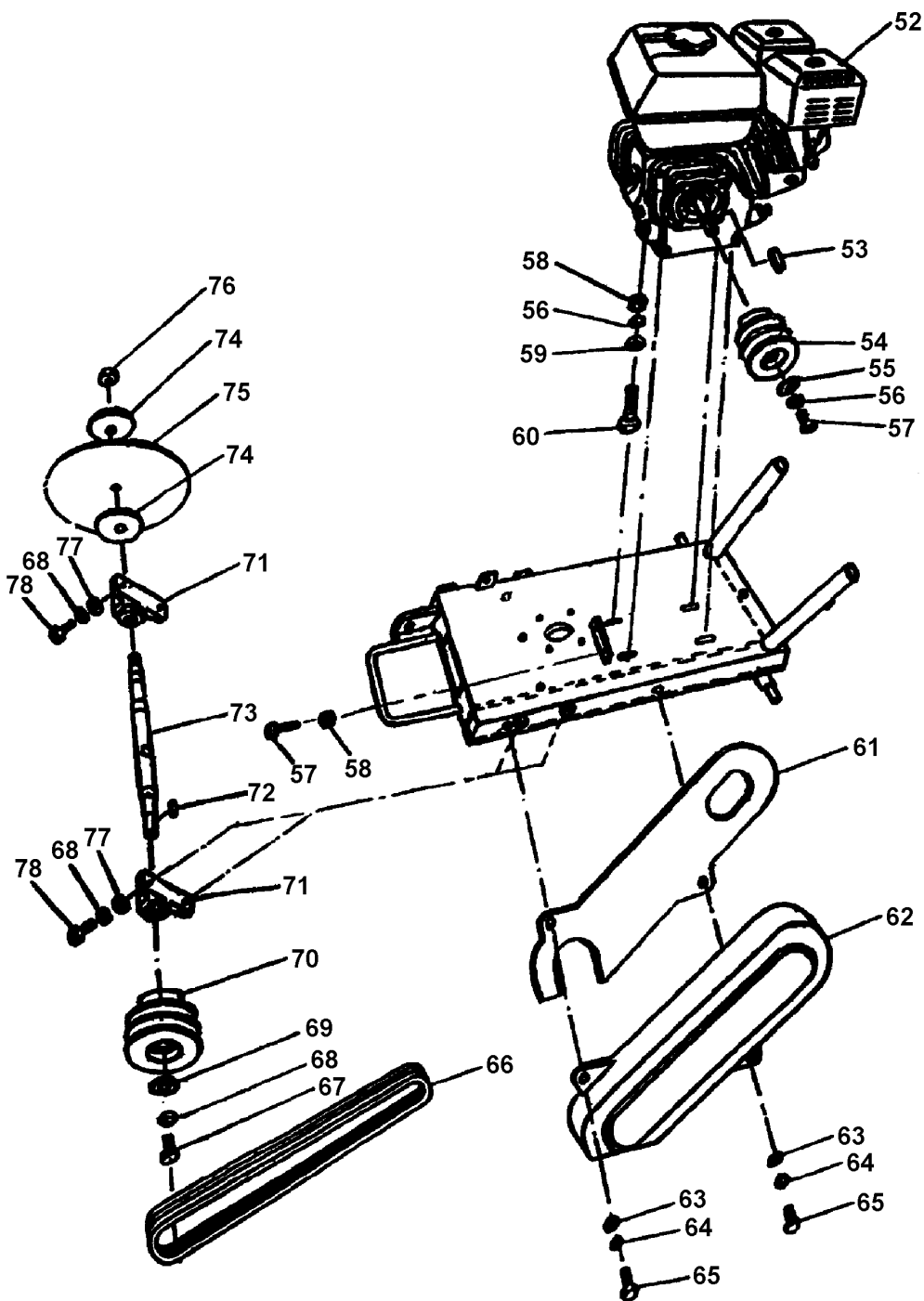
ITEM NO.	PART NO.	DESCRIPTION	QTY
1	12120101	HEXAGONAL BOLT M10 X 30	2
2	12120102	WASHER 10	2
3	12120103	SPRING WASHER 10	2
4	12120104	HEXAGONAL NUT M10	2
5	12120105	WATER TANK COVER	1
6	12120106	WATER TANK	1
7	12120107	COCK	1
8	12120108	HOOK	1
9	12120109	ELBOW	3
10	12120110	TEE	1
11	12120201	BLADE GUARD	1
12	12120202	HEXAGONAL NUT M8	2
13	12120203	SPRING WASHER 8	4
14	12120204	WASHER 8	6
15	12120205	HEXAGONAL BOLT M8 X 25	4
16	12120206	RUBBER MAT	1
17	12120301	WHEEL (REAR)	2
18	12120302	HANDLE	1
19	12120303	HANDLE BAR GRIP	1
20	12120304	KNOB	2
21	12120305	BASE ASSY.	1
22	12120401	POINTER	1
23	12120402	NUT	1
24	12120403	POINTER WHEEL	1
25	12120404	WASHER 12	3
26	12120405	SPRING WASHER 12	2
27	12120406	HEXAGONAL NUT M12	3
28	12120407	NUT (BUTTERFLY) M10	1



2. Depth Adjusting Assy.

2. Depth Adjusting Assy.

ITEM NO.	PART NO.	DESCRIPTION	QTY
29	12120501	WHEEL HANDLE	1
30	12120502	HEXAGONAL BOLT M10 X 30	3
31	12120503	SPRING WASHER 10	3
32	12120504	WASHER 10	3
33	12120505	HEXAGONAL BOLT M8 X 25	6
34	12120506	SPRING WASHER 8	10
35	12120507	WASHER 8	10
36	12120508	SCREW M8 X 12, CROSS HEAD	1
37	12120509	BEARING	1
38	12120601	SPRING PIN 4X16	1
39	12120602	PIN	1
40	12120603	SPRING	1
41	12120604	PULLING NUT	1
42	12120605	LIFTING HOOK	1
43	12120606	WRENCH	2
44	12120607	KNOB	1
45	12120701	SCREW STEM	1
46	12120702	CONNECTING STEM	1
47	12120703	HEXAGONAL BOLT M8 X 40	4
48	12120704	POINTER PLATE	1
49	12120705	TIGHTENING PLATE	1
50	12120706	PIN 8 X 50	2
51	12120707	WHEEL (FRONT)	2



3. Engine & Transmission Assy.

3. Engine & Transmission Assy.

ITEM NO.	PART NO.	DESCRIPTION	QTY
52	12120801-1	DIESEL, KAMA 170	1
	12120801-2	PETROL, 168FB	1
	12120801-3	PETROL, ROBIN EY20	1
	12120801-4	PETROL, HONDA GX160	1
53	12120802	KEY 5 X 45	1
54	12120803-1	PULLEY FOR DIESEL ENGINE	1
	12120803-2	PULLEY FOR CHINESE PETROL ENGINE	1
	12120803-3	PULLEY FOR ROBIN ENGINE	1
	12120803-2	PULLEY FOR HONDA ENGINE	1
55	12120804	WASHER 8	1
56	12120805	SPRING WASHER 8	5
57	12120806	HEXAGONAL BOLT M8 X 25	3
58	12120807	HEXAGONAL NUT M8	6
59	12120808	WASHER 8	4
60	12120809	HEXAGONAL BOLT M8 X 40	4
61	12120901	INNER GUARD	1
62	12120902	BELT GUARD	1
63	12120903	WASHER 10	2
64	12120904	SPRING WASHER 10	2
65	12120905	HEXAGONAL BOLT M10 X 30	2
66	12120906	BELT	2
67	12120907	HEXAGONAL BOLT M12 X 25	1
68	12120908	SPRING WASHER 12	5
69	12120909	WASHER 12	1
70	12120910	PULLEY, AXIS	1
71	12120911	BEARING	2
72	12120912	KEY 8 X 35	1
73	12120913	PRINCIPAL AXIS	1
74	12120914	BLADE FLANGE	2
75	12120915	BLADE	1
76	12120916	NUT	1
77	12120917	WASHER 12	2
78	12120918	HEXAGONAL BOLT M12 X 45	2



Distributed By



MASALTA ENGINEERING CO., LTD

Add: Weisi Road, Baohe Industrial Estate, Hefei, China
Tel: 86-551-4846600, 4846601 Fax: 86-551-4846616
E-mail: sales@masalta.com.cn, masalta@mail.hf.ah.cn,
[Http://www.masalta.com.cn](http://www.masalta.com.cn)