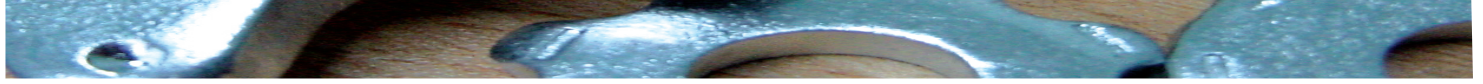




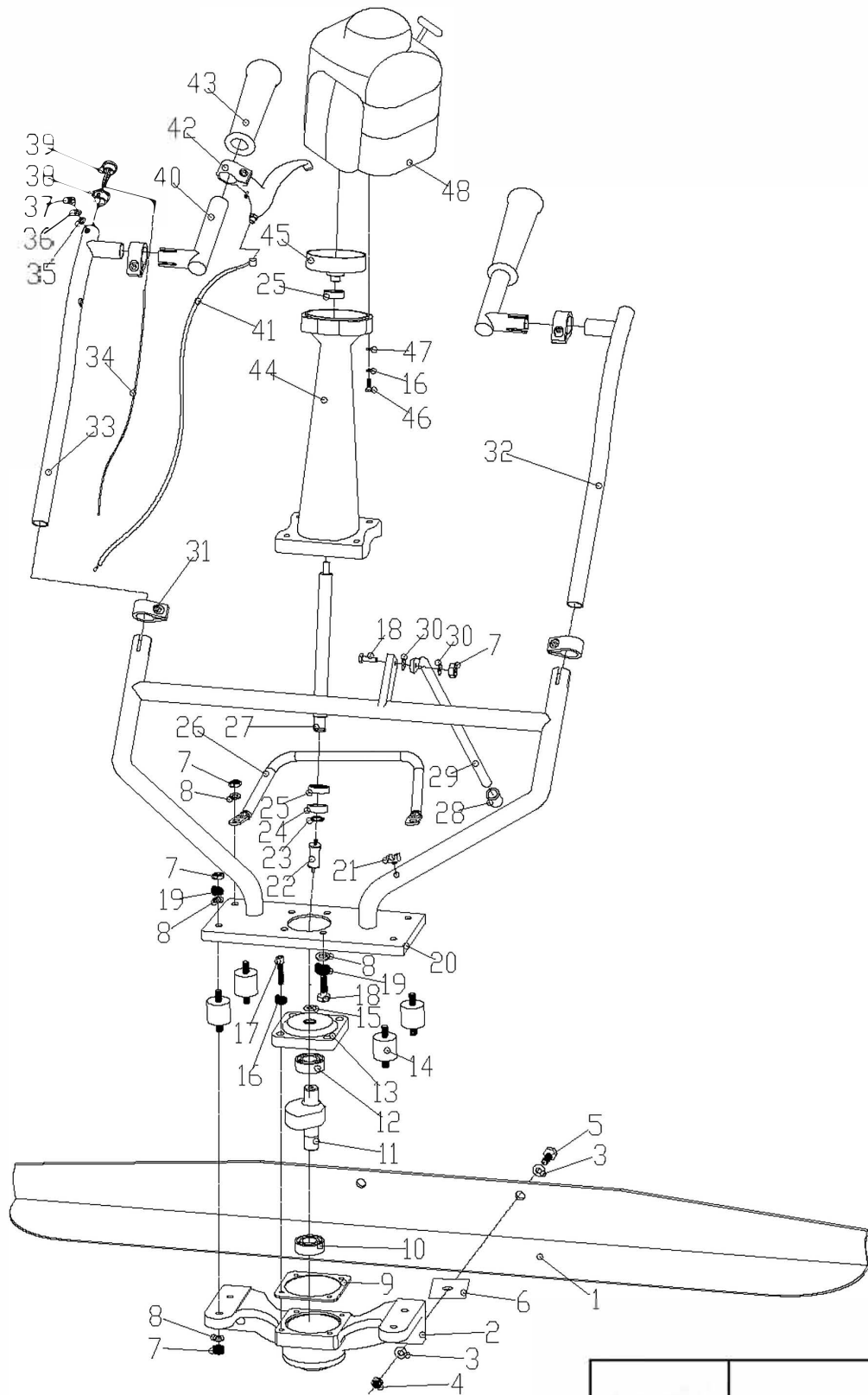
MASALTA®



PARTS MANUAL SURFACE FINISHING SCREED MCD SERIES



MCD-BOM-C



MCD-BOM-C

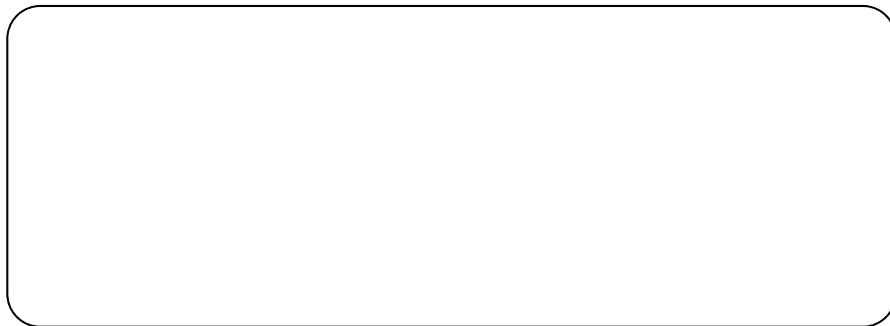
ITEM NO.	PART NO.	DESCRIPTION	ERP NO.	QTY	REMARK
1	MG12-0012	SCREED BLADE	40209005	1	1.2M,OTHER LENGTH OPTIONAL
2	MG12-0102	VIBRATION BRACKET	40801004	1	
3	GB97.1-12	WASHER 12	20501011	4	
4	GB889.2-M12x1.25	SCREW M12X1.25	20405016	2	
5	GB5785-M12X1.25X55	BOLT M12X1.25X55	20102207	2	
6	MG12-0013	RECTANGULAR GASKET	41201037	1	
7	GB889.1-M8	SCREW M8	20405004	9	
8	GB97.1-8	WASHER 8	20501007	12	
9	MG12-0105	GASKET	41302004	1	
10	GB276-62203-2RS	BEARING 62203-2RS	21001065	1	
11	MG12-0103	ECCENTRIC SHAFT	40404008	1	
12	GB297-3202-2RS	BEARING 3202-2RS	21007001	1	
13	MG12-0104	BEARING COVER	40502007	1	
14	MG12-0200A	VIBRATION DAMPER	41201015	4	
15	GB9871.1-FB153007MQ	OIL SEAL FB 15 30 7 MQ	21106001	1	
16	GB93-6	SPRING WASHER 6	20509004	8	
17	GB70.1-M6X25	HEXAGONAL BOLT M6X25	20306055	4	
18	GB5783-M8X25	BOLT M8X25	20102103	5	
19	GB93-8	SPRING WASHER 8	20509006	6	
20	MG12-0760	HANDLE FRAME	40305025	1	CHROMIUM PLATING
	MG12-0760A	HANDLE FRAME	40305103	1	SPRAYING PLASTICS
21	MG12-0774	RUBBER PAD	41205029	1	
22	MG12-0410	RUBBER CONNECTION	41205030	1	
23	GB894.1-12	RETAINING RING 12	20601004	1	
24	GB276-6201-2RS	BEARING 6201-2RS	21001055	1	
25	GB276-6201-ZZ	BEARING 6201-ZZ	21001057	2	
26	MG12-0300	GRIP FOR HANDLE	41003079	1	CHROMIUM PLATING
	MG12-0300A	GRIP FOR HANDLE	41003096	1	SPRAYING PLASTICS
27	MG12-0402	DRIVE SHAFT	40403005	1	
28	MG12-0771	STAND RUBBER	41205031	1	
29	MG12-0772	STAND	41003075	1	CHROMIUM PLATING
	MG12-0772A	STAND	41003095	1	SPRAYING PLASTICS

MCD-BOM-C

ITEM NO.	PART NO.	DESCRIPTION	ERP NO.	QTY	REMARK
30	MG12-0773	WASHER	41201068	2	
31	MG12-0740	HOSE CLAMP	41406026	1	
32	MG12-0710	HANDLE INTUBATION (LEFT)	41003078	1	
33	MG12-0750B	HANDLE INTUBATION (RIGHT)	41003076	1	
34	MG12-0022	WIRE 1mm ²	82401003	1	1.6m
35	GB97.1-5	WASHER 5	20501003	1	
36	GB93-5	SPRING WAHSER 5	20509002	1	
37	GB818-M5X8	CROSS RECESS HEAD SCREW	20301050	1	
38	MG12-0750A.01	INTERNAL THREAD COVER	40503014	1	
39	KG001	ON OFF SWITCH	41403038	1	
40	MG12-0732	HANDLE GRIP SECTION	41003077	2	
41	MG12-0500	TROTTLE CABLE ASSY.	41403039	1	FOR HONDA ENGINE
	MG12-0500B	TROTTLE CABLE ASSY.	41403040	1	FOR ROBIN OR CHINESE ENGINE
42	MG12-0720	THROTTLE LEVER	41403041	1	
43	MG12-0731	GRIP FOR HANDLE	41202006	1	
44	MG12-0401	SUPPORTING FRAME	40804009	1	MASALTA
	MG12-0401Z	SUPPORTING FRAME	40804014	1	NEUTRAL
45	MG12-0420	CLUTCH ASSY.	40501016	1	
46	GB5783-M6X35	BOLT M6X35	20102059	4	
47	GB97.1-6	WASHER 6	20501005	4	
48	HONDA GX35	PETROL ASSY.	41401051	1	
	1E44F-2A	PETROL ASSY.	41401063	1	DOMESTIC
	ROBIN EH035	PETROL ASSY.	41401026	1	



Distributed By



MASALTA ENGINEERING CO., LTD

Add: 20 Dalian Road, Baohe Industrial Estate, Hefei, China

Tel: 86-551-64846600, 64846601 Fax: 86-551-64846616

E-mail: sales@masalta.com.cn, masalta@mail.hf.ah.cn,

[Http://www.masalta.com.cn](http://www.masalta.com.cn)