



**MASALTA®**



# **PARTS LIST**

## **TAMPING RAMMER**

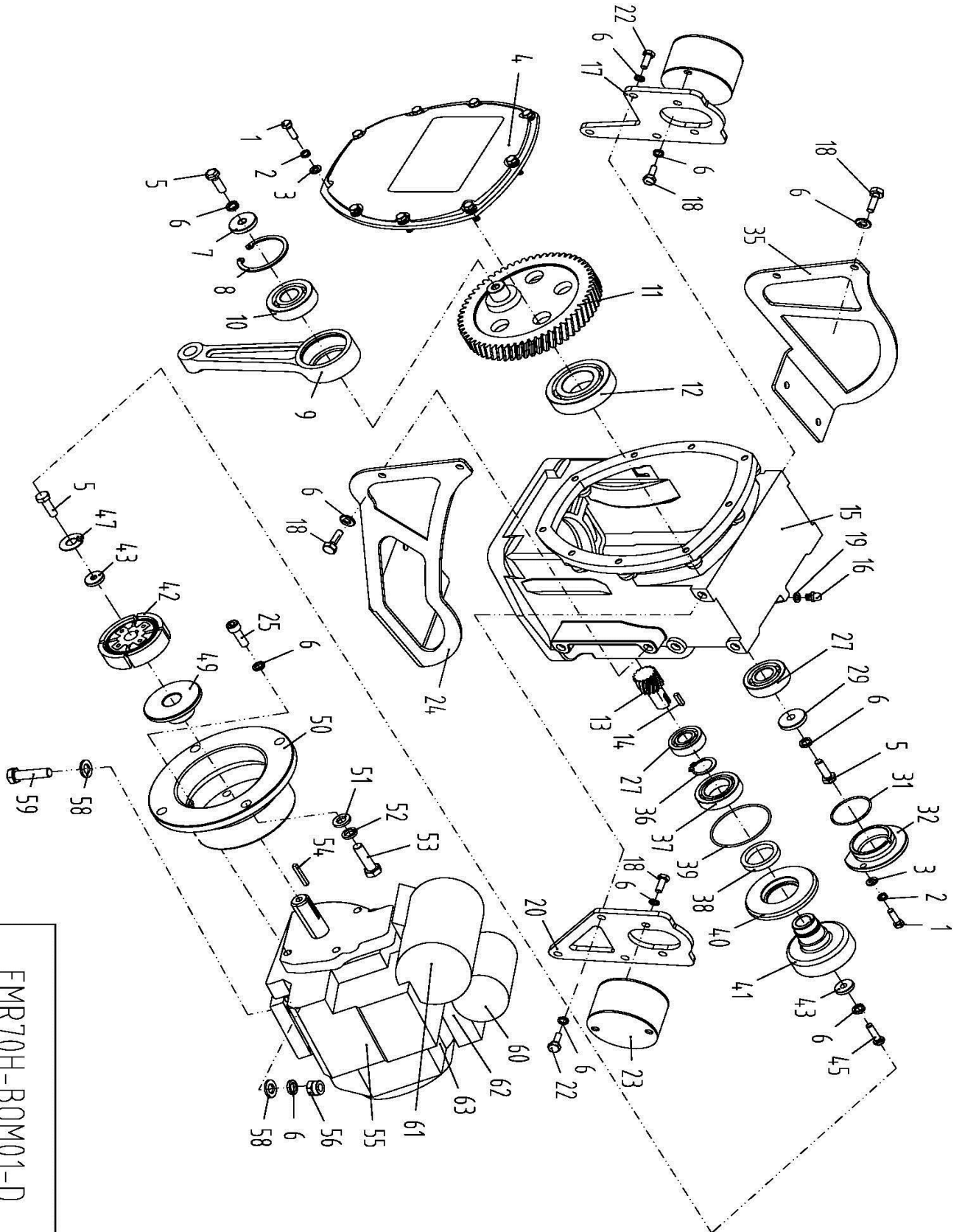
### **EMR70H**



# PARTS LIST 1 EMR70H SERIES

## GEARBOX CASING ASSEMBLY

EMR70H-BOM01-D



EMR70H-BOM01-D

## PARTS LIST 1 EMR70H SERIES

GEARBOX CASING ASSEMBLY

EMR70H-BOM01-D

ITEM NO.	PART NO.	DESCRIPTION	ERP NO.	QTY	REMARK
1	GB5783-M6x20	BOLT M6X20-GB5783	20102054	11	
2	GB97.1-6	WASHER 6-GB97.1	20501005	11	
3	GB93-6	SPRING WASHER 6-GB93	20509004	11	
4	MRS62-4002	GEAR COVER	40903003	1	
	MRS62-4002-Z	GEAR COVER	40903004	1	NEUTRAL
5	GB5783-M8x25	BOLT M8X25-GB5783	20102102	3	
6	GB93-8	SPRING WASHER 8-GB93	20509006	21	
7	MRS80-804302	RETAINING RING	40504003	1	
8	GB893.1-52	RETAINING RING 52-GB893.1	20602008	1	
9	MRS80-804301B	CONNECTING ROD	40407001	1	
10	GB276-6304	BEARING	21001066	1	
11	MRS80-804101C	CRANK GEAR	40601002	1	
12	GB276-6207	BEARING	21001062	1	
13	MRS80-804201C	GEAR SHAFT	40602002	1	
14	GB1096-6x20	KEY 6X20-GB1096	20901101	1	
15	EMR70.4001XB	CRANK CASE	40901038	1	
16	GB11152-M6	GREASE NIPPLE	21110001	1	
17	MRS62-5003R	BRACKET, RIGHT	40206002	1	
18	GB5783-M8x20	BOLT M8X20-GB5783	20102101	8	
19	MRS62-4005-01	NYLON WASHER	40504004	1	
20	MRS62-5003L	BRACKET, LEFT	40206001	1	
22	GB5783-M8x30	BOLT M8X30-GB5783	20102105	6	
23	MRS62-6000	VIBRATION DAMPER	41201002	2	
24	EMR70.5103	PROTECTION FRAME, LEFT	40207034	1	
25	GB70.1-M8x25	HEX HEAD SCREW M8X25	20306103	4	
27	GB276-6204	BEARING	21001059	2	
29	MRS80-804102	RETAINING RING	40504002	1	

## PARTS LIST 1 EMR70H SERIES

### GEARBOX CASING ASSEMBLY

#### EMR70H-BOM01-D

ITEM NO.	PART NO.	DESCRIPTION	ERP NO.	QTY	REMARK
31	GB3452.1-43.7x1.8	O-RING 43.7X1.8-GB3452.1	21101004	1	
32	MRS80-804004A	BEARING COVER	40502002	1	
35	EMR70.5104	PROTECTION FRAME, RIGHT	40207036	1	
36	GB894.1-35	RETAINING RING 35-GB894.1	20601014	1	
37	GB276-6007Z	BEARING 6007Z-GB276	21001052	1	
38	GB13871-FB40x52x8	SEAL 40X52X8-F GB13871	21106002	1	
39	GB3452.1-95x3.1	O-RING 95X3.1-GB3452.1	21101100	1	
40	EMR70-8000	SPACE	40501004	1	
41	MRS80-807000C	CLUTCH DRUM	40506002	1	
42	EMR70.9000	CLUTCH ASSY.	50301007	1	
43	MRS80-804202	RETAINING RING	40504001	2	
45	GB5783-M8x30	BOLT M8X30-GB5783	20102105	1	
47	MRS80-809006	WASHER	40504008	1	
49	EMR70.0002	BEARING COVER	40507001	1	
50	EMR70.0005.01	FLANGE	40501003	1	
51	GB97.1-10	WASHER 10-GB97.1	20501009	4	
52	GB93-10	SPRING WASHER 10-GB93	20509008	4	
53	GB5783-M10x40	BOLT M10X40-GB5783	20102156	4	
54	GB1096-6x20	KEY 5X25-GB1095	20901101	1	
55	GX160H1 SHK	HONDA GX160 ENGINE	41401071	1	
56	GB889.1-M8	LOCK NUT M8	20405004	4	
58	GB97.1-8	WASHER 8-GB97.1	20501007	8	
59	GB5783-M8x40	BOLT M8X40-GB5783	20102107	4	
60	EMR70.1011W	AIR CLEAN ASSY.	41402013	1	
61	EMR70.1012W	EXHAUST PIPE ASSY.	41002025	1	
62	EMR70.1013W	MULLFER MOUTING BRACKET	40303037	1	
63	GX160-005W	CARBURETOR	41002027	1	



## PARTS LIST 2 EMR70H SERIES

### FUEL TANK AND HANDLE ASSEMBLY

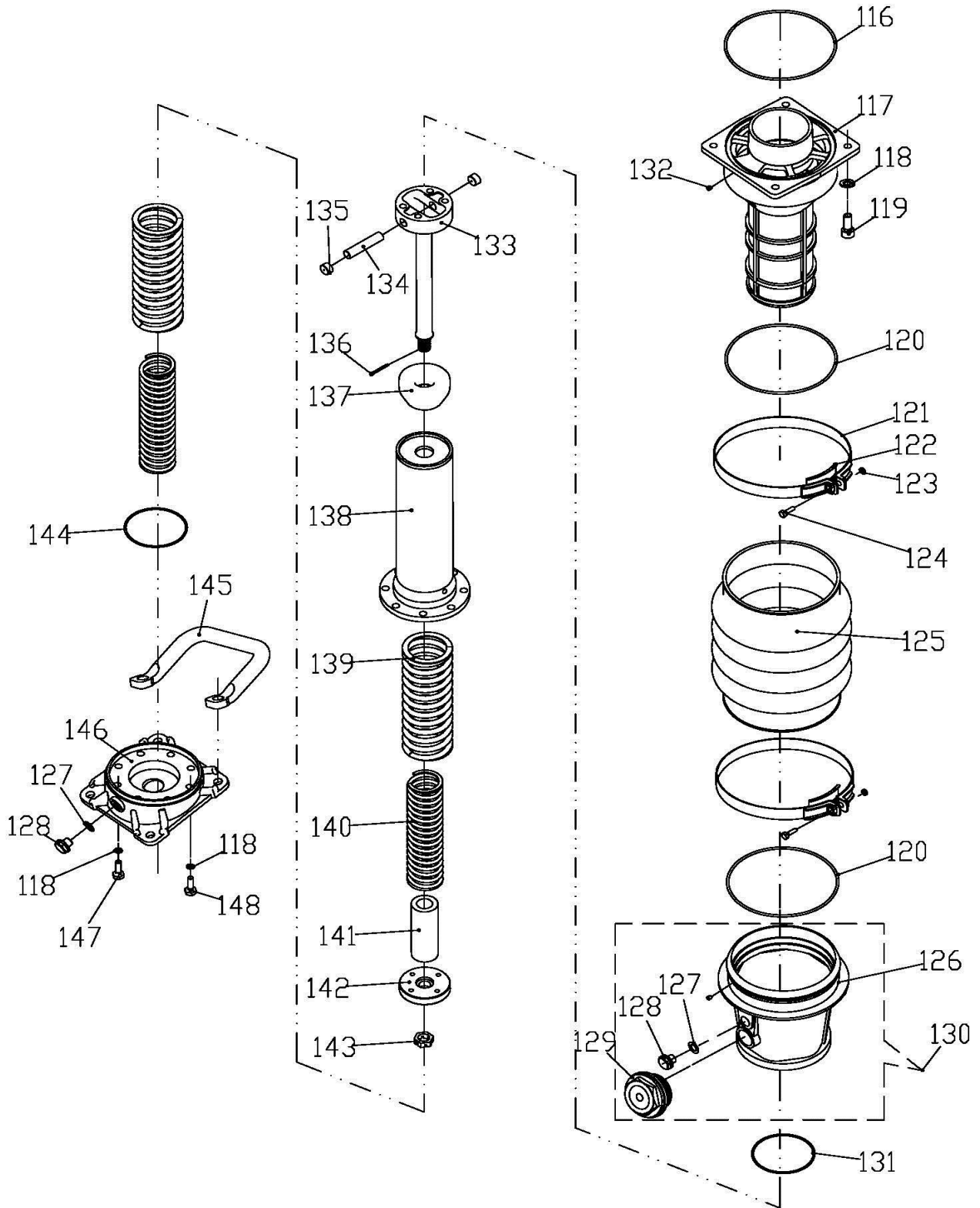
#### EMR70H-BOM02-D

ITEM NO.	PART NO.	DESCRIPTION	ERP NO.	QTY	REMARK
75	MRS80-801002NW	FUEL TANK CAP	40903054	1	
76	MRS80-801007A	OIL STRAINER	41402007	1	
77	MRS80-801006	CONNECTOR	41101001	1	
78	GB3452.1-14x3.55	O-RING 14X3.55-GB3452.1	21101150	1	
79	MRS80-801001	FUEL TANK	41206001	1	
80	GB97.1-14	WASHER 14-GB97.1	20501012	1	
81	GB6173-M14x1.5	NUT M14-GB6173	20407003	1	
82	MRS80-801009W	FUEL COCK	41403001	1	
83	MRS80-801011W	HOSE CLAMP	41406003	2	
84	MRS80-801390W	FUEL HOSE	41001120	1	
87	MRS80-801000W	FUEL TANK ASSY.	50201018	1	87 (75~81) . NO PIC
88	GB5783-M8x30	BOLT M8X30-GB5783	20102105	2	
89	GB93-8	SPRING WASHER 8-GB93	20509006	9	
90	GB97.1-8	WASHER 8-GB97.1	20501007	4	
91	GB889.1-M8	NUT M8-GB889.1	20405004	3	
92	EMR70.5000C	HANDLE ASSY	50301050	1	
93	MRS80-805004	RUBBER	41202003	1	
98	GB5783-M8x20	BOLT M8X20-GB5783	20102101	4	
99	GB6170-M6	NUT M6-GB6170	20401003	2	
100	GB93-6	SPRING WASHER 6-GB93	20509004	2	
101	GB70.3-M6x16	SCREEW	20308051	2	
102	GB5783-M6x30	BOLT M6X30-GB5783	20102056	1	
103	GB6170-M6	NUT M6-GB6170	20401003	1	
104	MRS80-9910A-02W	THROTTLE CONTROL HANDLE	21302008	1	
105	MRS80-9910A-01W	THROTTLE CONTROL HANDLE ASSY	50201011	1	
106	MRS80-9910A-03W	THROTTLE WIRE	40101052	1	
107	MRS80-9910A-04W	THROTTLE CONTROL BUSHING	49904014	1	
108	MRS80-9910A	THROTTLE CONTROL ASSY.	41403005	1	

# PARTS LIST 3 EMR70H SERIES

UNDER GUIDE ASSEMBLY

EMR70H-BOM03-D



EMR70H-BOM03-D

## PARTS LIST 3

### EMR70H SERIES

UNDER GUIDE ASSEMBLY

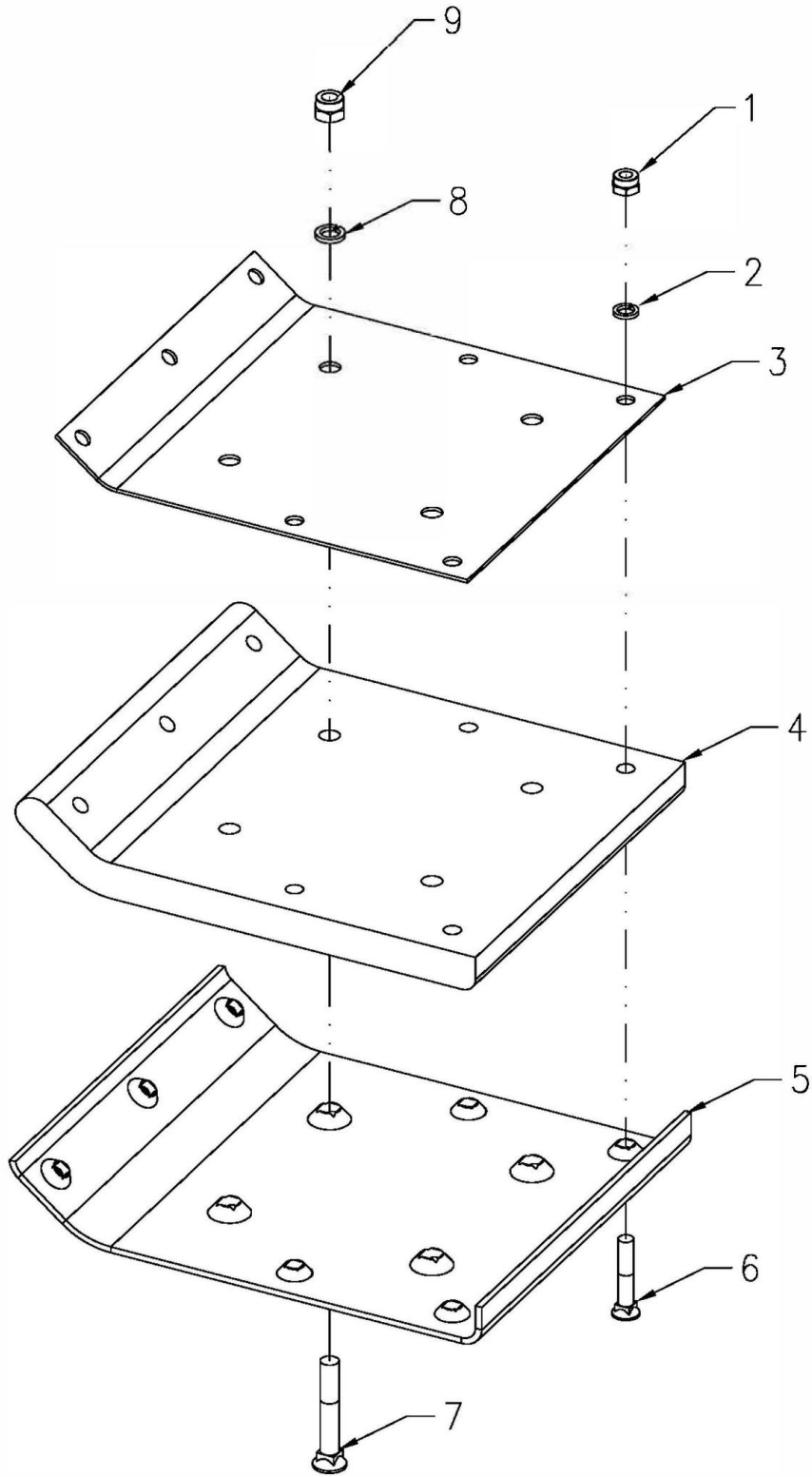
EMR70H-BOM03-D

ITEM NO.	PART NO.	DESCRIPTION	ERP NO.	QTY	REMARK
116	GB3452.1-160x5.3	O-RING 160X5.3-GB3452.1	21101200	1	
117	MRS80-803201B	GUIDE CYLINDER	40505001	1	
118	GB93-10	SPRING WASHER 10-GB93	20509008	12	
119	GB5783-M10X35	BOLT M10X35-GB5783	20102155	4	
120	GB3452.1-160x3.55	O-RING 160X3.55-GB3452.1	21101153	2	
121	MRS80-803204D	BELLOW CLAMP	40101001	2	
122	MRS62-3204C-04	SCALEBOARD	40102001	2	
123	GB6170-M8	NUT M8 GB6170	20401004	2	
124	GB5783-M8X40	BOLT M8X40-GB5783	20102107	2	
125	EMR70-803203	BELLOW	41205005	1	
126	MRS80-803111E	PROTECTION SLEEVE	40505002	1	
127	JB89-14	COPPER WASHER 14	21105004	1	
128	MRS80.GZ01	PLUG M14X1.5	40401001	1	
129	GB1160.2-M24x1.5	LEVEL GAUGE M24X1.5-GB1160.2	21110002	1	
130	MRS80-803112W	PROTECTION SLEEVECOMPONENTS	50201012	1	130 (126~129)
131	GB3452.1-95x2.65	O-RING 95X2.65-GB3452.1	21101055	1	
132	MRS80-803202	PIN	40402001	2	
133	MRS80-803301A	PISTON ROD	40406001	1	
134	MRS80-803302	PISTON PIN	40402002	1	
135	MRS80-803306	PISTON END CAP	41201038	2	
136	GB91-3.2x36	PIN 3.2X36 GB91	20805050	1	
137	MRS80-803304	STOPPER, UPPER	41202001	1	
138	MRS80-803102A	SPRING CYLINDER	40505004	1	
139	MRS80-803001D	SPRING, OUTER	40103002	2	
140	MRS80-803002D	SPRING, INNER	40103007	2	
141	MRS80-803305	STOPPER, LOWER	41201040	1	
142	MRS80-803303A	PISTON END	40705001	1	
143	GB6178-M18x1.5	NUT M18X1.5-GB6178	20410001	1	
144	GB3452.1-87.5x3.55	O-RING 87.5X3.55-GB3452.1	21101152	1	
146	MRS80-803101D	FOOT PLATE	40804001	1	
147	GB70.1-M10x20	HEXAGONAL BOLT M10X20-GB70.1	20306150	4	
148	GB70.1-M10x40	HEXAGONAL BOLT M10X40-GB70.1	20306158	4	



**PARTS LIST 4**  
**EMR70H SERIES**

FOOT ASSEMBLY  
EMR70H-BOM04-D



EMR70H-BOM04-D

**PARTS LIST 4**  
**EMR70H SERIES**

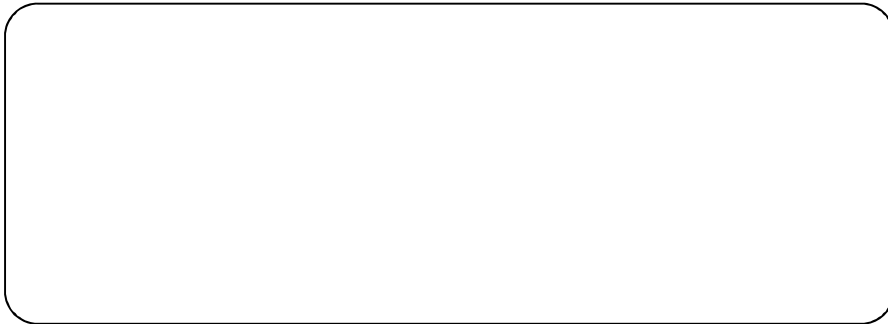
FOOT ASSEMBLY

EMR70H-BOM04-D

ITEM NO.	PART NO.	DESCRIPTION	ERP NO.	QTY	REMARK
1	GB889.1-M10	LOCK NUT M10	20405006	7	
2	GB93-10	SPRING WASHER 10	20509008	7	
3	PMR70RN.09-01	RAM PANEL	40207011	1	
4	PMR70RN.09-02	CRASH PAD	40207012	1	
5	PMR70RN.09-03	RAM PLATE	40207013	1	
6	MRS80-802005A	BOLTS M10x52	20103005	7	
7	MRS80-802004A-70	BOLTS M12x70	20103004	4	
8	GB93-12	SPRING WASHER 12	20509009	4	
9	GB889.1-M12	LOCK NUT M12	20405007	4	



*Distributed By*



MASALTA ENGINEERING CO., LTD

Add: 20 Dalian Road, Baohe Industrial Estate, Hefei, China

Tel: 86-551-64846600, 64846601 Fax: 86-551-64846616

E-mail: [sales@masalta.com.cn](mailto:sales@masalta.com.cn), [masalta@mail.hf.ah.cn](mailto:masalta@mail.hf.ah.cn),

[Http://www.masalta.com.cn](http://www.masalta.com.cn)