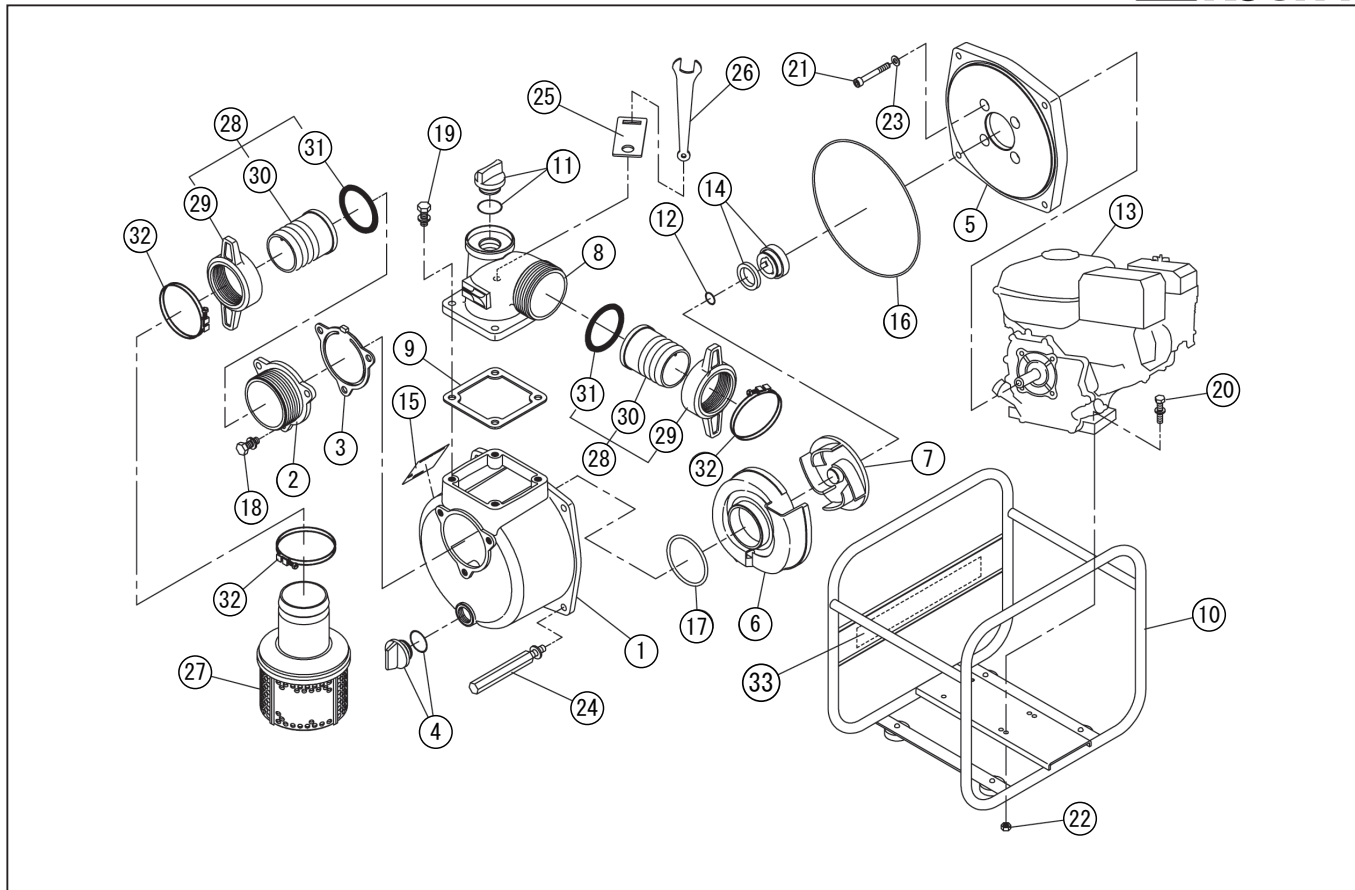


DWG No.012912203 MODELE : STV-80X FORM : STV-80X-BAA-0

No.	PARTS CODE	PARTS NAME	QTY	MATERIAL/SIZE	REMARKS
1	0120196	PUMP CASING	1	ADC	
2	0112797	SUCTION FLANGE	1	ADC	
3	0112799	CHECK VALVE	1	NBR	
4	0118078	20A PLUG SET	1		
5	0120931	FLANGE BRACKET	1	ADC	
6	0115541	VOLUTE CASING	1	FCD450	
7	0115539	IMPELLER	1	FCD450	
8	0110570	DELIVERY FLANGE	1	ADC	
9	0110584	DELIVERY FLANGE PACKING	1	CR	
10	0128367	BASE SET	1		
11	0118079	25A PLUG SET	1		
12	0110491	IMPELLER ADJUSTING WASHER	3	BSP	
13	0121273	ENGINE (WITH ALERT)	1	KOSHIN K180-3	
14	0115159	MECHANICAL SEAL	1	HJ-20(B)BSIC	
15	0121417	NAME PLATE	1		
16	0115015	O-RING	1	1517-46.5 NBR	
17	0113989	O-RING	1	P74 NBR	
18	743119061	HEXAGON BOLT	3	M10X25 SWRM	
19	743119063	HEXAGON BOLT	4	M10X30 SWRM	
20	743119053	HEXAGON BOLT	4	M8X40 SWRM	
21	734532075	HEXAGON SOCKET BOLT	4	M8X55 SCM CS	
22	827419008	HEXAGON NUT	4	M8 SWRM	
23	854255008	SEAL WASHER	4	φ8	
24	0115542	LONG BOLT	4	M10X160	
25	0115588	SPANNER HOLDER	1	17MM	
26	0115589	SPANNER	1	17MM	
27	0113242	STRAINER	1	SPC	
28	0117028	COUPLING SET	2		
29	0114375	COUPLING	2	ABS	
30	0110301	HOSE NIPPLE	2	ABS	

◆ Bare engine can not be supplied



DWG No.012912203 MODELE : STV-80X FORM : STV-80X-BAA-0

No.	PARTS CODE	PARTS NAME	QTY	MATERIAL/SIZE	REMARKS
31	0114378	COUPLING PACKING	2	NBR	
32	940019090	HOSE BAND	3	φ 90	
	0121418	PACKING CASE	1	K6	

◆ Bare engine can not be supplied