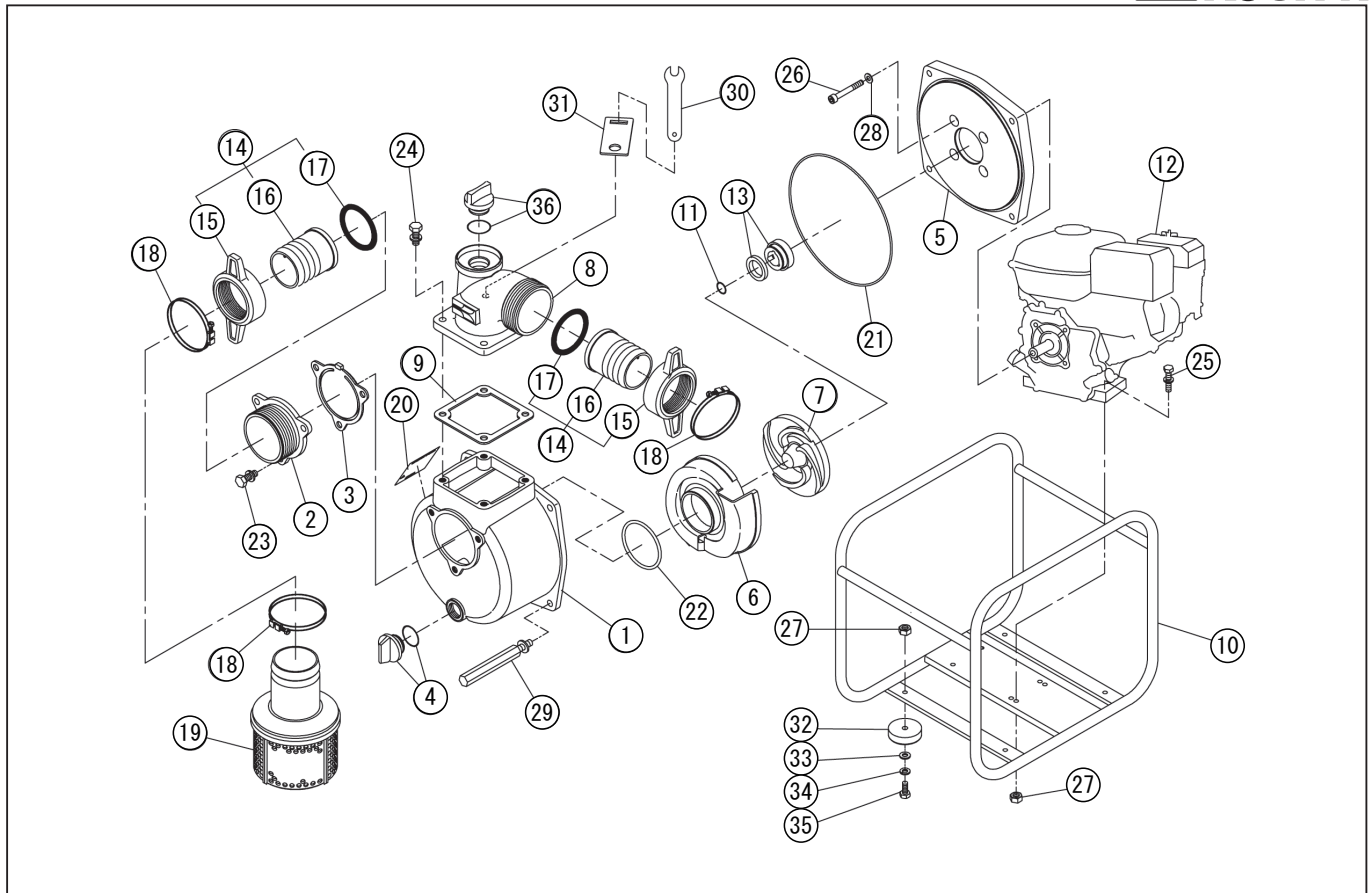


DWG No.012886209 MODELE:STH-80X FORM:STH-80X-BDW-2

No.	PARTS CODE	PARTS NAME	QTY	MATERIAL/SIZE	REMARKS
1	0120196	PUMP CASING	1	ADC	
2	0112797	SUCTION FLANGE	1	ADC	
3	0112799	CHECK VALVE	1	NBR	
4	0118078	20A PLUG SET	1		
5	0120931	FLANGE BRACKET	1	ADC	
6	0115541	VOLUTE CASING	1	FCD450	
7	0115539	IMPELLER	1	FCD450	
8	0110570	DELIVERY FLANGE	1	ADC	
9	0110584	DELIVERY FLANGE PACKING	1	CR	
10	0128335	BASE SET	1		
11	0110491	IMPELLER ADJUSTING WASHER	3	BSP	
12	0114303	ENGINE (WITH OIL ALERT)	1	HONDA GX160UT2WKT2	
13	0115159	MECHANICAL SEAL	1	HJ-20(B)BSIC	
14	0117028	COUPLING SET	2		
15	0114375	COUPLING	2	ABS	
16	0110301	HOSE NIPPLE	2	ABS	
17	0114378	COUPLING PACKING	2	NBR	
18	940019090	HOSE BAND	3	φ 90	
19	0113242	STRAINER	1	SPC	
20	0120021	NAME PLATE	1		
21	0115015	O-RING	1	1517-46.5 NBR	
22	0113989	O-RING	1	P74 NBR	
23	743119061	HEXAGON BOLT	3	M10X25 SWRM	
24	743119063	HEXAGON BOLT	4	M10X30 SWRM	
25	743119053	HEXAGON BOLT	4	M8X40 SWRM	
26	734532075	HEXAGON SOCKET BOLT (WITH WASHER)	4	M8X55 SCM CS	
27	827419008	HEXAGON NUT	8	M8 SWRM	
28	854255008	SEAL WASHER	4	φ 8	
29	0115542	LONG BOLT	4	M10X160	
30	0115589	SPANNER	1	17MM	

◆ Bare engine can not be supplied



DWG No.012886209 MODELE:STH-80X FORM:STH-80X-BDW-2

No.	PARTS CODE	PARTS NAME	QTY	MATERIAL/SIZE	REMARKS
31	0115588	SPANNER HOLDER	1	17MM	
32	0110515	CUSHION RUBBER	4	F-23	
33	846007008	WASHER	4	φ 83	
34	843822008	SPRING WASHER	4	φ 8	
35	735719148	HEXAGON BOLT	4	M8X20	
36	0118079	25A PLUG SET	1		
	0120022	PACKING CASE	1		

◆ Bare engine can not be supplied