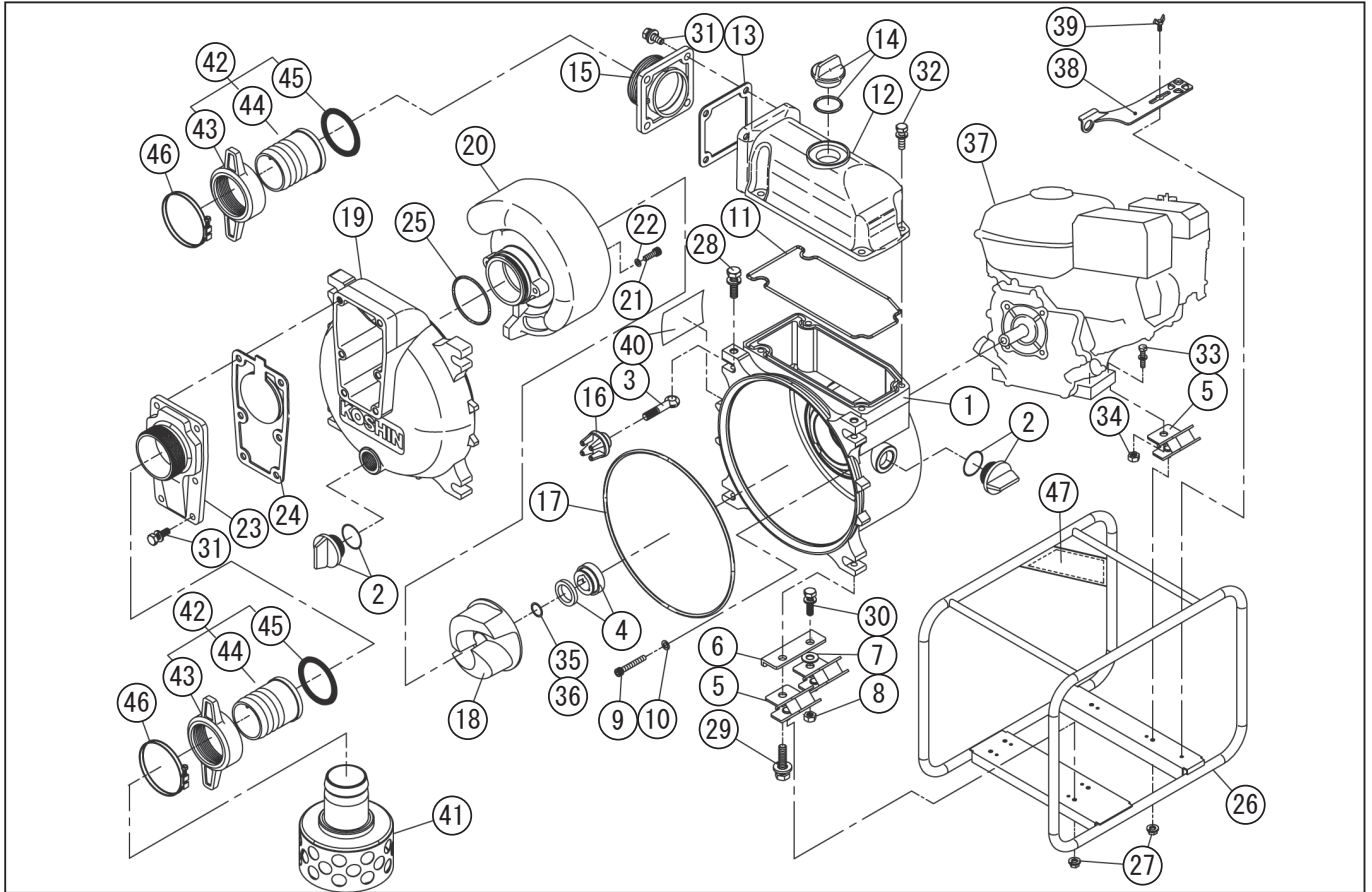


DWG No.012945601 MODELE : KTZ-100X FORM : KTZ-100X-BAA-0

No.	PARTS CODE	PARTS NAME	QTY	MATERIAL/SIZE	REMARKS
1	0116150	PUMP CASING	1	ADC	
2	0118079	25A PLUG SET	2		
3	0115580	COVER BOLT	4		
4	0115678	MECHANICAL SEAL	1		
5	0116172	CUSHION RUBBER	6	CR 60°	
6	0116273	RUBBER MOUNT	2	T4.5 SPC	
7	846211012	WASHER	2		
8	827419012	NUT	2	M12 SWRM	
9	0116492	FLANGE SOCKET BOLT	4	M8×50 SCM	
10	0116493	WASHER	4	A1100 PH14	
11	0123207	HEAD PACKING	1	NBR70°	
12	0116148	DELIVERY HOUSING	1	ADC	
13	0110750	FLANGE PACKING	1	CR	
14	0118450	32A PLUG SET	1		
15	0116188	SUCTION FLANGE (G)	1	ADC	
16	0115590	KNOB	4		
17	0123208	FRONT COVER PACKING	1	NBR	
18	0115626	IMPELLER	1	HRFC	
19	0116490	FRONT COVER	1	ADC	
20	0116488	VOLUTE CASING	1	FCD450	
21	0121539	SOCKET BOLT	3	M8×35 SUS	
22	0121540	WASHER	3		
23	0116268	SUCTION FLANGE (G)	1	ADC	
24	0118261	CHECK VALVE	1		
25	0123209	O-RING	1	NBR	
26	0127328	BASE SET	1		
27	842319008	SPRING NUT	6	M8 SWRM	
28	743119083	BOLT	2	M12×45 SWRM	
29	743119084	BOLT	2	M12×50 SWRM	
30	743119076	BOLT	2	M12×25 SWRM	

◆ Bare engine can not be supplied



DWG No.012945601 MODELE : KTZ-100X FORM : KTZ-100X-BAA-0

No.	PARTS CODE	PARTS NAME	QTY	MATERIAL/SIZE	REMARKS
31	743119080	BOLT	10	M12×35 SWRM	
32	743119063	BOLT	4	M10×30 SWRM	
33	743119067	BOLT	2	M10×40 SWRM	
34	827419010	NUT	2	M10 SWRM	
35	0110561	ADJUSTING WASHER	1	T0.3 BSP	
36	0116405	ADJUSTING WASHER	2	T0.1 BSP	
37	0123341	ENGINE	1	K420-C0-P	
38	0116204	TOOL	1	SPC	
39	741305153	WING BOLT	1	M8×15 SUS	
40	0123346	NAME PLATE	1		
41	0110979	STRAINER	1	SPC	
42	0117639	COUPLING SET	2	ADC	
43	0116189	COUPLING	2	ADC	
44	0110471	HOSE NIPPLE	2	ADC	
45	0111478	COUPLING PACKING	2	NBR	
46	940407120	HOSE BAND	3	4"	
47	0122307	SIDE PANEL LABEL	1		

◆ Bare engine can not be supplied