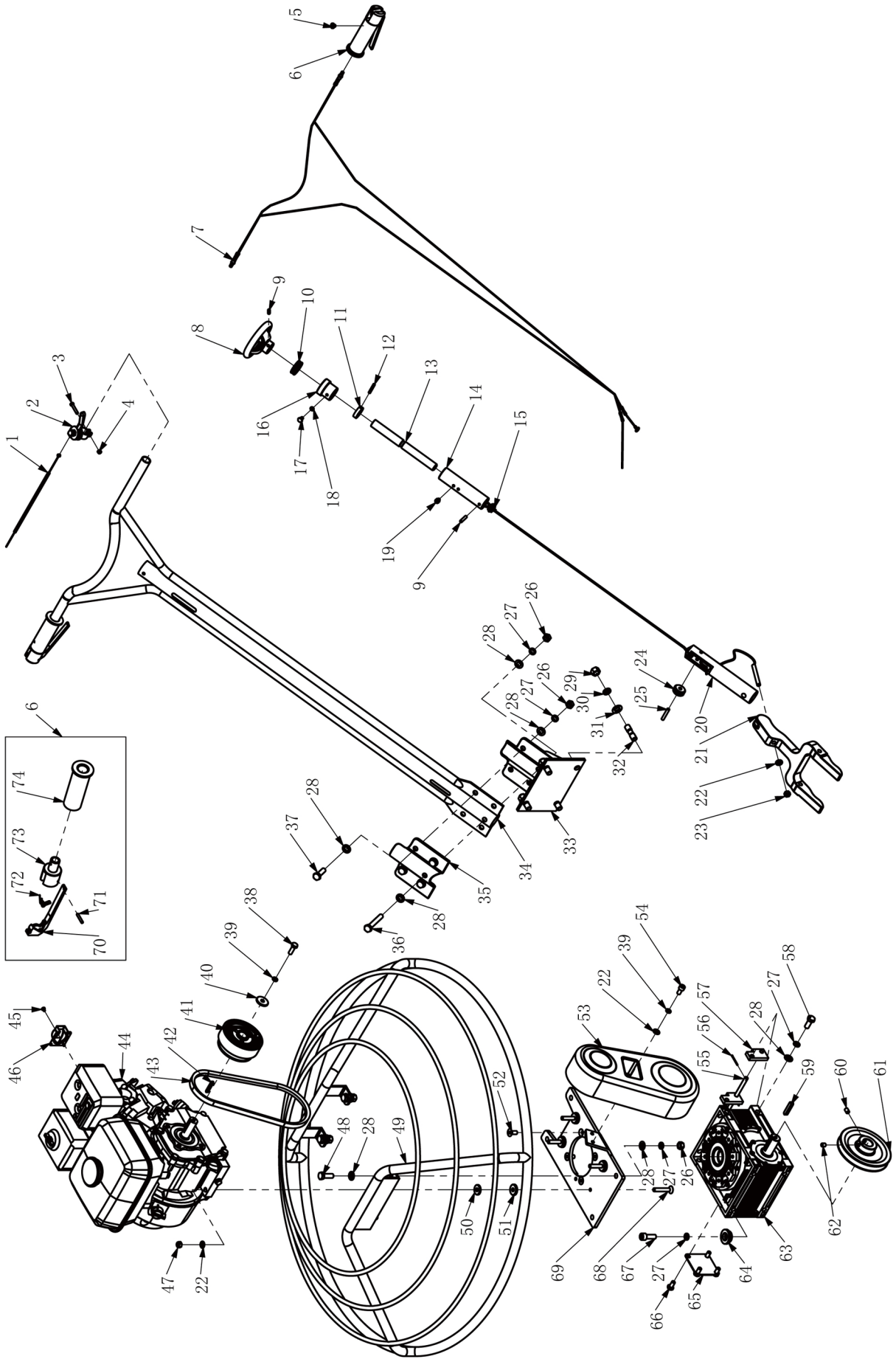


SPARE PARTS LIST



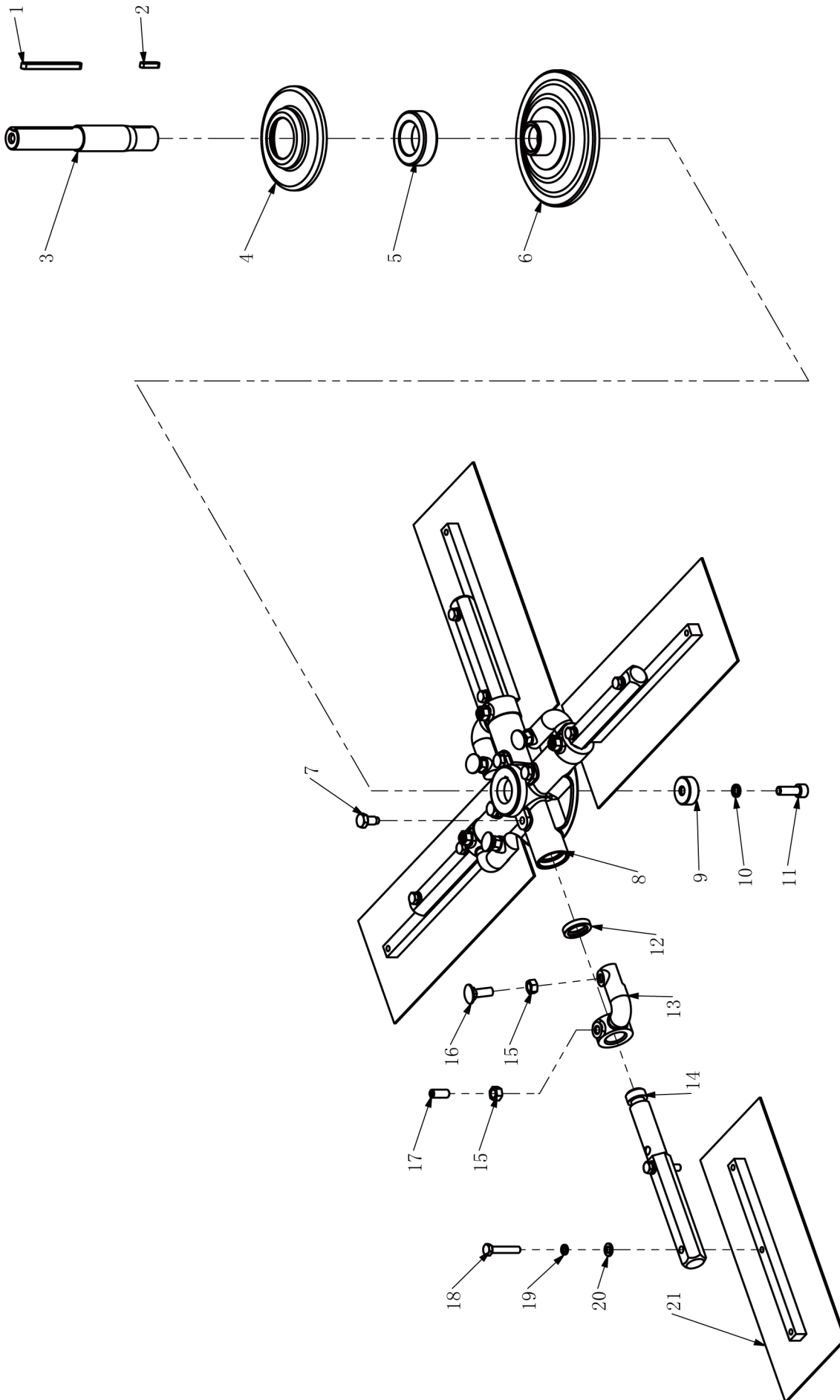
Handle, Frame and Engine

No.	Description	Drawing No.	Qty
1	Trottle Cable Assy.	2503-00027-4	1
2	Throttle Lever	2202-00008-4	1
3	Screw M5x30	16053001	1
4	Lock Nut M5	13050001	1
5	Bolt M6x6	16060601	2
6	Safety Switch Handle	2503-05000-1	2
7	Wire, Safety Switch Handle	2503-06000-1	1
8	Handle Wheel	2501-00018-4	1
9	Sping Pin Φ 5x30	19053001	2
10	Bearing 51104	2151104	1
11	Collar	2503-00023-1	1
12	Spring Pin Φ 4x30	19043001	1
13	Set Screw	2503-00024-4	1
14	Set Nut	2503-00019-1	1
15	Adjustment Cable	2503-03000-1	1
16	Bushing	2503-00020-1	1
17	Bolt M6x10	15060100	1
18	Spring Washer M6	12060000	1
19	Allen Screw M6x6	16060617	1
20	Wheel Bracket	2503-00017-1	1
21	Slide Arm	2503-00010-1	1
22	Washer M8	11080000	7
23	Nut M8	13080000	1
24	Roller	2503-00018-1	1
25	Pin Φ 6x35	19063502	1
26	Nut M10	13100000	9
27	Spring Washer M10	12100000	12
28	Washer M10	11100000	20
29	Nut M12	13120000	4
30	Spring Washer M12	12120000	4
31	Washer M12	11120000	4
32	Bolt M12x45	15124509	4
33	Handle Holder Base	2503-00012-4	1
34	Handle Assy.	2503-01000-4	1
35	Handle Holder Upper	2503-00013-4	1
36	Bolt M10x70	15100700	1
37	Bolt M10x35	15100350	4
38	Bolt M8x25	15080250	1
39	Spring Washer M8	12080000	3
40	Washer M8x30x3	11083003	1
41	Clutch Assy.	2501-11000-4	1
42	Key 5x35	12050535A	1
43	Belt	27AV13X719La	1
44	Engine	25160002	1
45	Screw M4x6	16040601	2

Handle, Frame and Engine

No.	Description	Drawing No.	Qty
46	Exhaust Outlet	18340-ZE1-010C	1
47	Lock Nut M8	13080001	4
48	Bolt M10x30	15100300	4
49	Frame Assy.	2503-02000-4	1
50	Washer M8x24x3	11082403	4
51	Washer M8x26x4	11082604	4
52	Allen Screw M8x20	16082004	4
53	Belt Cover	2503-00026-4	1
54	Allen Screw M8x16	16081503	2
55	Shaft, Slide Arm	2503-00011-1	1
56	Spring Pin 2x26	19022603	2
57	Support	2503-00009-1	2
58	Bolt M10x25	15100250	2
59	Key 8x40	20080740A	1
60	Bolt M8x12	16081205	1
61	Pulley	2502-00018-4	1
62	Set Screw M8x10	16081005	1
63	Gear Box	2502-00003-4	1
64	Cap	2503-00015-1	1
65	Cover	2502-00028-2	1
66	Bolt M8x16	15080160	4
67	Allen Screw M10x30	16103015	1
68	Allen Screw M8x50	16085018	4
69	Engine Plate	2503-00025-1	1
70	Safety Switch, Safety Switch Handle	2501-05001-4	1
73	Base, Safety Switch Handle	2503-05001-1	1
74	Handle Grip, Safety Switch Handle	2503-05002-4	1

SPARE PARTS LIST



Blade Assembly

No.	Description	Drawing No.	Qty
1	Key 8x90	20080790A	1
2	Key 6x28	20060628A	1
3	Reducer Shaft	2503-00005-1	1
4	Upper Cap, Bearing	2503-00008-1	1
5	Bearing 32909K	21329909K	1
6	Base Cap, Bearing	2503-00007-1	1
7	Bolt M10x20	2503-00004-1	4
8	Blade Base	2503-00006-1	1
9	Base Cap, Blade Base	2503-00014-1	1
10	Spring Washer M10	12100000	1
11	Allen Screw M10x30	16103015	1
12	Oil Sealing TCΦ25xΦ35x7	2525350702	4
13	Blade Arm Holder	2503-00002-1	4
14	Blade Arm	2503-00001-1	4
15	Nut M10	13100000	8
16	Bolt M10x35	15100354	4
17	Bolt M10x25	16102505	4
18	Bolt M8x45	15080450	8
19	Spring Washer M8	12080000	8
20	Washer M8	11080000	8
21	Blade	2503-00003-4	4